

Danfoss Service Thermostats

For all types of refrigeration and freezing appliances

Always proved to be unique...

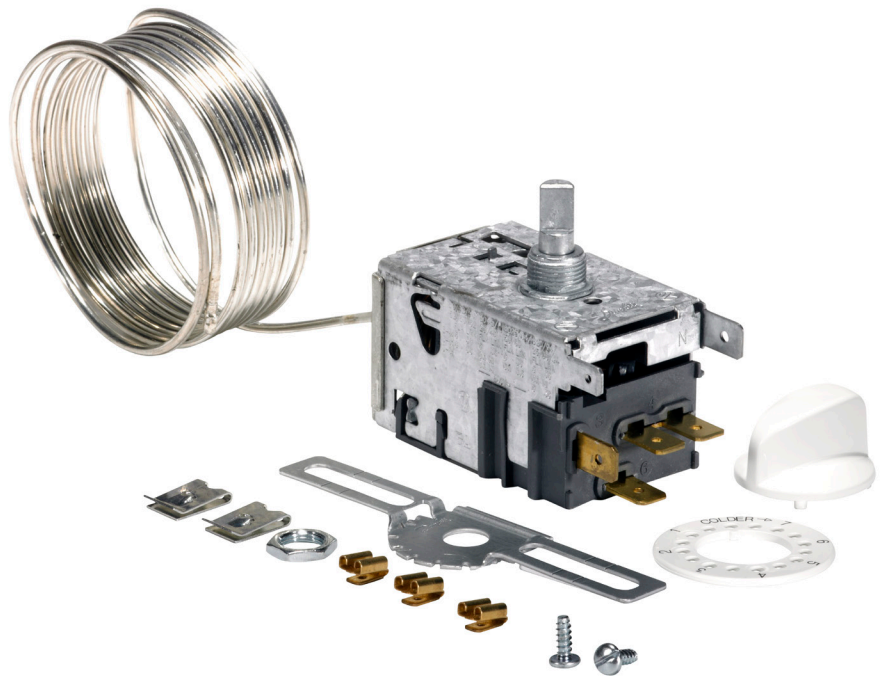
Eight Danfoss service packs are enough for thermostat servicing on all types of refrigeration and freezing appliances – and make spare parts catalogues, cross reference lists and temperature tables unnecessary.

The Service Thermostats and the necessary accessories are contained in practical boxes complete with electrical diagram and drawings of contents.

The Service Thermostats have a wider regulating range than the standard thermostats.

They enable servicing on all refrigerating and freezing appliances independent of the make of thermostats.

The Service Thermostats have differentials that ensure sufficient standstill. This means there is no risk of damaging the compressor.



Danfoss Service Thermostats - providing benefits to all

ENGINEERING
TOMORROW



The Wholesaler

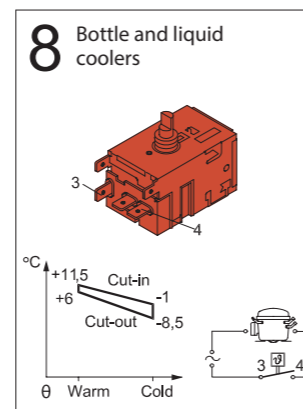
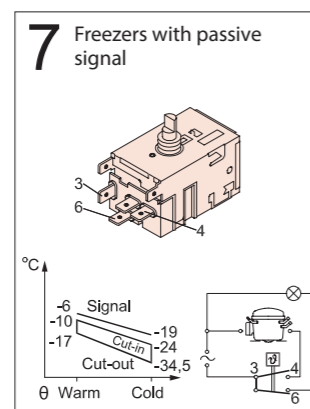
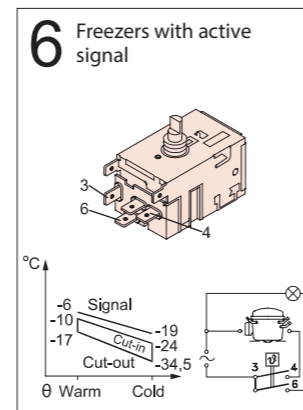
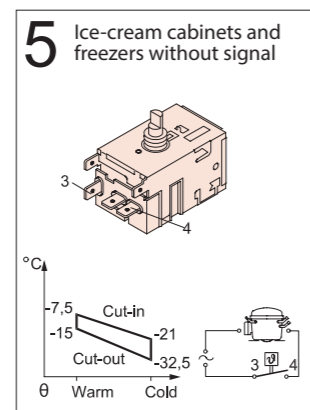
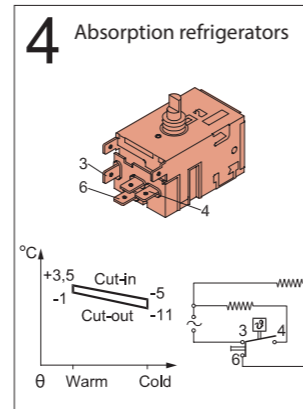
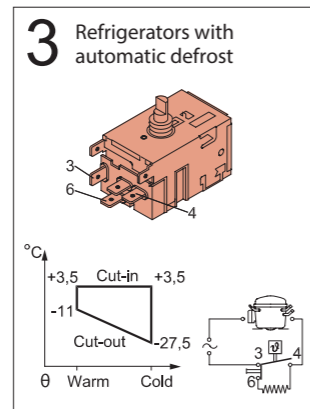
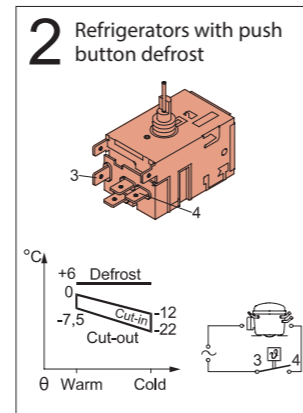
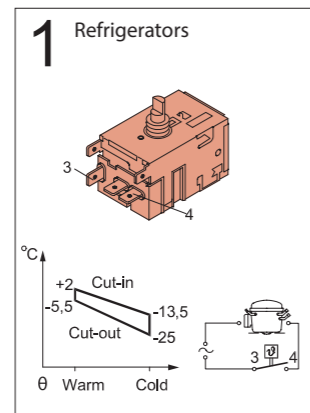
- Bar coded
- Logical numbering systems
- Easy stock control!

The Installer

- Only 8 different kits
- Satisfies most applications
- Contains *all* necessary mounting accessories
- No time wasted!
- All marked with kit number (1-8)
- Adaptor fits both 6.3mm and 4.8mm

End User

- Materials designed for recycling
- No CFC
- Environmentally friendly



Ordering and conversion table

Application	Temperatures [°C]				Accessories							Capillary tube length [m]	Remarks	Code no.
	Warm pos. cut-in/cut out	Cold pos. cut-in/cut out	Signal pos. warm	Defrosting	Washer	Small knob	Push button	Mounting bracket	Seal cap	Small parts	Adaptor			
Refrigerators	+2/-5.5	-13.5/-25			•	•		•		•	•	1.3		1 077B7001
Refrigerators with pushbutton defrost	0/-7.5	-12/-22		+6	•	•	•	•		•	•	1.3		2 077B7002
Refrigerators with automatic defrost	+3.5/-11	+3.5/-27.5			•	•		•		•	•	1.6	With auxiliary switch	3 077B7003
Absorption refrigerators	+3.5/-1	-5/-11			•	•		•		•	•	1.5	With auxiliary switch	4 077B7004
Ice-cream cabinets and freezers without signal	-7.5/-15	-21/-32.5				•		•	•	•	•	2.3		5 077B7005
Freezers with active signal	-10/-17	-24/-34.5	-6			•		•	•	•	•	2.3	With auxiliary switch	6 077B7006
Freezers with passive signal	-10/-17	-24/-34.5	-6			•		•	•	•	•	2.3	With passive signal	7 077B7007
Bottle and liquid coolers	+11.5/+6	-1/-8.5			•	•		•	•	•	•	2.0		8 077B7008

Application	Danfoss	Atea	General Electric	Ranco	Robertshaw	Matsushita	Saginomiya	Pacific Controls	Code no.
Refrigerators	090B0 077B0	M2 N2 A01	3ART49R 3ART5	A10/VC1 A50/WK1 K50	RC31 RC-1	A-1-270	ARB/ATB	PFN	1 077B7001
Refrigerators with pushbutton defrost	090B4 077B4	S2		F50/VP4 K60	RC-0	A-3-8000	CRB	PFR	2 077B7002
Refrigerators with automatic defrost	090B6 077B6 090B62 077B62 077B64	C2 C3 C19 C28	3ART6 3ART29	A59/VT9 K59/WK9	RC35 RC-2 RC-9	A-2-3600	DRB	PFC	3 077B7003
Absorption refrigerators	090B12 077B02	A11	ART32	A13/VA2 K57	RC-6				4 077B7004
Ice-cream cabinets and freezers without signal	090B0 077B0 090B5 077B045	M2 N2	3ART49R 3ART5 3ART21	A10/VF3 A50 K50	RC31 RC34-1 RC-5			PFN	5 077B7005
Freezers with active signal	090B10 077B20	L3C L3A	3ART32 3ART7	A54/V55 A63 K54 K59	RC5	A-7-8400			6 077B7006
Freezers with passive signal	090B10 077B30	L3C L3A	3ART32 3ART7	A54/VR6 A63 K54 K59	RC5	A-7-8400			7 077B7007
Bottle and liquid coolers	090B0 077B0			VB7					8 077B7008

Danfoss can accept no responsibility for possible errors in catalogues, brochures and other printed material. Danfoss reserves the right to alter its products without notice. This also applies to products already on order provided that such alterations can be made without consequential changes being necessary in specifications already agreed. All trademarks in this material are property of the respective companies. Danfoss and the Danfoss logotype are trademarks of Danfoss A/S. All rights reserved.