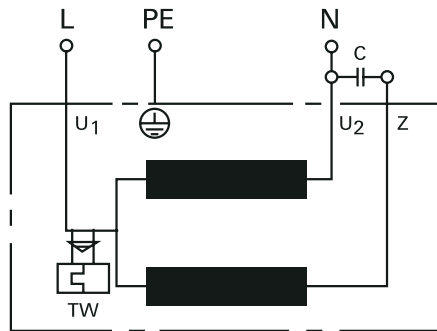


ebm 1

Single-phase AC-motor with capacitor

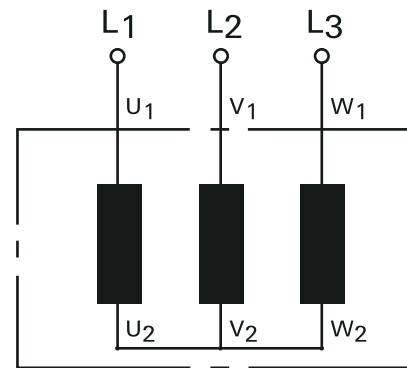


U₁ blue U₂ black
Z brown ⊕ green/yellow

ebm 2

Three-phase motor

Y* connection



U₁ black U₂ green V₁ blue V₂ white
W₁ brown W₂ yellow ⊕ green/yellow

The following connection diagrams cover some of the more specialized motors:

ebm 3 CAUTION

3 phase Delta connection

U₁ black U₂ green V₁ blue
V₂ white W₁ brown W₂ yellow

ebm 4

Single phase shaded pole

bl blue br brown

ebm 5

Single phase 3 Speed

⊕ green/yellow bl blue
br brown gb yellow SW₂ black #2 SW₃ black #3 SW₅ black #5

CAUTION: Most single speed 3 phase ebm-papst motors must be connected in "Y" star

Photos and drawings may not be a correct representation of all products.

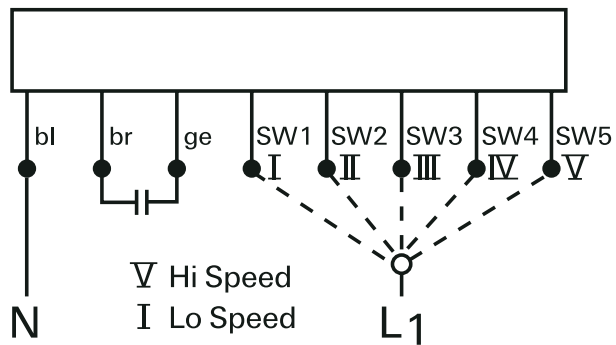
- Wiring Connection Diagrams
- Velocity Pressure / Hooke's Law
- Refrigerant Pressure - Temperature
- Oven Fan
- Pumps (Evaporative Cooler)
- Forward Curved Radial
- Backward Curved Radial
- "Q" Motor
- ESM Motor & Fan
- Axial Compact
- Basket Grille Axial
- Square & Round Plate Axials
- Axial Fan
- Part Number Locations
- ebm-papst Part No.s
- What fan is that?

Wiring Connection Diagrams

ebmpapst

ebm 6

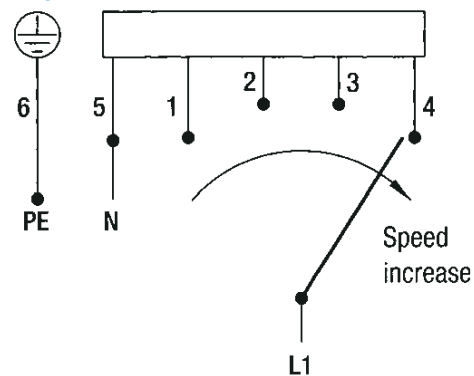
Single phase 5 Speed



bl blue br brown ge yellow SW1 white
 SW2 red SW3 grey SW4 orange SW5 black

ebm 7

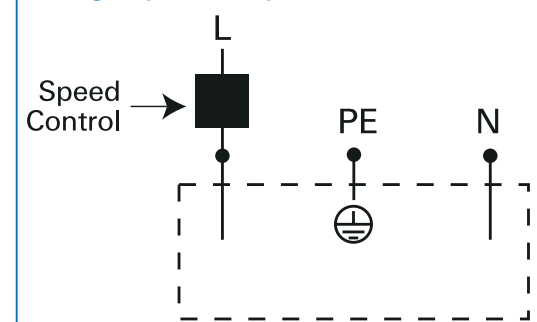
4 speed control



Connection Diagram When changing speeds, the switch must break the circuit

ebm 8

Single phase speed control



Speed controllers for single phase ebm-papst motors should be installed in the active line in series with the motor.