



Model: EMT6144GK
Code: 513306214

embraco POWER IN.
CHANGE ON

Type:	On-off
Voltage [V] / Frequency [Hz] / Phases	220-240 V 50 Hz 1 ~
Refrigerant:	R-404A
Application:	MBP

Motor type:	--
Starting torque:	HST
HP:	1/4-
Displacement:	3.97 cm ³

OPERATING CONDITION : ARI HBP

Evaporation Temp.	7.2 °C	Return Temp.	18.3 °C	Superheating	11.1 K
Condensing Temp.	54.4 °C	Liquid Temp.	54.4 °C	Subcooling	0.0 K

Cooling capacity	Power consumption	Mass flow rate	Efficiency
552.41 W	299.25 W	20.95 kg/h	1.85 W/W

APPLICATION

Evaporating temperature range:	-20 to 10 °C	Cooling type:	Fan Cooling
Permanent operating temperature (peak) :	55 (60) °C	Air Flow	--
Expansion device:	Capillary tube or Expansion valve	Maximum motor temperature:	130 °C

ELECTRICAL DATA

Start winding resistance at 25°C (77°F):	21.1 Ω +/- 8%	Run winding resistance at 25°C (77°F):	14.4 Ω +/- 8%
FLA - full load amperage L/MBP [A] 50 Hz / 60 Hz:	2 / -	LRA (A) 50 Hz / 60 Hz:	7.7 / -
		FLA - full load amperage HBP [A] 50 Hz / 60 Hz:	1.85 / -

MECHANICAL DATA

Bore:	19 mm	Stroke:	7 mm
		Displacement:	3.97 cm ³

OTHER INFORMATION

Weight:	7.6 kg	Oil charge:	180 ml
Lubricant type:	Polyolester ISO22	Nitrogen charge:	Yes

EXTERNAL SETTINGS

	Shape	Material	Diameter [mm]
Suction connector	Slanted 42° up + 45° to Back	Copper	6.10
Discharge connector	Slanted parallel BP+24°to Back	Copper	4.94
Process connector	Slanted 45° up + 45° to Back	Copper	6.10
Base plate:	European Standard EUEM	Tray holder:	Yes

PERFORMANCES AT STANDARD CHECK-POINTS

Checkpoint	Cooling capacity	Power consumption	Gas flow rate	Cooling Efficiency	Heating capacity +/-	Heating Efficiency
	+/-5% W	+/-5% W	+/-5% kg/h	+/- 7% W/W	5%* W	+/- 7% W/W
ARI HBP	552.41	299.25	20.95	1.85	700.00	2.34
ARI MBP	349.65	235.91	12.93	1.48	466.23	1.98
ASHRAE CBP	409.93	227.24	11.25	1.80	539.35	2.37
ASHRAE HBP 32	804.12	285.43	19.67	2.82	955.62	3.35
ASHRAE HBP 46	684.92	282.81	19.43	2.42	837.05	2.96
CECOMAF HBP	542.33	278.47	18.02	1.95	692.13	2.49
EN12900 HBP**	602.80	262.70	18.43	2.29	742.88	2.83
EN12900 MBP**	377.30	201.72	10.36	1.87	489.25	2.43

* Calculations performed considering isentropic compression and a housing loss of 10%. This is an estimated heat amount discarded in the discharge pipe and the condenser combined.

CONDENSING TEMP. 35 °C**(SUBCOOLING : 0 K, RETURN TEMP.: 32 °C)**

Evaporating temperature °C	Cooling capacity	Power consumption	Gas flow rate	Cooling Efficiency	Heating capacity +/-	Heating Efficiency
	+/-5% W	+/-5% W	+/-5% kg/h	+/- 7% W/W	5% * W	+/- 7% W/W
-20.00	294.61	160.33	7.08	1.84	380.27	2.37
-15.00	362.05	171.79	8.76	2.11	454.44	2.65
-10.00	441.96	182.71	10.77	2.42	540.02	2.96
-5.00	536.58	192.58	13.18	2.79	638.85	3.32
0.00	647.97	200.54	16.08	3.23	752.45	3.75
5.00	778.33	205.54	19.54	3.79	882.34	4.29
10.00	930.16	206.25	23.68	4.51	1,030.30	5.00

CONDENSING TEMP. 45 °C**(SUBCOOLING : 0 K, RETURN TEMP.: 32 °C)**

Evaporating temperature °C	Cooling capacity	Power consumption	Gas flow rate	Cooling Efficiency	Heating capacity +/-	Heating Efficiency
	+/-5% W	+/-5% W	+/-5% kg/h	+/- 7% W/W	5% * W	+/- 7% W/W
-20.00	249.35	170.39	6.75	1.46	343.05	2.01
-15.00	308.95	186.25	8.42	1.66	412.43	2.21
-10.00	377.30	201.72	10.36	1.87	489.25	2.43
-5.00	457.42	217.01	12.68	2.11	576.69	2.66
0.00	551.62	231.75	15.47	2.38	676.82	2.92
5.00	662.00	245.22	18.81	2.70	791.21	3.23
10.00	790.73	256.41	22.83	3.08	921.38	3.59

CONDENSING TEMP. 55 °C**(SUBCOOLING : 0 K, RETURN TEMP.: 32 °C)**

Evaporating temperature °C	Cooling capacity	Power consumption	Gas flow rate	Cooling Efficiency	Heating capacity +/-	Heating Efficiency
	+/-5% W	+/-5% W	+/-5% kg/h	+/- 7% W/W	5% * W	+/- 7% W/W
-20.00	194.22	172.52	6.09	1.13	289.18	1.68
-15.00	250.39	195.46	7.92	1.28	360.78	1.85
-10.00	309.45	216.28	9.88	1.43	431.94	2.00
-5.00	375.91	236.77	12.14	1.59	508.79	2.15
0.00	452.78	257.53	14.81	1.76	594.81	2.31
5.00	542.33	278.47	18.02	1.95	692.13	2.49
10.00	646.52	299.11	21.88	2.16	802.23	2.68

ELECTRICAL ACCESSORIES

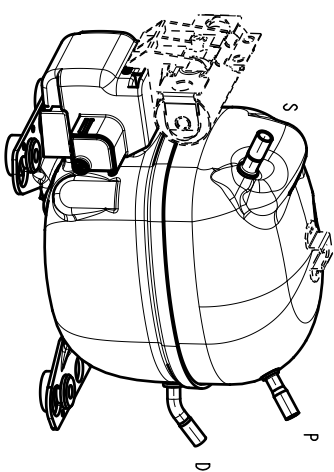
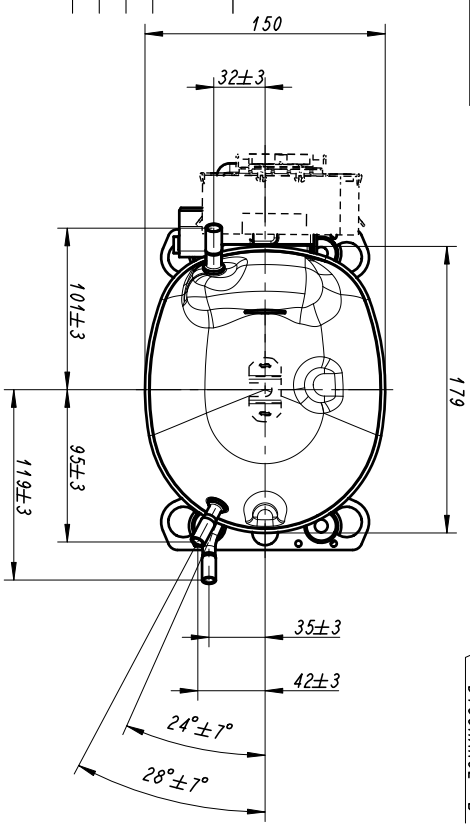
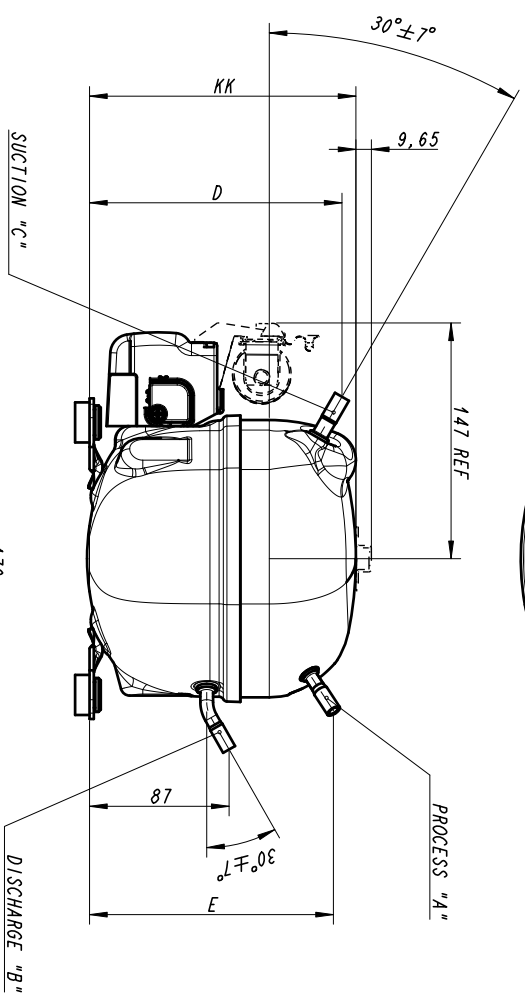
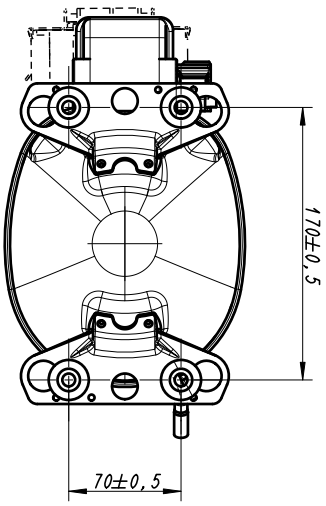
Kit:	1
Starter device:	_____
Engineering code:	_____
Run capacitor:	--
Starting capacitor:	--

Thermal protector: _____

If purchased without electricals consult Embraco to verify the supplier of electricals approved for this compressor

MECHANICAL ACCESSORIES

Rubber damper:	Yes	Metal bushing:	Optional
----------------	-----	----------------	----------



171	Ø6,5 (INT.)	Ø4,94 (INT.)	Ø6,5 (INT.)	162	157	
166	Ø6,5 (INT.)	Ø4,94 (INT.)	Ø6,5 (INT.)	157	152	
155	Ø6,5 (INT.)	Ø4,94 (INT.)	Ø6,5 (INT.)	146	141	
KK	A	B	C	D	E	MODELS

embraco

COMMERCIAL DRAWING
EM - AMERICA (EU)

MATERIAL :
CODE :
DRAWN : JAQUELINE SOUZA MAY. 27. 2015
APP. :

NAME
UNLESS OTHERWISE STATED, ALL DIMENSIONS ARE IN mm

GEN. TOL. :
ANG. TOL. :
SCALE : 3:10
REPLACE
No. 51.330.2000.16

ECM	REVISION	LO	BY	APP	DATE

THIS MATERIAL IS CONFIDENTIAL AND PROPRIETARY TO WHIRLPOOL S/A-EMBACO BUSINESS UNIT AND MAY NOT BE REPRODUCED, DISCLOSED, DISTRIBUTED OR USED WITHOUT PERMISSION.