

FE2owlet

for single phase alternating current, 4 pole

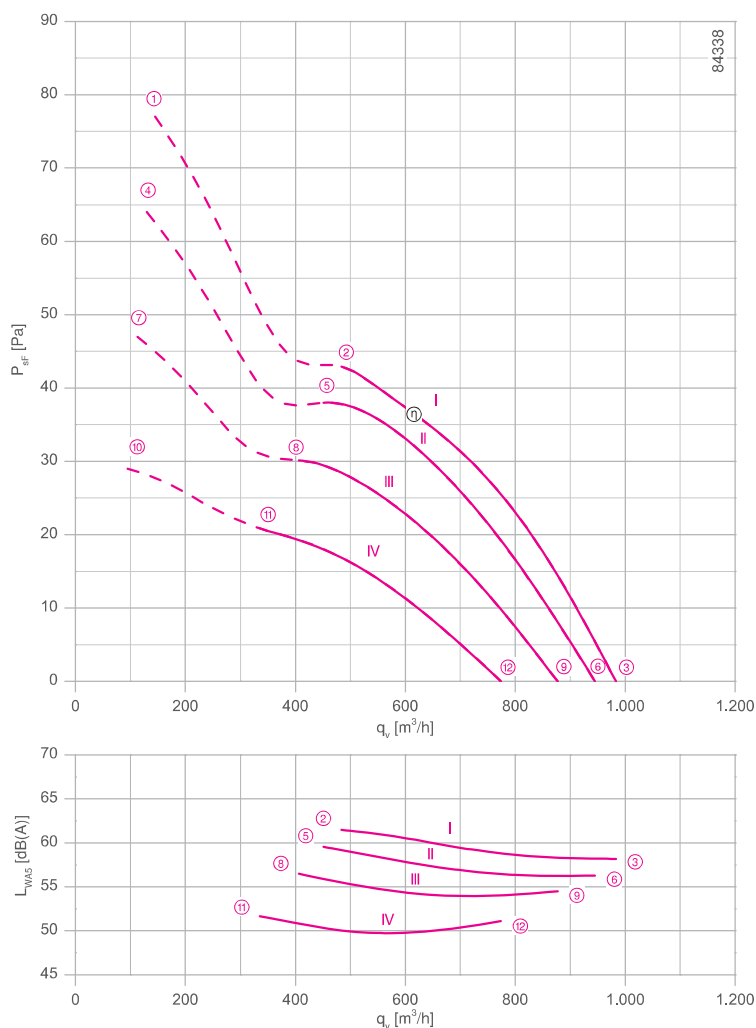
FN025-4E



Description

Motor technology: AC
 Rated voltage U_N : 1~ 230 V*
 Rated frequency f_N : 50 Hz* (60Hz data available)
 Input power P_i : 0.05 kW*
 Rated current I_N : 0.24 A*
 Rated speed n_N : 1370 min⁻¹*
 Starting current I_s : 0.40 A
 Current increase ΔI : 0 %
 Service capacitor C_{400V} : 1.5 μ F
 Thermal class: THCL155*
 Min. permitted ambient temperature $t_{R(min)}$: -40 °C***
 Max. permitted ambient temperature $t_{R(max)}$: 55 °C
 Electrical connection: Supply cable variable 45 cm
 Number of blades: 7
 Motor protection: thermal contact
 Blades: High Performance Composite Material, uncoated, black
 Rotor: Aluminium, 1 coat paint, ultramarine blue
 Conformity: CE
ErP-data
 Not subject to the regulations of ErP directive ($P_i < 125$ W)
 * Rated data
 *** Continuous operation with occasional starts (S1) according to DIN EN 60034-1:2011-02. Occasional starting between -40 °C and -25 °C is permissible. Continuous operation below -25 °C only with special bearings for refrigeration applications on request.

Characteristic curve



Measured in full bell mouth without guard grille in installation type A according to ISO 5801

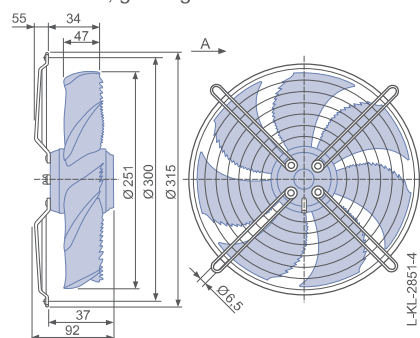
Connection diagram Page 532
1360-177X

System components Page 430

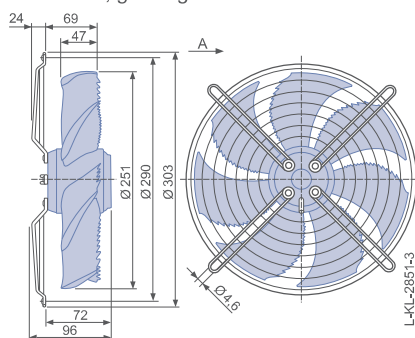
Dimensions mm

Airflow direction A

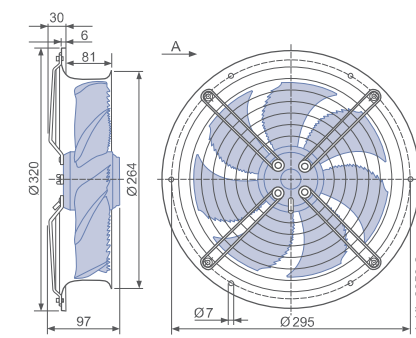
Design W - axial bolted, mounting for short bell mouth, guard grille suction side



Design D - axial bolted, suspension for full bell mouth, guard grille suction side



Design L - round full bell mouth, guard grille suction side



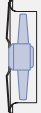





Performance data

Type	Characteristic curve	Voltage	Operating point	Current	Input power	Speed	Suction side sound power level L_{WA5} dB(A)
		U V		I A	P_1 W	n min ⁻¹	
FN025-4E_W8_7	I	230	①	0.24	50	1330	
		230*	②	0.24*	48*	1370*	62
		230	③	0.23	46	1400	58
	II	170	④	0.19	32	1210	
		170	⑤	0.17	28	1280	60
		170	⑥	0.16	26	1340	56
	III	135	⑦	0.18	24	1030	
		135	⑧	0.16	22	1150	57
		135	⑨	0.14	19	1250	55
	IV	110	⑩	0.17	18	820	
		110	⑪	0.16	17	960	52
		110	⑫	0.14	15	1110	51

*rated data

Fan ordering information

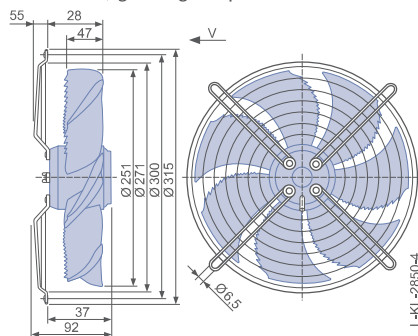
	Airflow direction A			Airflow direction V		
Design	W (guard grille suction side)	D (guard grille suction side)	L (guard grille suction side)	K (guard grille pressure side)	I (guard grille pressure side)	H (guard grille pressure side)
						
Type Article no.	FN025-4EW.W8.A7 139726	FN025-4ED.W8.A7 139712	FN025-4EL.W8.A7 139719	FN025-4EK.W8.V7 139754	FN025-4EI.W8.V7 139740	FN025-4EH.W8.V7 139747
Weight kg	2.50	2.30	3.30	2.50	2.30	3.30

Control technology

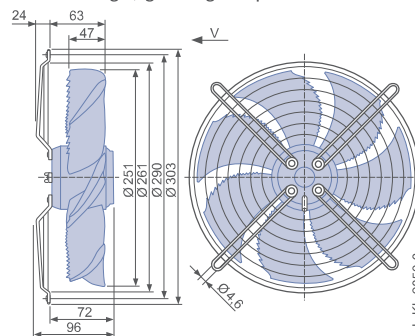
<p>Frequency inverters Fcontrol 1~</p>  <p>Page 474</p>	<p>Motor protection units 1~</p>  <p>Page 518</p>	<p>Electronic voltage controllers 1~</p>  <p>Page 492</p>
--	--	--

Airflow direction V

Design K - axial bolted, mounted for short bell mouth, guard grille pressure side



Design I - axial bolted, mounting for bell mouth flange, guard grille pressure side



Design H - pipe sockets with a flange, guard grille pressure side

