

FE2owlet

for single phase alternating current, 4 pole

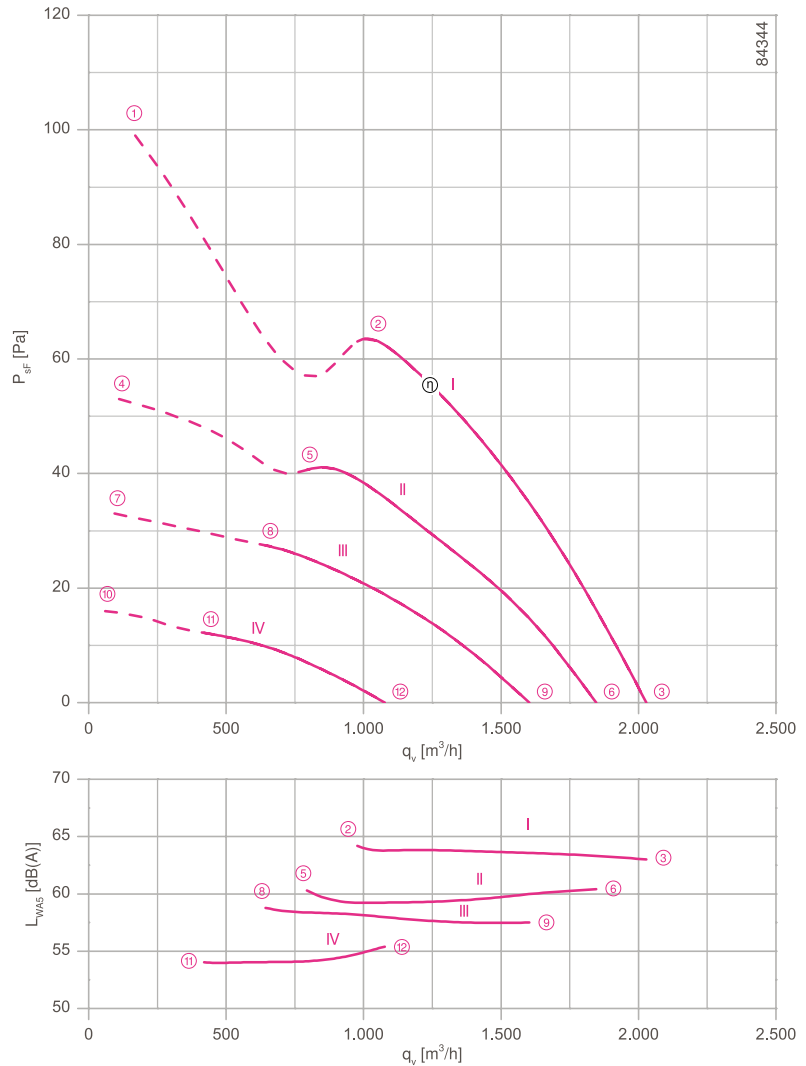
FNO30-4E



Description

Motor technology: AC
 Rated voltage U_N : 1~ 230 V*
 Rated frequency f_N : 50 Hz* (60Hz data available)
 Motor input power P_1 : 0.09 kW*
 Rated current I_N : 0.39 A*
 Rated speed n_N : 1290 min⁻¹*
 Starting current I_A : 0.63 A
 Current increase ΔI : 0 %
 Service capacitor C_{400V} : 2.0 μ F
 Thermal class: **THCL155***
 Min. permitted conveyor temperature $t_{R(min)}$: -40 °C
 Max. permitted conveyor temperature $t_{R(max)}$: 60 °C
 Electrical connection: Supply cable variable 45 cm
 Number of blades: 7
 Motor protection: Thermal contact
 Blades: High Performance Composite Material, uncoated, black
 Rotor: Aluminium, 1 coat paint, Ultramarine blue
 Conformity: CE
ErP Data
 Is not subject to the ErP Guidelines ($P_1 < 125$ W)
 * Rated data

Characteristic curve



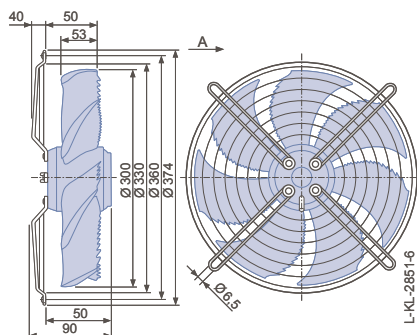
Measured in full bell mouth without guard grille in installation type A according to ISO 5801.

- Connection diagram 1360-177X Page 609
- System components Page 524

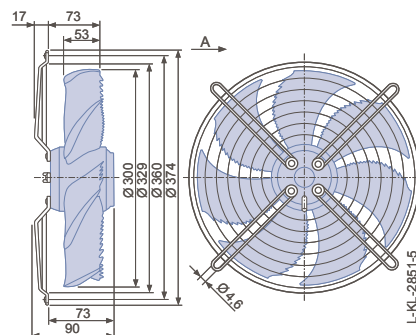
Dimensions [mm]

Airflow direction A

Design W - axial bolted, mounting for short bell mouth E



Design D - axial bolted, suspension for full bell mouth Q and L



Design L - round, full bell mouth

