

FE2owlet

for three phase alternating current, 4-4 pole

FN035-VD



Description

Motor technology: AC
 Rated voltage U_N : 3- 400 V (Δ/Y) ± 10 %*
 Rated frequency f_N : 50 Hz* (60Hz data available)
 Motor input power P_1 : 0.19/0.14 kW*
 Rated current I_N : 0.40/0.23 A*
 Rated speed n_N : 1390/1170 min⁻¹*
 Starting current I_a : 1.60 A / 0.55 A
 Current increase ΔI : 0 %
 Thermal class: THCL155*
 Min. permitted conveyor temperature $t_{R(min)}$: -40 °C
 Max. permitted conveyor temperature $t_{R(max)}$: 70 °C
 Electrical connection: Terminal box
 Number of blades: 7
 Protection class: IP54
 Motor protection: Thermal contact
 Blades: High Performance Composite Material, uncoated, black
 Rotor: Aluminium, 1 coat paint, black
 Conformity: ErP 2015, CE

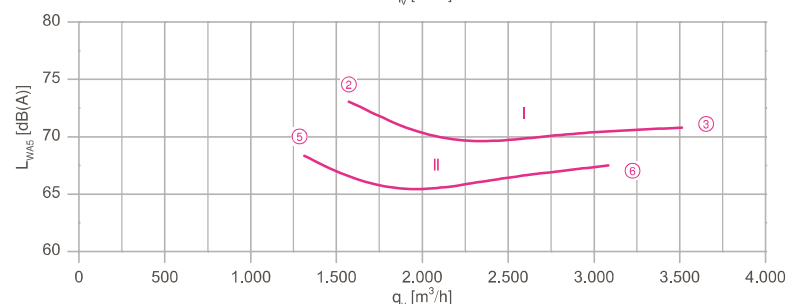
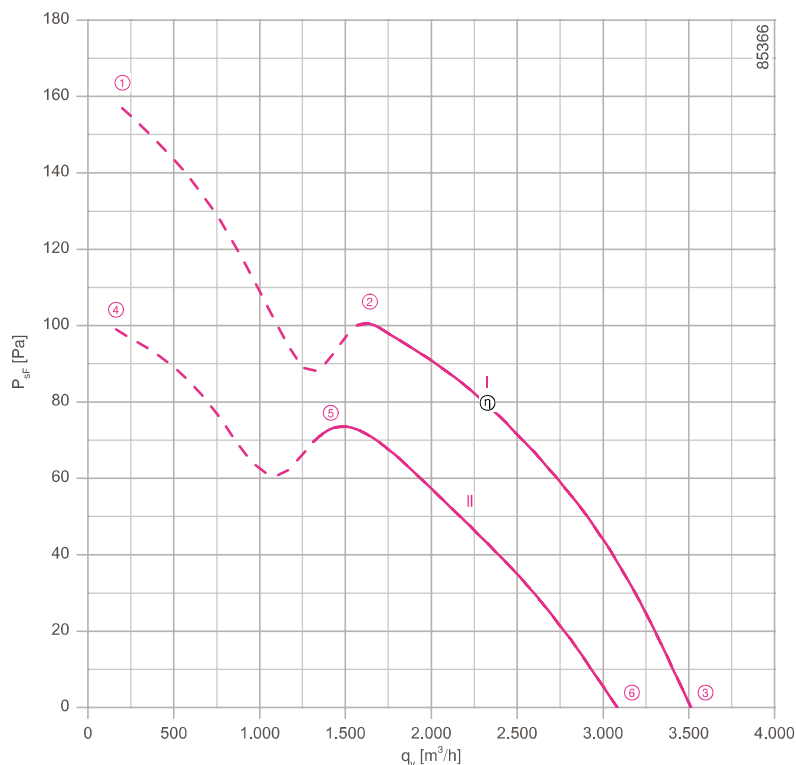
ErP Data

Efficiency η_{statA} : 29.3 %
 Efficiency: $N_{actual} = 40.3 / N_{target} = 40$ **
 * Rated data
 **ErP 2015

➤ Connection diagrams Page 608
 for airflow direction V 1360-108XA
 for airflow direction A 1360-108XB

➤ System components Page 524

Characteristic curve

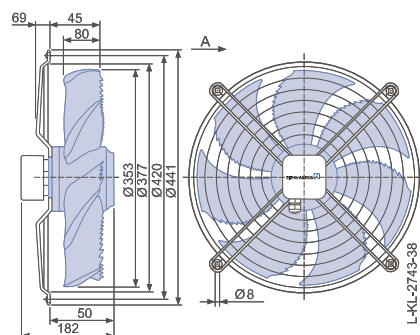


Measured in full bell mouth without guard grille in installation type A according to ISO 5801.

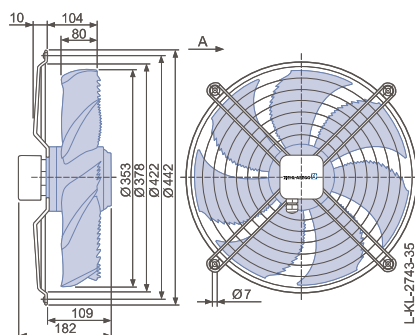
Dimensions [mm]

Airflow direction A

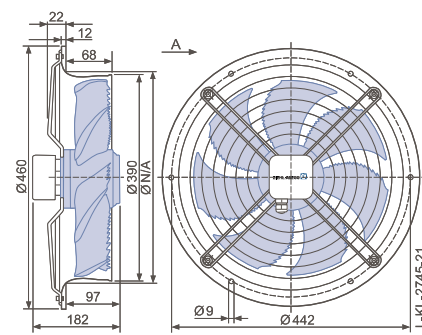
Design W - axial bolted, mounting for short bell mouth E



Design D - axial bolted, suspension for full bell mouth Q and L



Design L - round, full bell mouth



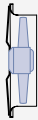





Performance data

Type	Connection	Characteristic curve	Voltage	Operating point	Current	Motor input power	Speed	Suction side sound power level
			U [V]					
FN035-VD_OF_7P2	Δ	I	400	①	0.44	230	1360	
			400*	②	0.40*	190*	1390*	73
			400	③	0.37	150	1420	71
	Y	II	400	④	0.27	170	1080	
			400*	⑤	0.23*	140*	1170*	68
			400	⑥	0.19	120	1240	68

*rated data

Fan ordering information

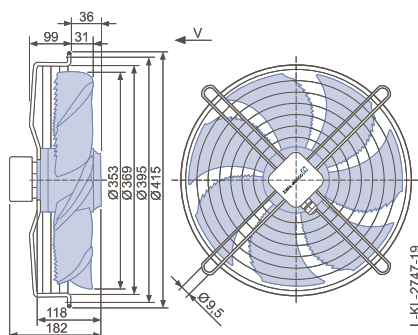
Airflow direction A		Airflow direction V				
Design	W	D	L	K	H	I
						
Type	FN035-VDWF.0F.A7P2	FN035-VDD.0F.A7P2	FN035-VDL.0F.A7P2	FN035-VDK.0F.V7P2	FN035-VDH.0F.V7P2	FN035-VDI.0F.V7P2
Article no.	155888	155886	155887	155892	155891	155890
Weight [kg]	5.10	4.80	6.80	5.30	6.80	4.70

Control technology

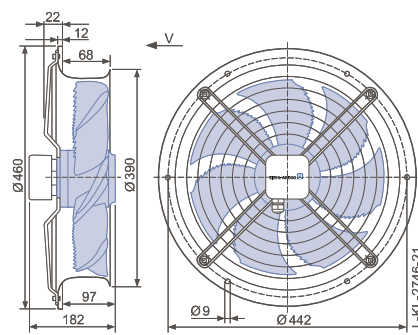
<p>Frequency inverter Fcontrol 3~</p>  <p>➤ Page 558</p>	<p>Motor protection units 3~</p>  <p>➤ Page 596</p>	<p>Transformer-based controllers 3~</p>  <p>➤ Page 591</p>	<p>Electronic voltage controllers 3~</p>  <p>➤ Page 578</p>
--	---	--	---

Airflow direction V

Design K - axial bolted, mounted for short bell mouth E



Design H - pipe sockets with a flange



Design I - axial bolted, mounting for bell mouth flange for pipe socket H or full bell mouth Q or L

