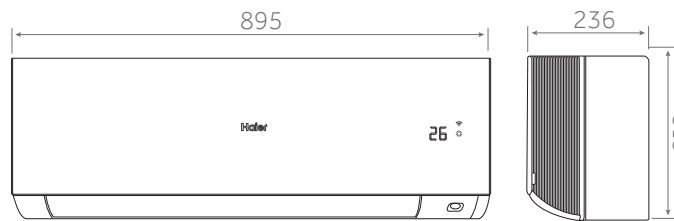




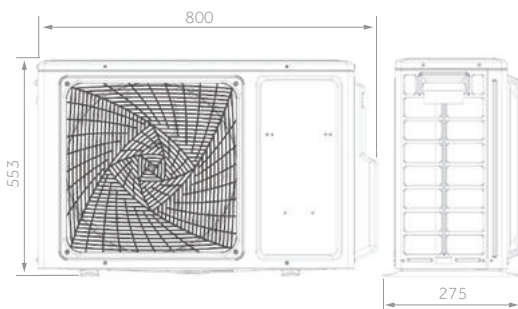
reddot winner 2022



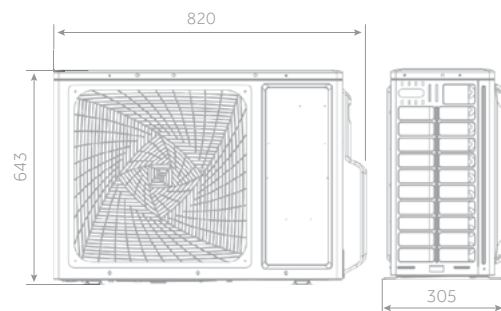
AS25 - AS35 - AS50 - AS71



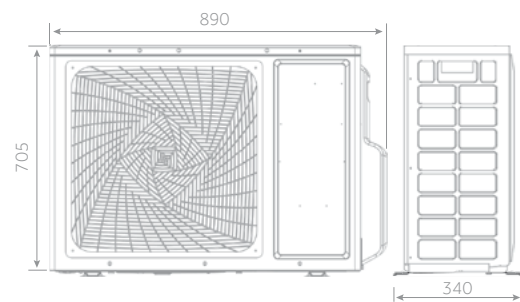
1U25 - 1U35



1U50



1U71



2,5 kW - 3,5 kW

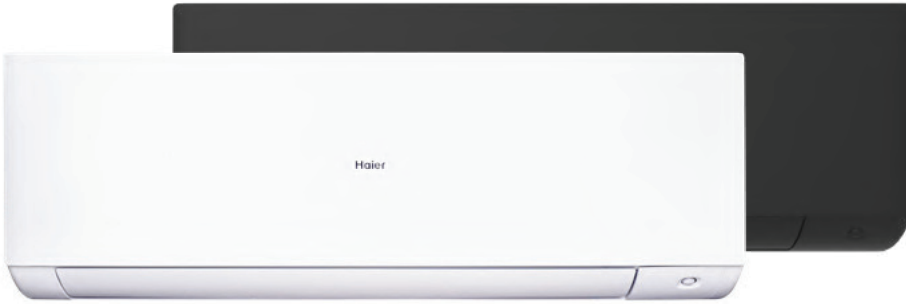
5,0 kW

7,1 kW

EXPERT NEW

Haier

MONOSPLIT



A+++ / A++

- 2,8 kW
- 3,5 kW
- 5,0 kW
- 7,1 kW



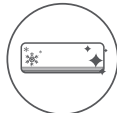
Standard HR-HJ



Easy Installation



I Feel



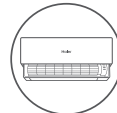
Self Clean



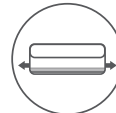
Eco Sensor



Integrated Wi-Fi Control



Easy to Disassemble

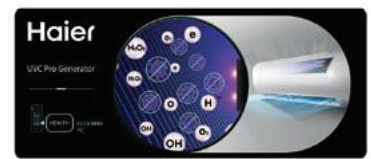


2-Way Piping Design



UVC Pro

- Easy Installation
- I Feel
- Self-Clean
- Eco Sensor
- Integrated Wi-Fi control
- Easy to Clean
- 2-Way Pipe Design
- UVC Pro
- 3D airflow: continuous movement of horizontal and vertical deflectors



INDOOR UNIT WHITE	Model		AS25XCAHRA	AS35XCAHRA	AS50XCAHRA	AS71XCAHRA
INDOOR UNIT BLACK	Model		AS25XCAHRA-MB	AS35XCAHRA-MB	AS50XCAHRA-MB	AS71XCAHRA-MB
OUTDOOR UNIT	Model		1U25S2SM1FA-2	1U35S2SM1FA-2	1U50S2S2FA-2	1U71S2ST1FA
Performance data						
Output power - COOLING	nom (min-max)	kW	2,80 (0,80-3,20)	3,50 (1,00-4,00)	5,00 (1,40-5,50)	6,20(2,20-7,00)
Output power - HEATING	nom (min-max)	kW	3,20 (0,80-4,20)	4,20 (1,00-5,20)	5,60 (1,70-6,20)	6,80(2,40-7,80)
Absorbed power - COOLING	nom (min-max)	kW	0,651 (0,20-1,20)	0,875 (0,30-1,40)	1,470 (0,50-2,00)	1,92(0,70-2,60)
Absorbed power - HEATING	nom (min-max)	kW	0,761 (0,30-1,50)	1,037 (0,50-1,60)	1,509 (0,52-2,30)	1,83(0,60-2,90)
Energy class	EER	W/W	4,30	4,00	3,40	3,23
	COP	W/W	4,20	4,05	4,00	3,71
COOLING Pdesign	35 °C	kW	2,80	3,50	5,00	6,20
HEATING Pdesign	(-10 °C)	kW	2,50	2,80	4,60	5,60
Energy class	SEER		8,80 (A+++)	8,50 (A+++)	6,60 (A++)	6,80 (A++)
	SCOP		4,75 (A++)	4,75 (A++)	4,60 (A++)	4,00 (A+)
Annual Energy Consumption - COOLING		kWh/a	111	144	265	320
Annual Energy Consumption - HEATING		kWh/a	737	825	1400	1960
Indoor Unit						
Power supply		Ph/V/Hz	1/220-240/50	1/220-240/50	1/220-240/50	1/220-240/50
Treated air volume	H	m ³ /h	730	800	880	920
Dehumidification		L/h	1,2	1,6	2,0	2,8
High sound power - COOLING		dB	56	57	60	65
High sound power - HEATING		dB	56	57	60	65
Sound pressure - COOLING		dB(A)	39/32/25/16	40/33/26/17	45/37/29/20	47/45/37/29
Sound pressure - HEATING		dB(A)	39/32/25/16	40/33/26/17	45/37/29/20	47/45/37/29
Net dimensions	WxDxH	mm	895x236x313	895x236x313	895x236x313	895x313x236
Packaging dimensions	WxDxH	mm	964x386x316	964x386x316	964x386x316	964x386x316
Net/gross weight		kg	11,3/14,0	11,3/14,0	11,6/14,2	12,4/14,8
Outdoor Unit						
Power supply		Ph/V/Hz	1/220-240/50	1/220-240/50	1/220-240/50	1/220-240/50
Power cable		N x mm ²	3 x 1,5	3 x 1,5	3 x 2,5	3 x 2,5
Interconnection cable		N x mm ²	4 x 1,0	4 x 1,0	4 x 1,0	4 x 1,0
Sound power	H	dB	59	63	63	68
Sound pressure	H	dB(A)	48	49	50	53
Running current cooling/heating	Max	A	6,8/6,8	7,2/7,2	10,68/10,68	11,8/13
Starting current cooling/heating	Max	A	1,5/1,5	1,5/1,5	2,0/2,0	2,0/2,0
Net dimensions	WxDxH	mm	800x275x553	800x275x553	820x305x643	890x340x705
Packaging dimensions	WxDxH	mm	902x375x607	902x375x607	940x390x697	1046x460x780
Net/gross weight		kg	27,6/30,4	30/32,9	35,7/38,5	44/48
Compressor type			Rotary Inverter	Rotary Inverter	Twin rotary inverter	Twin rotary inverter
Installation data						
Refrigerant			R32	R32	R32	R32
Liquid pipe	∅	mm (inch)	6,35 (1/4)	6,35 (1/4)	6,35 (1/4)	9,52 (3/8)
Gas pipe	∅	mm (inch)	9,52 (3/8)	9,52 (3/8)	12,70 (1/2)	15,88(5/8)
Standard pipe length without refrigerant charge		m	7	7	7	7
Maximum pipe length		m	20	20	25	50
Maximum IU - OU elevation		m	10	10	15	30
Refrigerant charge in the factory		kg	0,63	0,78	1,10	1,23
Refrigerant charge in the factory		TCO2eq	0,43	0,53	0,74	0,83
Additional ref. charge over std length		g/m	20	20	20	20
Operating limits - COOLING (in/out)	min-max	°C	21-35/-20-43			
Operating limits - HEATING (in/out)	min-max	°C	10-27/-20-24			

The data in this catalogue is purely indicative as the data may vary. Please be advised to check the accuracy of the data with the supplier before purchasing products.