



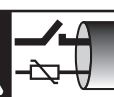
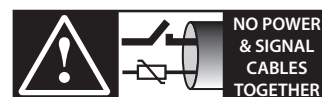
iJW

Electronic controller for field service
and new installations



USER MANUAL

→ **LEGGI E CONSERVA
QUESTE ISTRUZIONI** ←
**READ AND SAVE
THESE INSTRUCTIONS**



**NO POWER
& SIGNAL
CABLES
TOGETHER**

READ CAREFULLY IN THE TEXT!

iJW

+0300103EN - ENG

Up to date version available on

www.carel.com

GENERAL WARNINGS



CAREL bases the development of its products on decades of experience in HVAC, on continuous investments in technological innovations to products, procedures and strict quality processes with in-circuit and functional testing on 100% of its products, and on the most innovative production technology available on the market. CAREL and its subsidiaries/affiliates nonetheless cannot guarantee that all the aspects of the product and the software included with the product respond to the requirements of the final application, despite the product being developed according to start-of-the-art techniques. The customer (manufacturer, developer or installer of the final equipment) accepts all liability and risk relating to the configuration of the product in order to reach the expected results in relation to the specific final installation and/or equipment. CAREL may, based on specific agreements, act as a consultant for the successful commissioning of the final unit/application, however in no case does it accept liability for the correct operation of the final equipment/system. The CAREL product is a state-of-the-art product, whose operation is specified in the technical documentation supplied with the product or can be downloaded, even prior to purchase, from the website www.carel.com. Each CAREL product, in relation to its advanced level of technology, requires setup/configuration/programming/commissioning to be able to operate in the best possible way for the specific application. Failure to complete such operations, which are required/indicated in the user manual, may cause the final product to malfunction; CAREL accepts no liability in such cases. Only qualified personnel may install or carry out technical service on the product. The customer must only use the product in the manner described in the documentation relating to the product. In addition to observing any further warnings described in this manual, the following warnings must be heeded for all CAREL products:

- prevent the electronic circuits from getting wet. Rain, humidity and all types of liquids or condensate contain corrosive minerals that may damage the electronic circuits. In any case, the product should be used or stored in environments that comply with the temperature and humidity limits specified in the manual;
- do not install the device in particularly hot environments. Too high temperatures may reduce the life of electronic devices, damage them and deform or melt the plastic parts. In any case, the product should be used or stored in environments that comply with the temperature and humidity limits specified in the manual;
- do not attempt to open the device in any way other than described in the manual.
- do not drop, hit or shake the device, as the internal circuits and mechanisms may be irreparably damaged;
- do not use corrosive chemicals, solvents or aggressive detergents to clean the device;
- do not use the product for applications other than those specified in the technical manual.

All of the above suggestions likewise apply to the controllers, serial cards, programming keys or any other accessory in the CAREL product portfolio. CAREL adopts a policy of continual development. Consequently, CAREL reserves the right to make changes and improvements to any product described in this document without prior warning. The technical specifications shown in the manual may be changed without prior warning. The liability of CAREL in relation to its products is specified in the CAREL general contract conditions, available on the website www.carel.com and/or by specific agreements with customers; specifically, to the extent where allowed by applicable legislation, in no case will CAREL, its employees or subsidiaries/affiliates be liable for any lost earnings or sales, losses of data and information, costs of replacement goods or services, damage to things or people, downtime or any direct, indirect, incidental, actual, punitive, exemplary, special or consequential damage of any kind whatsoever, whether contractual, extra-contractual or due to negligence, or any other liabilities deriving from the installation, use or impossibility to use the product, even if CAREL or its subsidiaries/affiliates are warned of the possibility of such damage.

DISPOSAL

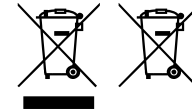


Fig. 1

Fig. 2

INFORMATION FOR USERS ON THE CORRECT HANDLING OF WASTE ELECTRICAL AND ELECTRONIC EQUIPMENT (WEEE)

The product is made up of metal parts and plastic parts. In reference to European Union directive 2002/96/EC issued on 27 January 2003 and related national legislation, please note that:

- WEEE cannot be disposed of as municipal waste and such waste must be collected and disposed of separately;
- the public or private waste collection systems defined by local legislation must be used. In addition, the equipment can be returned to the distributor at the end of its working life when buying new equipment;
- the equipment may contain hazardous substances: the improper use or incorrect disposal of such may have negative effects on human health and on the environment;
- the symbol (crossed-out wheeled bin) shown on the product or on the packaging and on the technical leaflet indicates that the equipment has been introduced onto the market after 13 August 2005 and that it must be disposed of separately;
- in the event of illegal disposal of electrical and electronic waste, the penalties are specified by local waste disposal legislation.

Warranty on materials: 2 years (from production date, excluding consumables).

Approval: the quality and safety of CAREL S.p.A. products are guaranteed by the ISO 9001 certified design and production system.



Separate as much as possible the probe and digital input cables from cables to inductive loads and power cables, so as to avoid possible electromagnetic disturbance. Never run power cables (including the electrical panel cables) and signal cables in the same conduits.

Key to the symbols:

- Caution:** to bring critical issues to the attention of those using the product.
- Notice:** to focus attention on important topics; in particular the practical application of the various product functions.
- Caution:** this product is to be integrated and/or incorporated into the final apparatus or equipment. Verification of conformity to the laws and technical standards in force in the country where the final apparatus or equipment will be operated is the manufacturer's responsibility. Before delivering the product, Carel has already completed the checks and tests required by the relevant European directives and harmonised standards, using a typical test setup, which however cannot be considered as representing all possible conditions of the final installation.

HACCP: IMPORTANT



Food Safety programs based on procedures such as HACCP and, more generally, certain national regulations, require that the devices used for food storage be periodically checked to ensure that measurement errors are within the limits allowed for the application used. Carel recommends users to follow, for example, the indications of the European standard "Temperature recorders and thermometers for the transport, storage and distribution of chilled, frozen, deep-frozen/quick-frozen food and ice cream - PERIODIC VERIFICATION"; EN 13486 - 2001 (or subsequent updates) or similar regulations and provisions in force in the country in question. Further information can be found in the manual regarding the technical characteristics, correct installation and configuration of the product.

Index

1. Introduction	7	10. Alarms and signals	76
1.1 Functions and main features	7	10.1 Signals.....	76
1.2 Models and accessories.....	8	10.2 Types of alarms.....	76
2. Installation	11	10.3 Alarm table	77
2.1 Warnings.....	11	10.4 Low and high temperature alarms LO and HI	78
2.2 Small version for front panel mounting	11	10.5 HACCP alarms (HACCP = Hazard Analysis and Critical	79
2.3 Large version for front panel mounting	12	Control Point)	79
2.4 Description of the terminals.....	14	10.6 Dirty condenser alarm.....	80
2.5 Probe connections.....	15	10.7 Frost protection alarm	80
2.6 Connection diagrams	15	10.8 Refrigerant leak alarm rSF.....	81
2.7 Positioning inside the panel.....	16	10.9 Maintenance alarm.....	81
2.8 Electrical installation	16	11. LOGS	82
2.9 Serial port connections.....	17	11.1 Periodic logs.....	82
2.10 Installation.....	17	11.2 Event logs	82
3. Configuration tools	18	12. Appendix	83
3.1 Applica and Controlla apps.....	18	12.1 ir33 and IJ parameter compatibility table	83
3.2 Applica Desktop	18	12.2 Input/output configuration procedure	85
4. User interface	19	12.3 Setting the default parameters/loading the parameter	86
4.1 Introduction	19	sets.....	86
4.2 User terminal	20	12.4 Copy configuration parameters	87
4.3 Navigation modes.....	21	12.5 List of available configurations and related connections.....	88
5. Configuration wizard	26	13. Release notes	101
5.1 Wizard from the user terminal.....	26		
5.2 Wizard from the Applica app	27		
6. initial configuration	28		
6.1 Description of the initial configuration parameters.....	28		
6.2 Set date/time and time bands	29		
6.3 Checks after configuration.....	29		
7. Functions	30		
7.1 ON/OFF	30		
7.2 Inputs and outputs.....	31		
7.3 Digital inputs	32		
7.4 Digital outputs.....	35		
7.5 Control.....	38		
7.6 Control modes.....	40		
7.7 Night-time operation	43		
7.8 ECO operation	44		
7.9 Continuous cycle.....	44		
7.10 Custom set points	45		
7.11 Compressor	45		
7.12 Defrost	47		
7.13 Evaporator fans	54		
7.14 Condenser fans	57		
7.15 Humidity management.....	58		
7.16 Light management.....	61		
7.17 Door management.....	61		
7.18 Door - light interactions	62		
7.19 Curtain management.....	62		
7.20 Generic functions	62		
7.21 Anti-sweat heater or fan.....	64		
7.22 Gasket heater	64		
7.23 Condensate drain heating	65		
7.24 Anti-heating	65		
7.25 High and low voltage protection (HLVP)	65		
8. Parameter table	66		
8.1 Parameter table.....	66		
8.2 Configuring the iJW controller via the Applica app.....	72		
9. Technical specifications	74		
9.1 Connector/cable table	75		

1. INTRODUCTION

iJW is the range of CAREL electronic controllers designed for commercial refrigeration food storage and display applications. The range comprises SMALL and LARGE formats, which differ in terms of the number of inputs/outputs and buttons available. All models come with 115 - 230 Vac switching power supply and NFC (Near Field Communication) connectivity. All standard iJW display interfaces use backlit buttons with a capacitive touch screen.

A vast catalogue of options for integration into the device is available across the entire iJW range:

- Bluetooth™ to interact in real time with the chiller and access the data logs stored on the controller. Bluetooth™ antenna for connection to the Applica (service) and Controlla (end user) apps.
- Modbus over RS485 for connection to Carel or third-party supervisory systems (no external converter needed). Carel protocol available on specific models.
- Modbus over TTL for connection to Carel or third-party supervisory systems (with external converter). Carel protocol available on specific models.
- Modulating outputs (0-10 V/PWM) to directly drive modulating loads such as dimmable lights or variable-speed fans.
- Humidity input to directly read a 0-5 V ratiometric humidity probe.
- Safety package with compressor protection against high and low power supply voltages (HLVP) and zero crossing function for the relays.
- RTC clock

The entire iJW range is integrated into the following CAREL support software and apps:

- Applica Desktop software for OEM technical departments; connection via RS485, BMS or port ID2 with specific converters.
- Applica for technical service in the field; local connection via NFC and BT.
- Controlla app for end users; local connection via BT.

1.1 Functions and main features

The functions and most of the parameters available on the iJW range are mainly derived from the Carel ir33+ range. In addition to these, the following functions have been added:

- Configuration wizard from user terminal or Applica app.
- Read/write parameters via NFC (replacing the programming key).
- Temperature control in the dead band.
- Defrost condensate drain heater.
- Fan cycles to avoid air stratification.
- Fan management for humidity levels (no dedicated probe needed).
- Door gasket heater.
- High and low power supply voltage detection.
- Refrigeration system failure alarm (rSF).

The iJW range has been designed to offer maximum flexibility through the use of modular hardware.

Main features of the basic versions:

- SMALL models, 4 inputs and 2/4 relays.
- LARGE models, 5 inputs and 6 relays.
- Panel version with built-in display.
- 115-230 Vac $\pm 10\%$ (90-264 Vac) switching power supply.
- NFC connectivity.

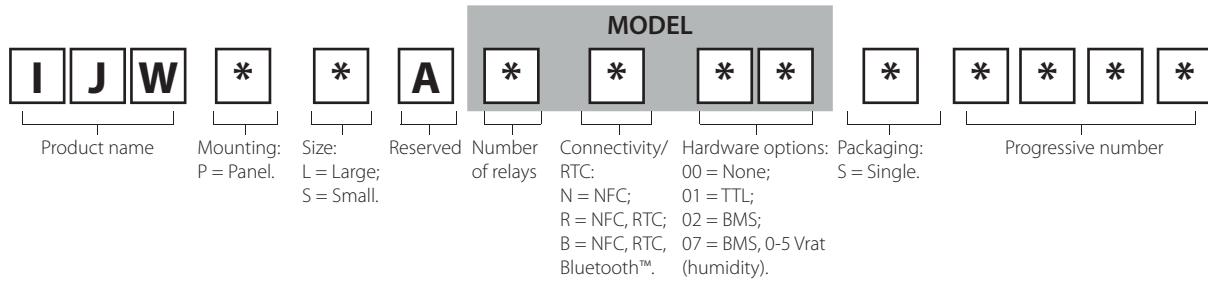
Fully-integrated options:

- Bluetooth™ (with real time clock).
- Real time clock
- 1 RS485 serial port with Modbus supervisor protocol (Carel protocol available on specific models).
- 1 TTL serial port with Modbus supervisor protocol (Carel protocol available on specific models).
- 1 modulating output (0-10V/PWM) (*)
- 1 x 0-5 V ratiometric input (*)
- Compressor protection against high and low power supply voltages (HLVP) and zero crossing function for the relays.

(*) versions are mutually exclusive

1.2 Models and accessories

The iJW controllers have different features, based on the model, as indicated by the four digits in the table. These features include the number of relays, the connectivity options, RTC, serial connection via BMS RS485 or TTL port and the 0-5 Vrat humidity probe.



Tab. 1.a

Notice: the Carel protocol is only available on some specific models for retrofits, identified by the icon on the packaging.

Contact CAREL for details on the complete product part numbers available and the corresponding technical specifications. Below are the features of the iJW models, divided by format.

1.2.1 SMALL controllers

FRONT PANEL mounting with built-in display



Fig. 1.a

P/N (first 6 digits)	Description
IJWPSA	<p>Basic features:</p> <ul style="list-style-type: none"> switching power supply, 115-230 Vac with high and low voltage detection; NFC; 2 probe inputs, 1 digital input, 1 multifunction input; 2 or 4 relays (2HP 8A or 5A 5A 2HP 8A, according to the model); plug-in terminals; single pack; black faceplate; white digits; 6 backlit touch buttons. <p>Optional features:</p> <ul style="list-style-type: none"> Bluetooth™ with RTC; RTC; HLVP, ZC; 1 RS485 serial port for supervision. <p>Mutually-exclusive options:</p> <ul style="list-style-type: none"> 1 x 0-5 V ratiometric input; 1 TTL serial port.

Tab. 1.b

1.2.2 LARGE controllers

FRONT PANEL mounting with built-in display



Fig. 1.b

P/N (first 6 digits)	Description
IJWPLA	<p>Basic features:</p> <ul style="list-style-type: none"> switching power supply, 115-230 Vac with high and low voltage detection; NFC; 3 probe inputs, 1 digital input, 1 multifunction input; max 6 relays (2HP 16A 8A 8A 8A or 30A 16A 8A 8A 8A 8A); plug-in terminals; single pack; black faceplate; white digits; 8 backlit touch buttons. <p>Optional features:</p> <ul style="list-style-type: none"> Bluetooth™ with RTC; RTC; HLVP, ZC; 1 RS485 serial port for supervision. <p>Mutually-exclusive options:</p> <ul style="list-style-type: none"> 1 x 0-5 V ratiometric input; 1 TTL serial port.

Tab. 1.c

1.2.3 Accessories

Notice: This list of ACCESSORY part numbers is updated as of the release date of this manual; please contact CAREL for any additional part numbers available.

Connector kit



Fig. 1.c

P/N	Description
BXOPZB35002B1	plug-in connector kit, 2 pins, 3.5 mm pitch, black (10 pcs)
BXOPZB35003B1	plug-in connector kit, 3 pins, 3.5 mm pitch, black (10 pcs)
BXOPZB38102G1	plug-in connector kit, 2 pins, 3.81 mm pitch, green (10 pcs)
BXOPZB38104G1	plug-in connector kit, 4 pins, 3.81 mm pitch, green (10 pcs)
BXOPZB38105G1	plug-in connector kit, 5 pins, 3.81 mm pitch, green (10 pcs)
BXOPZB50802O1	plug-in connector kit, 2 pins, 5.08 mm pitch, orange (10 pcs)
BXOPZB50803G1	plug-in connector kit, 3 pins, 5.08 mm pitch, green (10 pcs)
BXOPZB50805G1	plug-in connector kit, 5 pins, 5.08 mm pitch, green (10 pcs)
BXOPZB50807G1	plug-in connector kit, 7 pins, 5.08 mm pitch, green (10 pcs)

Tab. 1.d

Fixing brackets



Fig. 1.d

P/N	Description
BXOPZMBRC0002	bracket kit for panel version, multiple pack (20 pcs)

Tab. 1.e

Converters



Fig. 1.e

P/N	Description
BXOPZIW0D0000	USB to 1-wire converter for digital input (DI2)
BXOPZI4850000	RS485 converter for TTL serial port
CVSTDUMORO	USB/RS485 converter

Tab. 1.f

1.2.4 Temperature sensors



Fig. 1.f

P/N	Type	Description	Range
NTC***HP0*	10 kΩ±1%@25 °C, IP67 β 3435	Temperature probe	-50 to 50 °C (105°C in air)
NTC***HF01	10 kΩ±1%@25 °C, IP67 β 3435	Evaporator outlet temperature probe	-50 to 90°C strap-on
PT1060HP01	PT1000 Class B, IP67	Temperature probe	-50T105°C in air
PT1***HF01	PT1000 Class B, IP67	Evaporator outlet temperature probe	50T105°C in air
DPRC*	NTC 10KΩ@25°C β3435 - 0 to 5 Vdc	Ambient temperature and humidity probe	-10T60°C - 10-90% U.R

Notice: see manuals +040010025 (ITA- ENG) /+040010026 (FRE-GER) for guidelines on installing the sensors on the unit.

Installation example with one evaporator

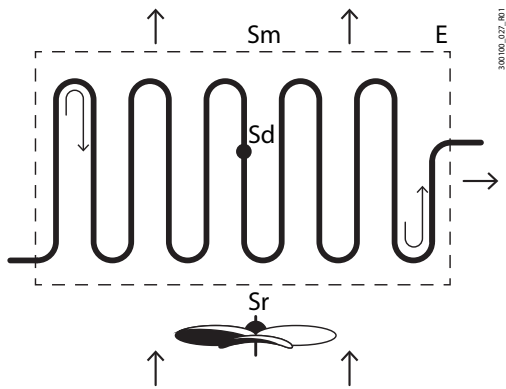


Fig. 1.g

Key:

Code	Description
Sm	Air off probe
Sr	Air on probe
Sd	Defrost probe
E	Evaporator

Tab. 1.g

2. INSTALLATION

2.1 Warnings

⚠ Caution: avoid installing the controller in environments with the following characteristics:

- temperature and humidity that do not comply with the ambient operating conditions (see "Technical specifications");
- strong vibrations or knocks;
- exposure to water sprays or condensate;
- exposure to aggressive and polluting atmospheres (e.g.: sulphur and ammonia gases, saline mist, smoke) which may cause corrosion and/or oxidation;
- strong magnetic and/or radio frequency interference (thus avoid installation near transmitting antennae);
- exposure to direct sunlight and the elements in general;
- wide and rapid fluctuations in ambient temperature;
- exposure of the controller to dust (formation of corrosive patina with possible oxidation and reduction of insulation);

2.2 Small version for front panel mounting

2.2.1 Dimensions mm (inch)

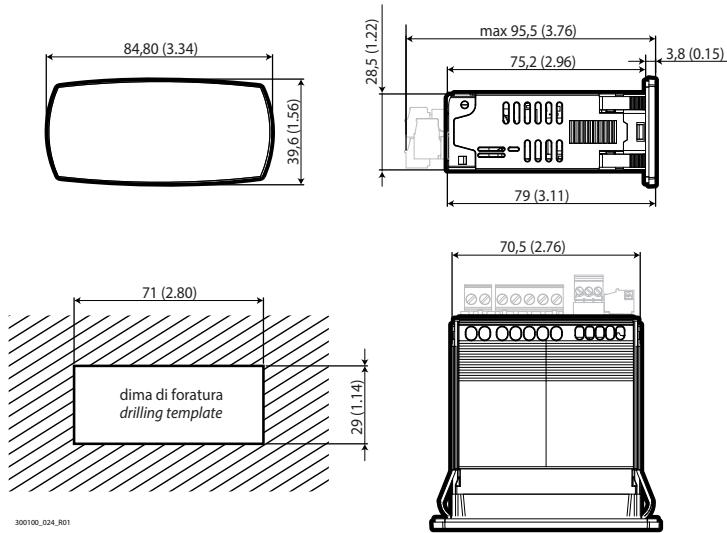


Fig. 2.a

2.2.2 Assembly

⚠ Caution: before carrying out any maintenance, disconnect the controller from the power supply by moving the main system switch to "off".

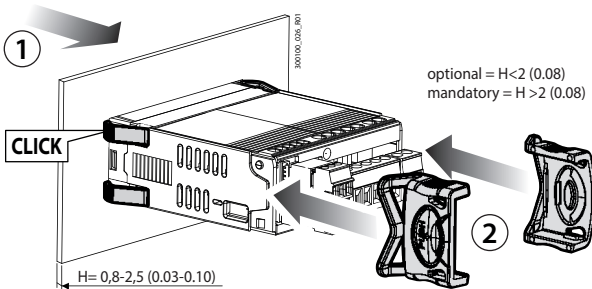


Fig. 2.b

1. Place the controller in the opening, pressing lightly on the side anchoring tabs.
2. Then press on the front until fully inserted (the side tabs will bend, and the catches will attach the controller to the panel, up to a maximum thickness of 2 mm).
3. If necessary, fit the fixing brackets.

- ⚠ Caution:** IP65 front protection is guaranteed only if the following conditions are met:
- maximum deviation of the rectangular opening from flat surface: ≤ 0.5 mm (0.02 in);
 - thickness of the electrical panel sheet metal: 0.8-2 mm (0.03-0.1 in); for thicknesses from 2-2.5 mm (0.08-0.10 in), the optional fixing brackets are required;
 - maximum roughness of the surface where the gasket is applied: ≤ 120 μ m.

👉 Notice: the thickness of the sheet metal (or material) used to make the electrical panel must be adequate to ensure safe and stable mounting of the product (0.8-2.5 mm / 0.03-0.10 in).

2.2.3 Removal

⚠ Caution: before carrying out any maintenance, disconnect the controller from the power supply by moving the main system switch to “off”.

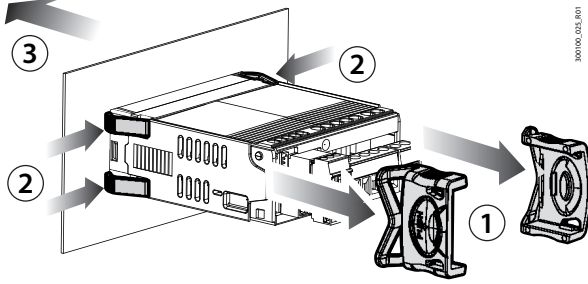


Fig. 2.c

Open the electrical panel and from the rear:

1. remove the fixing brackets (if fitted);
2. gently press the side anchoring tabs on the controller;
3. exert slight pressure on the controller until it is removed.

2.3 Large version for front panel mounting

2.3.1 Dimensions - mm (in)

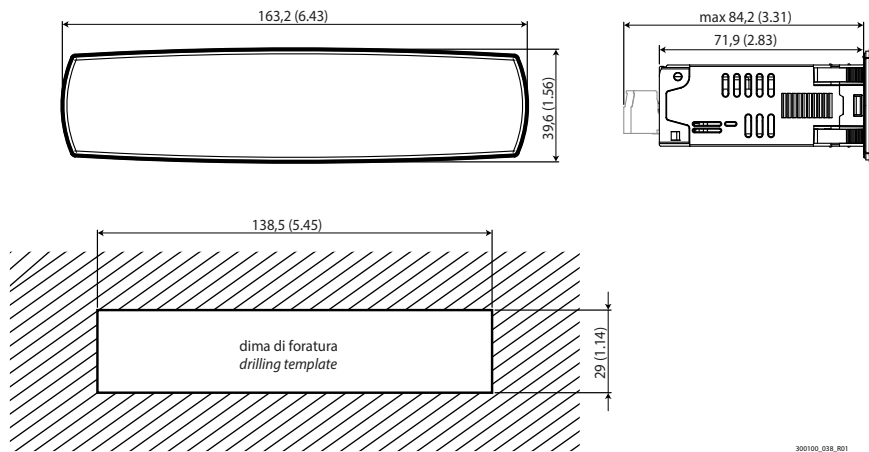


Fig. 2.d

2.3.2 Assembly

⚠ Caution: before carrying out any maintenance, disconnect the controller from the power supply by moving the main system switch to “off”.

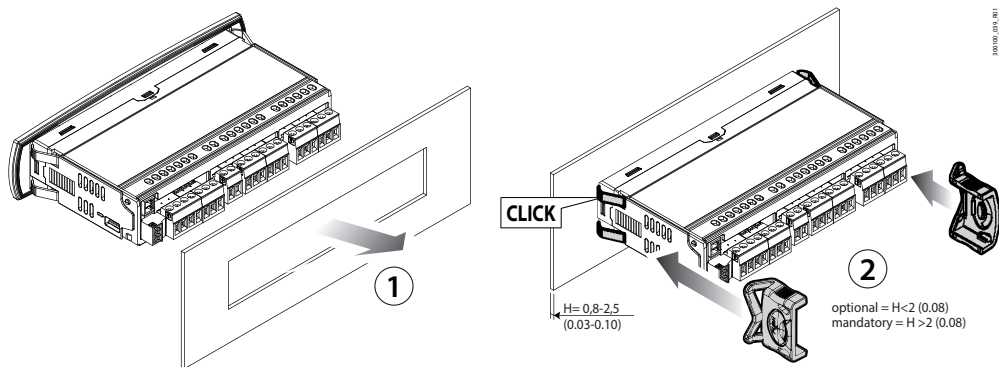


Fig. 2.e

1. Place the controller in the opening, pressing lightly on the side anchoring tabs.
2. Then press on the front until fully inserted (the side tabs will bend, and the catches will attach the controller to the panel, up to a maximum thickness of 2 mm).
3. If necessary, fit the fixing brackets.

⚠ Caution: IP65 or IP43 front protection (with or without fixing brackets, respectively) is guaranteed only if the following conditions are met:

- maximum deviation of the rectangular opening from flat surface: ≤ 0.5 mm (0.02 in);
- thickness of the electrical panel sheet metal: 0.8-2 mm (0.03-0.1 in); for thicknesses from 2-2.5 mm (0.08-0.10 in), the optional fixing brackets are required;
- maximum roughness of the surface where the gasket is applied: ≤ 120 μ m.

📌 Notice: the thickness of the sheet metal (or material) used to make the electrical panel must be adequate to ensure safe and stable mounting of the product (0.8-2.5 mm / 0.03-0.10 in).

2.3.3 Removal

⚠ Caution: before carrying out any maintenance, disconnect the controller from the power supply by moving the main system switch to “off”.

Open the electrical panel and from the rear:

1. remove the fixing brackets (if fitted);
2. gently press the side anchoring tabs on the controller;
3. exert slight pressure on the controller until it is removed.

2.4 Description of the terminals

Small model

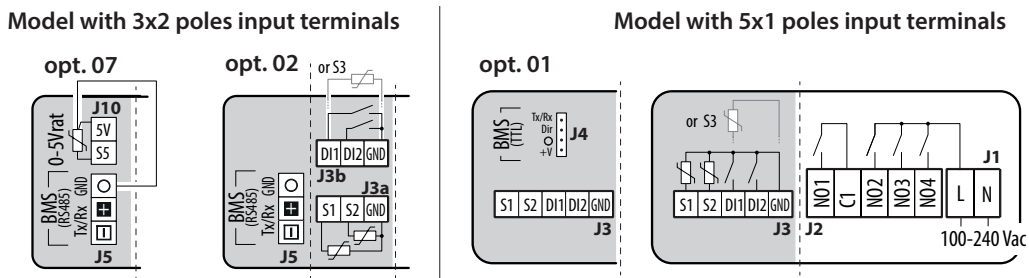


Fig. 2.f

Ref.	Description	Ref.	Description
J1	L — Power supply N — Power supply	J4	Tx/Rx TTL port: Tx/Rx Dir TTL port: Dir O TTL port: GND +V TTL port: +V
J2	NO1 Digital output (relay) 1 C1 Common for relay 1 NO2 Digital output (relay) 2 NO3 Digital output (relay) 3 NO4 Digital output (relay) 4	J5	- BMS serial port (RS485): Rx-/Tx- + BMS serial port (RS485): Rx+/Tx+ O BMS serial port (RS485): GND
J3, J3a, J3b	S1 Analogue input 1 (NTC, PTC or PT1000, NTC_HT and NTC_LT) S2 Analogue input 2 (NTC, PTC or PT1000, NTC_HT and NTC_LT) D11 Digital input 1/Analogue input 3 (NTC, PTC or PT1000, NTC_HT and NTC_LT) D12 Digital input 2 GND GND: reference for probes, digital inputs and analogue outputs	J10	5V Ratiometric probe power supply S5 Analogue input 5 (ratiometric probe)

Tab. 2.h

Large model

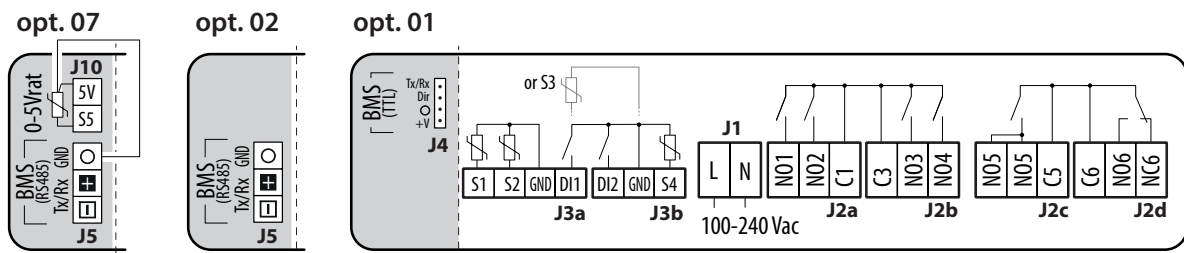


Fig. 2.g

Ref.	Description	Ref.	Description
J1	L — Power supply N — Power supply	J3a	GND: reference for probes, digital inputs and analogue outputs D11 Digital input 1/Analogue input 3 (NTC, PTC, PT1000, NTC_HT and NTC_LT) D12 Digital input 2 GND: reference for probes, digital inputs and analogue outputs S4 Analogue input 4 (NTC, PTC, PT1000, NTC_HT and NTC_LT)
J2a	NO1 Digital output (relay) 1 NO2 Digital output (relay) 2	J4	Tx/Rx TTL port: Tx/Rx Dir TTL port: Dir O TTL port: GND +V TTL port: +V
J2b	C3 Common for relay 3.4 NO3 Digital output (relay) 3 NO4 Digital output (relay) 4	J5	- BMS serial port (RS485): Rx-/Tx- + BMS serial port (RS485): Rx+/Tx+ O BMS serial port (RS485): GND
J2c	NO5 Digital output (relay) 5 C5 Common for relay 5	J10	5V Ratiometric probe power supply S5 Analogue input 5 (ratiometric probe)
J2d	C6 Common for relay 6 NC6 Digital output (relay) 6, normally-closed contact NO6 Digital output (relay) 6, normally-open contact		
J3a	S1 Analogue input 1 (NTC, PTC, PT1000, NTC_HT and NTC_LT) S2 Analogue input 2 (NTC, PTC, PT1000, NTC_HT and NTC_LT)		

Tab. 2.i

2.5 Probe connections

Notice:

- the probe connections relate to the default parameter configuration;
- probes S1, S2, S3 can be configured as NTC, PTC, PT1000, NTC_HT or NTC_LT;
- the temperature probes must all be the same type.

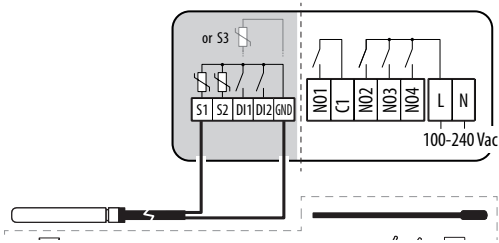


Fig. 2.h

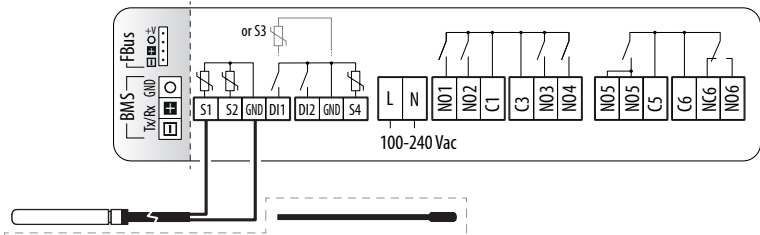


Fig. 2.i

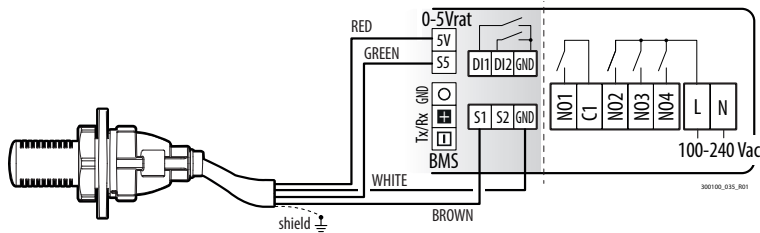


Fig. 2.j

2.6 Connection diagrams

Notice: the “Applica” app and the Applica Desktop software (see the “Configuration tool” chapter) can be used to change the configuration of the probes without needing to rewire or change the assignment of the relays to specific functions, thus taking advantage of different capacities when needed.

Below are two examples of wiring diagrams for the small and large iJW controllers. See the Appendix for the complete list of available configurations and corresponding connections.

2.6.1 Small model

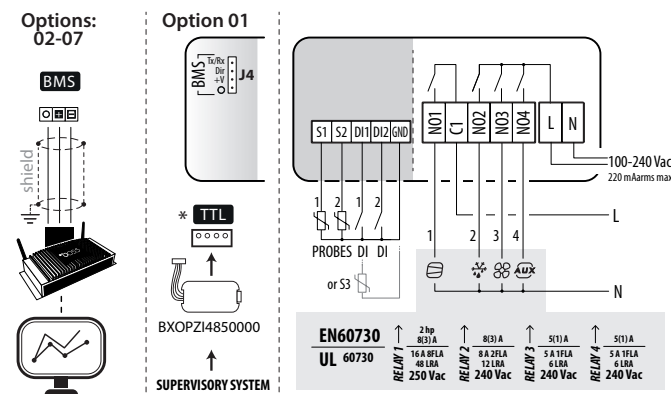


Fig. 2.k

2.6.2 Large model

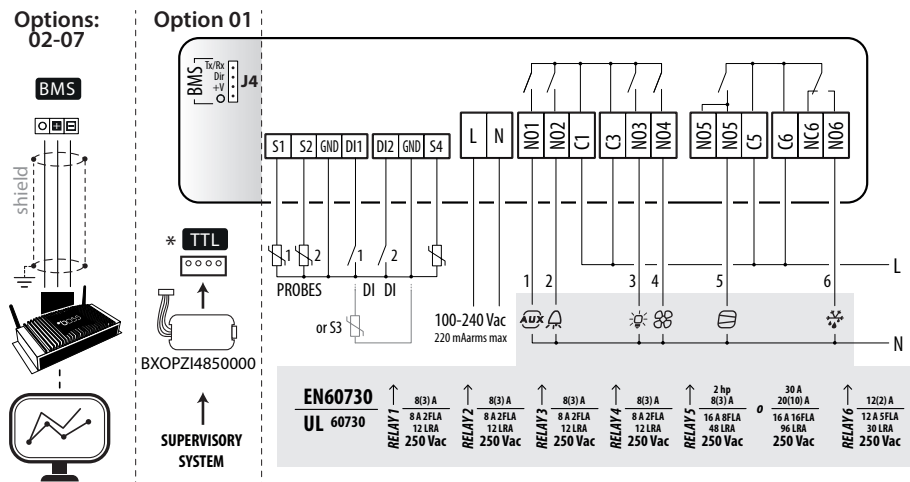


Fig. 2.1

2.7 Positioning inside the panel

The position of the controller in the electrical cabinet must be chosen so as to guarantee correct physical separation from the power components (solenoids, contactors, actuators, inverters, ...) and the connected cables. Proximity to such devices/cables may create random malfunctions that are not immediately evident. The structure of the panel must allow the correct flow of cooling air.

2.8 Electrical installation

⚠ Caution: when laying the wiring, "physically" separate the power part from the control part. The proximity of these two sets of wires will, in most cases, cause problems of induced disturbance or, over time, malfunctions or damage to the components. The ideal solution is to house these two circuits in two separate cabinets. Sometimes this is not possible, and therefore the power part and the control part must be installed in two separate areas inside the same panel.

For the control signals, it is recommended to use shielded cables with twisted wires. If the control cables have to cross over the power cables, the intersections must be as near as possible to 90 degrees, always avoiding running the control cables parallel to the power cables.

Pay attention to the following warnings:

- use cable ends suitable for the corresponding terminals. Loosen each screw and insert the cable ends, then tighten the screws. When the operation is completed, slightly tug the cables to check they are sufficiently tight;
- Separate as much as possible the probe signal, digital input and serial line cables from the cables carrying inductive loads and power cables to avoid possible electromagnetic disturbance. Never run power cables (including the electrical cables) and probe signal cables in the same conduits. Do not install the probe cables in the immediate vicinity of power devices (contactors, circuit breakers or similar);
- Reduce the path of the probe cables as much as possible, and avoid spiral paths that enclose power devices;
- Avoid touching or nearly touching the electronic components fitted on the boards to avoid electrostatic discharges (extremely damaging) from the operator to the components;
- Do not secure the cables to the terminals by pressing the screwdriver with excessive force, to avoid damaging the controller: maximum tightening torque: 0.22-0.25 N·m.
- For applications subject to considerable vibrations (1.5 mm pk-pk 10/55 Hz), secure the cables connected to the controller around 3 cm from the connectors using cable ties;
- All the extra low voltage connections (analogue and digital inputs, analogue outputs, serial bus connections, power supplies) must have reinforced or double insulation from the mains network.

2.9 Serial port connections

For serial connections (FieldBus and BMS ports), the cables used must be suitable for the RS485 standard (shielded twisted pair, see the specifications in the following table).

Main device	Serial port	Lmax (m)	Wire/wire capacitance (pF/m)	Resistance on last device	Max secondary devices on bus	Data rate (bit/s)
PC (supervision)	BMS	500	<90	120 Ω	-	19200 (*)
PC (supervision)	TTL	2	<90	-	-	19200 (*)

Tab. 2.j

(*) modifiable by parameter.

⚠ Caution: connect the shield to the GND of the control, do not connect GND to earth. Connect a 120 Ω terminating resistor between the Tx/Rx+ and Tx/Rx- terminals on the last controller on the RS485 line.

2.10 Installation

For installation proceed as follows, with reference to the wiring diagrams:

- before performing any operations on the control board, disconnect the main power supply by turning the main switch in the electrical panel OFF;
- avoid touching the control board, as electrostatic discharges may damage the electronic components;
- the index of protection required for the application must be ensured by the manufacturer of the cabinet or by suitable assembly of the controller;
- connect any digital inputs, Lmax = 10 m;
- connect the actuators: the actuators should only be connected after having programmed the controller. Carefully evaluate the maximum ratings of the relay outputs as indicated in "Controller electrical and physical specifications";
- program the controller: see "User interface";
- for safety devices (e.g. circuit breakers), comply with the following requirements:
 - IEC 60364-4-41;
 - standards in force in the country;
 - connection technical requirements of the power company.

⚠ Caution: the following warnings must be observed when connecting the controllers:

- incorrect connection to the power supply may seriously damage the controller;
- use cable ends suitable for the corresponding terminals. Loosen each screw and insert the cable ends, then tighten the screws and lightly tug the cables to check correct tightness;
- separate as much as possible the probe and digital input cables from cables to inductive loads and power cables, so as to avoid possible electromagnetic disturbance. Never run power cables (including the electrical panel cables) and probe signal cables in the same conduits;
- do not install the probe cables in the immediate vicinity of power devices (contactors, circuit breakers, etc.). reduce the path of probe cables as much as possible, and avoid spiral paths that enclose power devices.

3. CONFIGURATION TOOLS

3.1 Applica and Controlla apps

The Carel apps can be used to configure the controller from a mobile device (smartphone, tablet), via NFC (Near Field Communication) or BLE (Bluetooth™ Low Energy). Supported devices: Android 7, iOS 11; Bluetooth™ 4.0, and higher.

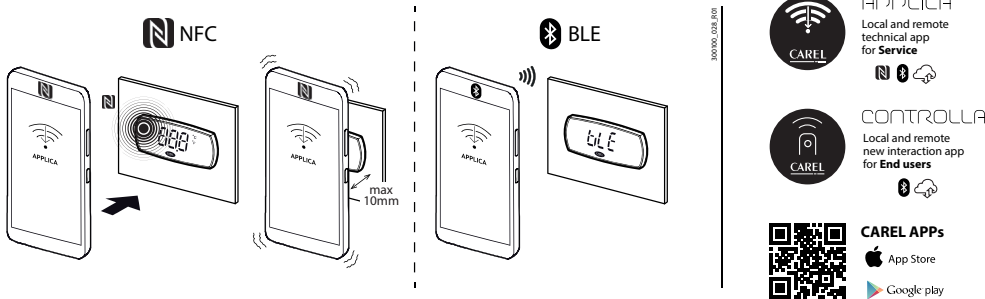


Fig. 3.a

Procedure (modify parameters):

- download the CAREL "Applica" or "Controlla" app from Apple Store or Google Play;
- (on the mobile device) enable NFC and/or Bluetooth™ communication and mobile data;
- open Applica (or Controlla);
- select NFC or Bluetooth™ communication, depending on the iJW model;
- move the mobile device near to the user terminal, maximum distance 10 mm (for NFC only), so as to recognise the configuration;
- select the access profile and enter the required password (*);
- set the parameters as needed;
- move the mobile device near to the user terminal again to upload the configuration parameters (for NFC only).

(* pre-assigned by the unit manufacturer to allow maintenance only by authorised service technicians, default Applica "22", Controlla "00"

Notice:

- make sure NFC or Bluetooth™ have been enabled. Some smartphones may experience problems if location is not enabled.
- During Bluetooth™ connection, the iJW user terminal is disabled and shows the message "bLE".
- Parameter "nFE" can be used to disable copying the parameters written to the NFC memory to the controller's memory. If nFE = 0, writes to NFC memory are ignored by the controller.

3.2 Applica Desktop

Applica Desktop is configuration software for laptops that provides the following functions:

- configure the controller;
- change parameter sets and create custom lists to upload to the device;
- view the trends of physical values in real time, with the possibility to save data in Excel format.

For the electrical connection, use the USB/RS485 converter CVSTDUMORO for models equipped with BMS port option.

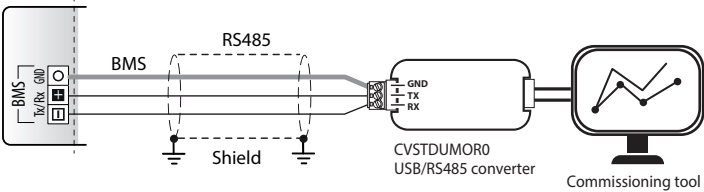


Fig. 3.b

For models without BMS port option, the USB/ID converter BXOPZIOWD000 can be used, connecting to digital input ID2 and completing the specific procedure.

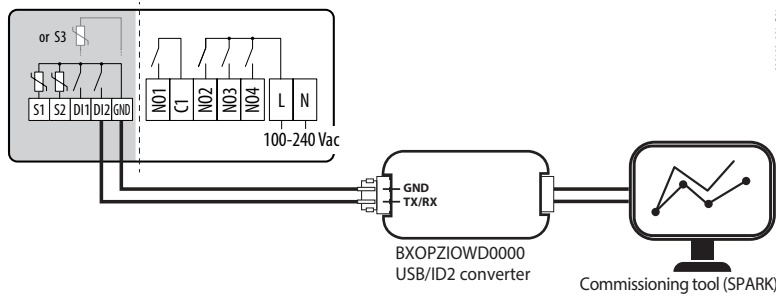


Fig. 3.c

4. USER INTERFACE

4.1 Introduction

iJW is available in the panel version with front mounting and built-in display; the front panel incorporates the display and the keypad with backlit buttons used to program the controller. The user interface display features three digits with sign for below-zero temperatures and decimal point, a buzzer for signalling alarms and nine icons. The terminal features wireless connectivity and an NFC (Near Field Communication) or Bluetooth™ interface for interaction with mobile devices (on which the CAREL “Applica” app has been installed, available on Google Play for the Android operating system and on Apple store for iOS devices).

Notice: for simplicity, the set of parameters accessible from the user interface is a subset of all the parameters available via the Applica app.

The information available on the user terminal may vary according to the parameter configuration set by the manufacturer. The user parameters (U) are accessible without entering a password, while the service parameters (S) can be accessed after entering the service password (default 22). See the parameter table.

Notice: the service password can be changed directly by accessing the parameter list in the Applica app, and can contain up to 8 alphanumeric and special characters.

Code	Description	Def.	Min	Max	UOM	User	User terminal
PDS	Service password	22	0	999	-	S	NO
PDU	User password	0	0	999	-	U	NO

Parameter /5 can be set to change the unit of measure of the values shown on the display, while parameter /6 selects whether or not to display the decimal point.

Notice: parameter /5 only affects the controller’s display and not Applica and the Applica Desktop configuration software, which need to be set accordingly.

Code	Description	Def.	Min	Max	UOM	User	User terminal
/5	Unit of measure: 0 = °C; 1 = °F	0	0	1	-	U	YES
/6	Display decimal point (main screen only): 0 = visible; 1 = not visible	0	0	1	-	S	YES

Parameter Hb can be set to enable or disable the buzzer (on models where featured).

Code	Description	Def.	Min	Max	UOM	User	User terminal
Hb	Enable buzzer: 0 = disabled; 1 = enabled	1	0	1	-	U	YES

Parameter /nE can be used to enable or disable navigation via the user terminal, while parameter BTE can be used to disable Bluetooth™ communication.

Due to its operating characteristics, the NFC memory is always active, while parameter nFE can be used to have the controller ignore writes to NFC memory.

Code	Description	Def.	Min	Max	UOM	User	User terminal
/nE	Enable user terminal navigation: 0 = enabled; 1 = disabled; 2 = On/Off disabled; 3 = On/Off and access to set point disabled.	0	0	3	-	S	NO
BTE	Bluetooth™ communication - 0 = Disabled; 1 = Enabled	1	0	1	-	S	NO
nFE	Enable copy parameters from NFC memory to controller: 0 = copy parameters disabled; 1 = copy parameters enabled.	1	0	1	-	S	NO

Parameters /Lb and /Sb can be set to change how the terminal behaves in standby; specifically, /Lb enables or disables the lighting on the status LEDs (icons), including ON/OFF, while /Sb enables or disables the lighting on the PRG button.

Code	Description	Def.	Min	Max	UOM	User	User terminal
/Lb	Status LEDs on in standby (including ON/OFF): 0 = off; 1 = on.	0	0	1	-	S	NO
/Sb	PRG button always ON in standby: 0 = off; 1 = on.	1	0	1	-	S	NO

4.2 User terminal

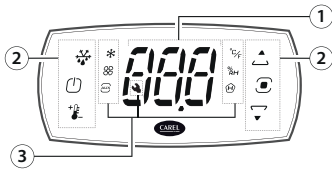


Fig. 4.a

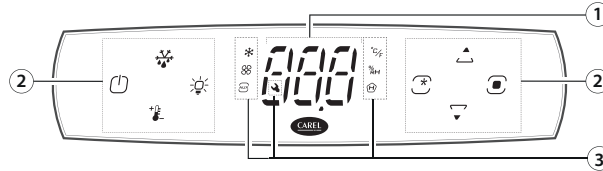


Fig. 4.b

Key:

1	Display
2	Icons/buttons
3	Icons

Notice:

- the user terminal can only be used to set the frequent parameters and display the value of the probes connected to iJW. The other parameters are set using the Applica app or the Applica Desktop configuration software, depending on the access profile. See the parameter table and the paragraph "Parameter categories visible on the user terminal";
- Parameter /t1 is used to choose the variable to be shown on the display during normal operation:
- Parameter /5 is used to change the unit of measure .
- Parameter /d6 is used to choose the value to be shown on the display when defrosting:

Code	Description	Def.	Min	Max	UOM	User	User terminal
/5	Unit of measure: 0 = °C; 1 = °F	0	0	1	-	U	YES
/6	Display decimal point: 0 = Yes; 1 = No	0	0	1	-	S	NO
/t1	Display on user terminal: 0 = Not configured 4 = value of S4 10 = virtual probe 1 = value of S1 5 = value of S5 11 to 14 = not available 2 = value of S2 6 to 8 = not available 15 = actual control set point 3 = value of S3 9 = control probe	9	0	15	-	S	NO
d6	Display on terminals during defrost: 0 = temperature alternating with 'dEF'; 1 = freeze display; 2 = 'dEF'	1	0	2	-	U	NO

Tab. 4.a

Keypad

Icon/button	Description	On	Flashing
	Defrost	Active / can be deactivated from the keypad	Waiting / can be activated from the keypad
	On/Off	<ul style="list-style-type: none"> Command activation: on / can be switched off from the keypad Return to the previous level in the parameters menu 	Off / can be switched on from the keypad
	Set point	Access to temperature / humidity set point	-
	Light	Active / can be deactivated from the keypad	Waiting / can be activated from the keypad
	UP arrow	<ul style="list-style-type: none"> Decrease value or scroll menu Auxiliary function: active / can be deactivated from the keypad 	Auxiliary function: waiting / can be activated from the keypad
	Programming (PROG)	Pressed briefly: <ul style="list-style-type: none"> activate buttons enter menu branch Save value and return to the parameter code 	-
	DOWN arrow	<ul style="list-style-type: none"> Decrease value or scroll menu Auxiliary function: active / can be deactivated from the keypad 	Auxiliary function: waiting / can be activated from the keypad
	Auxiliary function	Active / can be deactivated from the keypad	Waiting / can be activated from the keypad
	Compressor	Active	Waiting
	Evaporator fan	Active	-
	Auxiliary load	Active	-
	°C/°F	Unit of measure: temperature °C/ °F	-
	% rH	Unit of measure: relative humidity %	-
	HACCP	Active HACCP alarms	-
	Service	Active alarms	-

Tab. 4.b

Notice: during navigation, the buttons will be on/flashing only if enabled.

Code	Description	Def.	Min	Max	UOM	User	User terminal
GF	Custom function associated with the specific button (Large models only): 0 = Not configured; 1 = Light; 2 = Auxiliary output; 3 = Continuous cycle.	3	0	3	-	S	YES
GF1	Custom function associated with the UP arrow - see GF	2	0	3	-	S	YES
GF2	Custom function associated with the DOWN arrow - see GF	1	0	3	-	S	YES

A custom function can be associated with the UP arrow, DOWN arrow and auxiliary function button, choosing between unit On/Off, light on, auxiliary output activation and continuous cycle activation, by setting parameters GF1, GF2 and GF. Parameter GF is available only on Large models and corresponds to the specific button, while parameters GF1 and GF2 are available on all models.

4.3 Navigation modes

The iJW controller provides two user terminal operating modes, selected by setting parameter kbM:

- Buttons active, wake up mode.
- Buttons inactive, locked mode.

Wake up is the default mode, i.e. the keypad buttons are active.

Code	Description	Def.	Min	Max	UOM	User	User terminal
kbM	Keypad operating mode: 0 = wake up; 1 = locked	0	0	1	-	S	NO

4.3.1 Wake up mode

In wake up mode, when the terminal is in standby it displays the value of the variable selected by parameter /t1, alternating with any alarms or signals and the status of the loads/functions. As soon as any button is pressed, the terminal is activated (wake up), and the loads and functions can be activated/deactivated by simply pressing the buttons. Press and hold the PROG button to access the parameter programming menu.

The figure shows how to navigate between the screens; specifically, the grey part highlights programming mode, for setting the parameters, accessed by pressing and holding PROG and entering the password (default 22). The screens and functions of the buttons available on each screen are described in detail below.

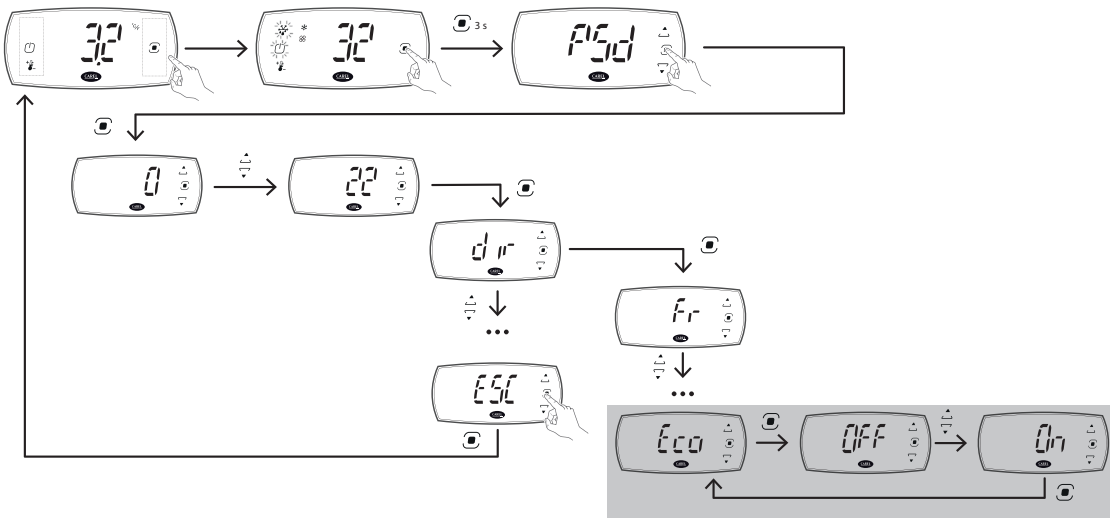


Fig. 4.c

4.3.2 Locked mode

In locked mode, when the terminal is in standby it displays the value of the variable selected by parameter /t1, alternating with any alarms or signals. Pressing any button displays the status of the loads and functions. In order to activate/deactivate the loads and functions and access the parameter programming menu, the terminal needs to be unlocked by pressing and holding PROG. The figure shows how to navigate between the screens on the display; specifically, the grey part shows programming mode for setting the user parameters, accessed by pressing and holding PROG. If a User password other than Default 00 has been set, this will need to be entered to access programming mode. To access the Service parameters, go to the "PSD" menu item and enter the password (default 22). The screens and functions of the buttons available on each screen are described in detail below.

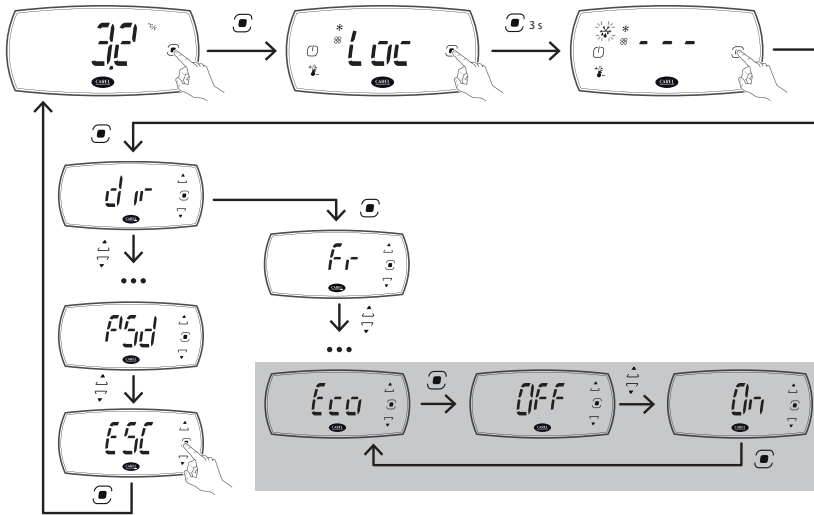


Fig. 4.d

4.3.3 Screens

The possible states of the terminal are shown in the table below.

Wake up mode	Status Standby/display active loads (wake up mode)	Status Direct activation of loads and functions from the keypad (wake up mode)	Status Unit off (wake up mode)	
	Description The display shows the main value, alternating with any alarms and signals and active functions/actuators.	Description The loads can be activated or deactivated and the direct functions accessed from the keypad	Description The unit is off and can be switched on by pressing the On/Off button	
Locked mode				
	Status In standby (locked mode)	Status Display active loads (locked mode)	Status Direct activation of loads and functions from keypad (locked mode)	Status Unit off (locked mode)
	Description The display shows the main value, alternating with any alarms and signals	Description The terminal shows any active loads, the keypad is locked	Description The loads can be activated or deactivated and the direct functions accessed from the keypad	Description The unit is off and can be switched on by pressing On/Off. The display shows the main value, alternating with the message "Off"
Wake up + locked mode				
	Status Programming menu	Status Parameter programming/display values	Status Bluetooth™ connection	Status Initial configuration
	Description Scroll the programming menu using the arrow buttons	Description Set the parameters using the arrow buttons or display read-only values	Description The display is disabled, as the controller is connected to an app via Bluetooth™ Low Energy	Description The controller is awaiting the start of the programming wizard

Standard display

At power on, the user terminal briefly shows the firmware version and then the standard display. The standard display depends on the setting of parameter /t1:

- control temperature (control probe temperature or calculated based on two probes, see "Functions");
- value of one of the probes connected to the analogue inputs;
- control/virtual probe;
- temperature set point.

Notice: if there is an active alarm, press any button to mute the buzzer.

Display active actuators/functions and direct activation of actuators/functions

If wake up navigation mode has been selected, the standard display also shows the actuators/functions that are active at that moment. Press any button access actuator/function direct activation mode

If locked navigation mode has been selected, the standard display does not show the active actuators/functions. When pressing any button, the display shows the message "Loc" and the icons corresponding to the currently-active actuators/functions come on. On pressing PRG for 3 s, the display shows 3 dashes in sequence and enters actuator/function direct activation mode.

In actuator/function direct activation mode:

- the buttons that are on steady indicate that the corresponding actuator/function is active, and can be deactivated by pressing the button;
 - the buttons that are flashing indicate that the actuator/function is not active and can be activated by pressing the button;
- When pressing the button, the display shows information on the status of the selected actuator/function (On/Off).

Icon	iJW small	iJW large	On/Off
	•	•	Defrost
	•	•	Unit On/Off
	•	•	Direct access to set point
	-	•	Lights
	•	•	Custom function (parameter GF1)
	•	•	Custom function (parameter GF2)
	-	•	Custom function (GF parameter)

Tab. 4.c

Notice: if no button is pressed, after 7 seconds the terminal will automatically return to the standard display.

Example of direct activation of the function to modify St (set point) in wake up navigation mode:



1. Wait for the standard display to be shown



2. Press any button to enter display active actuators/functions mode



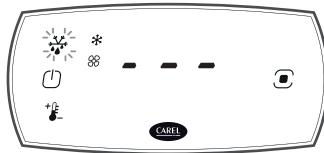
3. Press the Set point button for 3 s: the screen for setting the set point is displayed



4. Press UP/DOWN to change the value and then press PRG to save the value and return to the menu

Caution: if the PRG button is not pressed, the new setting will not be saved.

Example of direct activation of the defrost function in locked navigation mode:



1. Wait for the standard display to be shown
2. Press PRG for 3 s to enter display active actuators/functions mode
3. Press the defrost button to activate the defrost

4.3.4 Programming mode

In actuator/function direct activation mode, pressing PRG enters programming mode, where the unit's main operating parameters can be set.

If wake up navigation mode has been selected, after pressing PRG for 3 s the password needs to be entered (default 22).

If, on the other hand, locked navigation mode has been selected, pressing PRG directly accesses the basic configuration parameters, such as direct commands and active alarms without needing to enter the password (if a User password other than the default 00 has been set, the password will need to be entered), or the Service parameters (Service password required). To access the Service parameters, go to the "PSD" menu item (see the table below) and enter the password (default 22).

Notice: the main configuration parameters are accessed via the user terminal, for basic configuration of the unit; for fine tuning use Applica, which gives access to all the parameters available for the user profile.

Parameter categories visible on the user terminal

The menu items available and parameters visible on the user terminal are listed below. The menu branches/parameters protected by the Service password (default 22) in locked mode are shown in bold italics.

dir (*) (Direct functions)	CtL (Control)	Pro (Display probes)	dEF (Defrost)	HcP (HACCP)	CnF (Configuration)	cMP (Compressor)	FAn (Fans)	ALM (Alarms)	PSD (***)	ESC
See the following table	St	/5	d0	rHP	Hb	c0	F0	A1		
	rd	/6	dl	ESC	H0	c1	F1	AH/AHA		
	Sth	/cA	dP1		GF1	c2	F2	AL/ALA		
	rdh	/cb	dt1		GF2	c3	F3	Ad		
	IS (**)	/cc	d4		GF	ESC	Fd	Add		
	r1	/nE	d8		ESC		Fpd	ESC		
	r2	/t1	dd				ESC			
	rn	/P1	ESC							
	/4	/P2								
	rSC	ESC								
	ESC									

Tab. 4.d

(*) The visibility of the direct functions can be set using the corresponding parameters, and depends on whether the functions are available on the controller.

(**) Visible if there is at least one configuration loaded on the controller (see "Appendix")

(***) Visible as a menu item only in locked mode.

Direct functions

Acr.	Description	Visibility	Acr.	Description	Visibility
BtE	Enable Bluetooth™	if present	Sd	Defrost probe	/Fb > 0
CnC	Activate continuous cycle	cc > 0	SHu	Humidity probe	/FP > 0
Eco	Activate Eco mode		Sm	Air off probe	/Fa > 0
Fr	Firmware version		SRg	Control probe	
nFE	Enable copy parameters from NFC memory to controller				

Tab. 4.e

Procedure

To navigate the menu tree, use the following buttons:

- UP and DOWN to navigate the menu and set the values;
- PRG to enter the menu items and save the changes made;
- Select the menu item or ESC to return to the previous branch.

Example of setting parameter d0 (type of defrost) in wake up navigation mode:



1. Wait for the standard display to be shown



2. Press any button to enter display active actuators/functions mode



3. Press PRG for 3 s to open the password entry screen



4. Press PRG and enter the password using the UP and DOWN arrows



5. Press PRG to enter programming mode; the first category of parameters dir (=direct functions) will be displayed;



6. Press DOWN until reaching the parameter category dEF (Defrost)



7. Press PRG to display the first menu item: d0 (=type of defrost). Press PRG to display the parameter value



8. Press UP/DOWN to change the value and then press PRG to save the value and return to menu item d0



9. Press UP/DOWN to select ESC and press PRG to return to the parameter categories

Caution: if the PRG button is not pressed, the new setting will not be saved.



10. Press DOWN to move to the next categories and follow steps 7 to 9 to set the other parameters;



11. Once the settings have been made, to exit the categories select ESC and press PRG.

Notice: if no button is pressed, after 20 seconds the terminal will automatically return to the standard display.

Mobile device and PC

The controller can be configured via NFC (Near Field Communication) or Bluetooth™ from a mobile device (smartphone, tablet) using Applica, or via serial connection (laptop) using the Applica Desktop configuration software. See “Configuration tools”.

Notice: when changing the parameter settings, it is recommended to power the controller off and on again to realign any timings in progress. Caution: wait at least 5 seconds are changing the parameter settings before powering the controller off, to allow the data to be correctly saved to the memory.

5. CONFIGURATION WIZARD

The iJW controller features an advanced configuration “wizard” that, via a guided procedure, helps users to choose a embedded configuration and set the main unit parameters.

The wizard can be run from the user terminal or from the Applica app; in the latter case, the controller can be configured via Bluetooth™ (on models where featured) with the controller powered, or via NFC even without power connected.

5.1 Wizard from the user terminal

When first started, the iJW controller shows the message “CFG” on the display, indicating that the configuration wizard needs to be run. On pressing the PRG key the user can decide whether or not to run the wizard, using UP and DOWN to select “yES” (run the wizard) or “no” (skip the wizard), and confirming by pressing PRG again. When running the wizard, one of the embedded configurations on the controller can be selected (see the list of available configurations and corresponding connections in the Appendix) so as to easily set all the main parameters that allow the unit to function. If deciding not to run the wizard, all the unit parameters will need to be set from the user terminal, using the Applica app or the Applica Desktop configuration software.

Par.	Desc.	Def.	Min	Max	UOM	User	User term.
/S	Working configuration	0	0	IS_Max	-	S	YES
A5	Digital input (ID2) configuration:	0	0	6	-	U	YES
(wizard only)	0 = Not configured	3 = NO door switch	5 = NO remote ON/OFF				
	1 = NO external alarm	4 = NC door switch	6 = NC remote ON/OFF				
	2 = NC external alarm						
/P1	Configuration of probes S1, S2, S3, S4, B5 0 = PT1000; 1 = PTC; 2 = NTC; 3 = NTC-LT; 4 = NTC-HT.	2	0	4	-	S	NO

The procedure for running the wizard from the user terminal is illustrated in the figure. To complete the configuration, the values of the following parameters need to be set:

IS: configuration number;

A5: function and logic (NO/NC) of the digital input;

/P1: type of temperature probes.

The service icon on indicates that one of the wizard parameters has never been displayed; all three parameters must be displayed at least once in order to complete the procedure.

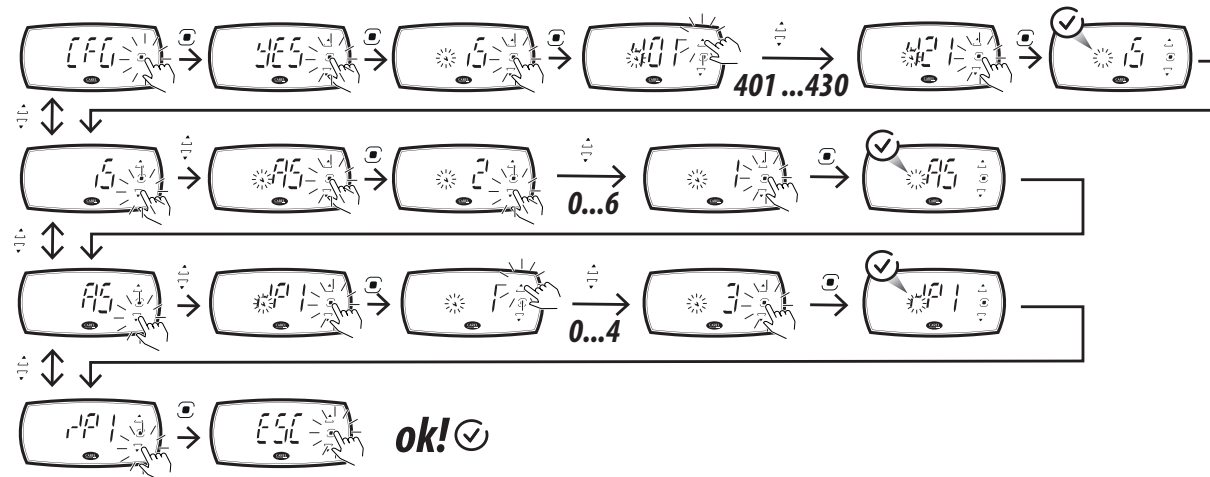


Fig. 5.a

Notice: if the procedure is not completed, the values are not saved and the next time the controller is switched on the display repeats the procedure, showing “CFG”. Only after completing the procedure or skipping the wizard will the controller show the standard display.

Caution: the wizard can be repeated by resetting the controller to the factory values using parameter rSC; in this case, however, all the settings made previously will be lost (unless the parameter configuration has been saved, see the section on Configurations).

5.2 Wizard from the Applica app

When connecting via the Applica app to a controller on which the configuration wizard has never been completed or has been skipped, the app proposes the configuration wizard, used to select the desired configuration, set the main parameters and save and share the settings.

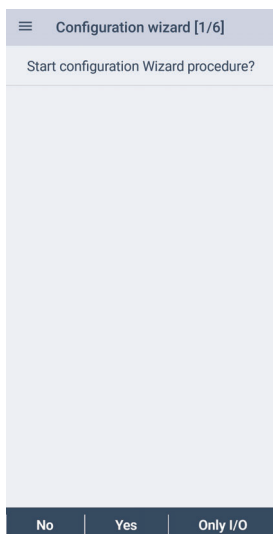


Fig. 5.b

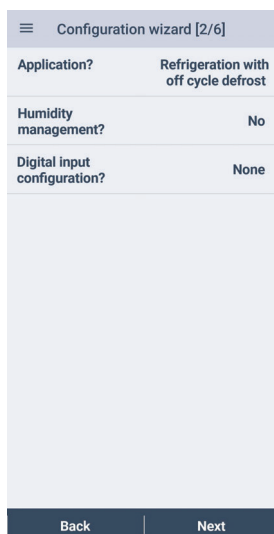


Fig. 5.c



Fig. 5.d

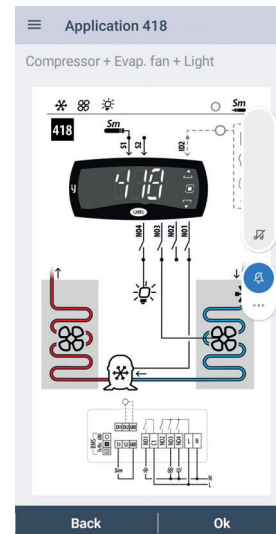


Fig. 5.e

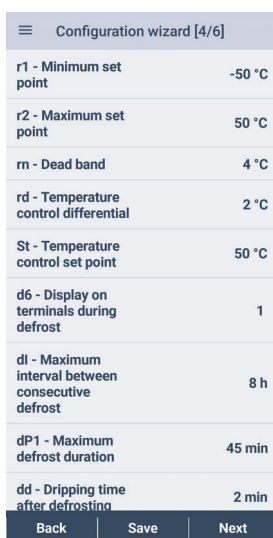


Fig. 5.f

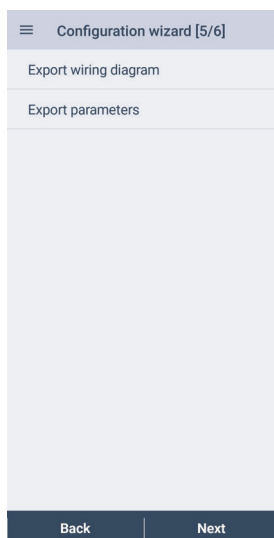


Fig. 5.g

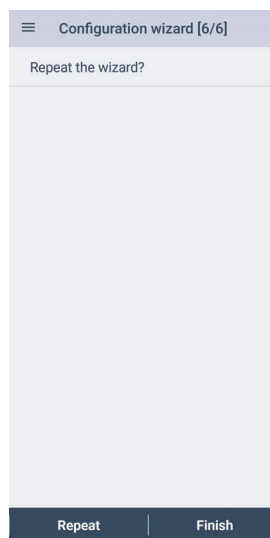


Fig. 5.h

Procedure:

1. open Applica on the smartphone;
2. access the controller via NFC or Bluetooth™, entering the profile credentials;
3. move the smartphone closer to the iJW controller to be configured (NFC connection only);
4. follow the guided procedure: on screen 1/6, selecting "No" skips the wizard, selecting "Only I/O" configures the parameters relating to the controller inputs and outputs and some main parameters, while selecting "Yes" goes to the next screen 2/6 where, by simply answering a few questions, a list of configurations embedded on the controller is selected and displayed on the next screen, 3/6. After having selected the desired configuration from those available, the app shows the connection diagram and the user can then confirm the configuration or return to the list; if the configuration is confirmed, screen 4/6 is shown, where the main parameters can be set. Once having set the parameters, go to screen 5/6 to save and share the connection diagram and the parameter list. Finally, on screen 6/6 the user can choose whether to repeat the wizard, cancelling the settings made, or to terminate the wizard and save the configuration and the parameters set on the controller.
5. move the smartphone closer to the iJW controller to write the configuration and the parameter settings (NFC connection only).

6. INITIAL CONFIGURATION

Once the electrical connections have been completed (see "Installation") and the power supply has been connected, the operations required for commissioning the controller depend on the type of interface used, however essentially involve setting the initial configuration parameters and where necessary the date/time and the time bands. The parameter configuration procedure can be run on the user terminal, a mobile device (with the Applica app), or the Applica Desktop configuration software. The parameters used for commissioning are shown in the Parameter table.

⚠ Caution:

- the parameters that can be set on the user terminal and in the Applica app may vary according to the rights assigned to the access profile, defined by the manufacturer. Therefore, not all of the following parameters may be visible or modifiable.
- Some operations can only be performed using Applica or the Applica Desktop configuration software, for example, configuring the display during defrost or setting the date/time and time bands.

Initial configuration parameters

Par.	Menu	Desc.	Def.	Min	Max	UOM	User
St	Ctl	Temperature control set point	50	r1	r2	°C/°F	U
/5	Pro	Unit of measure: 0 = °C; 1 = °F	0	0	1	-	U
/6	Pro	Display decimal point (main screen only): 0 = visible; 1 = not visible	0	0	1	-	S
/t1	Pro	Display on user terminal: 0 = Not configured 1 = value of S1 2 = value of S2 3 = value of S3 4 = value of S4 5 = value of S5 6 to 8 = not available 9 = control probe 10 = virtual probe 11 to 14 = not available 15 = actual control set point	10	0	16	-	S
d6	-	Display during defrost: 0 = temperature alternating with dEF; 1 = freeze display; 2 = dEF	1	0	2	-	S
dl	dEF	Maximum interval between defrosts	8	0	240	h	S
dP1	dEF	Maximum defrost duration	45	1	240	min	S
AH	ALM	Relative high temperature alarm threshold	0	0	555/999	Δ °C/°F	S
AL	ALM	Relative low temperature alarm threshold	0	0	200/360	Δ °C/°F	S
Hb	CnF	Enable buzzer: 0 = disabled; 1 = enabled	1	0	1	-	U
/P1	Pro	Configuration of probes S1, S2, S3, S4, B5 0 = PT1000; 1 = PTC; 2 = NTC; 3 = NTC-LT; 4 = NTC-HT	2	0	4	-	S
/P2	Pro	Configuration of multifunction input S3/ DI1: 0, 1, 2, 3, 4 = S3; 5 = DI1.	5	0	5	-	S

(*): U = User; S = Service.

6.1 Description of the initial configuration parameters

St: temperature control set point

Parameter St is used to set the temperature control set point.

Par.	Menu	Desc.	Def.	Min	Max	UOM	User
St	Ctl	Temperature control set point	50/122	r1	r2	°C/°F	U

rd: temperature control differential

Parameter rd is used to set the temperature control differential (see "Control").

Par.	Menu	Desc.	Def.	Min	Max	UOM	User
rd	Ctl	Temperature control differential	2.0/3.6	0.1/0.2	99.9/179.2	Δ °C/°F	S

/5, /6, /t1: display on user terminal

Parameters /5, /6 and /t1 are used to set the display shown on the user terminal. Parameter /5 sets the unit of measure °C or °F, parameter /6 sets whether or not the decimal digit is displayed and parameter /t1 sets the value displayed, either the control probe or virtual probe reading, or one of the set points. By default, the virtual control probe value is displayed, expressed in °C with one decimal.

Par.	Menu	Desc.	Def.	Min	Max	UOM	User
/5	Pro	Unit of measure: 0 = °C; 1 = °F	0	0	1	-	U
/6	Pro	Display decimal point (main screen only): 0 = visible; 1 = not visible	0	0	1	-	S
/t1	Pro	Display on user terminal: 0 = Not configured 1 = value of S1 2 = value of S2 3 = value of S3 4 = value of S4 5 = value of S5 6 to 8 = not available 9 = control probe 10 = virtual probe 11 to 14 = not available 15 = actual control set point	9	0	15	-	S

d6: display on user terminal during defrost

Parameter d6 is used to set the display shown on the user terminal when defrosting, chosen between the value selected by parameter /t1 alternating with the message 'dEF', the last value shown before defrosting, or 'dEF' alone on steady. By default, the virtual control probe value is shown, alternating with the message dEF.

Par.	Menu	Desc.	Def.	Min	Max	UOM	User
d6	-	Display during defrost: 0 = temperature alternating with dEF; 1 = freeze display; 2 = dEF	1	0	2	-	S

dl, dP1: defrost parameters

Parameter dl is used to set the maximum possible interval between defrosts, while parameter dP1 is used to set the maximum defrost duration. See “Functions” for more details.

Par.	Menu	Desc.	Def.	Min	Max	UOM	User
dl	dEF	Maximum interval between defrosts	8	0	240	h	S
dP1	dEF	Maximum defrost duration	45	1	240	min	S

Hb: enable buzzer

Parameter Hb is used to enable or disable the buzzer built into the controller; the buzzer is enabled by default.

Par.	Menu	Desc.	Def.	Min	Max	UOM	User
Hb	CnF	Enable buzzer: 0 = disabled; 1 = enabled	1	0	1	-	U

/P1, /P2: probe types

Probes S1, S2, S3 can be configured as NTC, PTC, PT1000, NTC_HT or NTC_LT. Parameter /P1 is used to set the type of temperature probe. Parameter /P2 is used to choose whether the multifunction input S3/ID1 is configured as a temperature probe (and in this case it will be same type set by parameter /P1) or as a digital input. Parameters /P1 and /P2 can only be set using Applica or the Applica Desktop configuration software.

Notice: the temperature probes must all be the same type.

Par.	Menu	Desc.	Def.	Min	Max	UOM	User
/P1	Pro	Configuration of probes S1, S2, S3, S4, B5 0 = PT1000; 1 = PTC; 2 = NTC; 3 = NTC-LT; 4 = NTC-HT	2	0	4	-	S
/P2	Pro	Configuration of multifunction input S3/ ID1: 0, 1, 2, 3, 4 = S3; 5 = ID1.	5	0	5	-	S

AH/AL: relative high and low temperature alarm thresholds

Parameters AH and AL are used to set the thresholds relative to the set point for the high and low temperature alarms. For details on the high and low temperature alarms, see “Alarms”.

Par.	Menu	Desc.	Def.	Min	Max	UOM	User
AH	ALM	Relative high temperature alarm threshold	0	0	555/999	Δ °C/°F	S
AL	ALM	Relative low temperature alarm threshold	0	0	200/360	Δ °C/°F	S

6.2 Set date/time and time bands

The smartphone’s date and time can be used to set the controller’s date/time, via the drop-down menu on the side in Applica, selecting “settings-->device-->set date/time”.

Procedure for setting the time bands:

1. open Applica on the smartphone;
2. access the controller via NFC or Bluetooth™, entering your profile credentials;
3. open the “Scheduler” section;
4. define the time bands for the different days of the week;
5. apply the set schedule to the controller (upload button at the top-right for connection via NFC).

Notice:

- 8 daily time bands can be configured by setting parameters tS1, tE1 to tS8, tE8.
- always check the correct date and time setting for using the logs and other functions that refer to the RTC.

The correct date and time setting is required for some of the iJW controller’s functions to work correctly:

- activation of the light or auxiliary output (par. H8) according to the set time bands;
- scheduled defrosts;
- counting operating hours and activation of the maintenance alarm when a set threshold is exceeded;
- periodic and event logging.

Notice: parameter dl can be used to set cyclical defrosts every “dl” hours, even if the RTC clock is not fitted.

Caution: changing the time set on the iJW controller by more than 140 minutes will clear the stored logs.

6.3 Checks after configuration

Once having completed the installation, configuration and programming operations, after commissioning the controller check that:

- the programming logic is suitable to control the unit and the system in question;
- the time has been set on the controller;
- the time bands have been set correctly;
- the standard display has been set on the user terminal;
- the appropriate unit of measure has been set for the temperature probes (°C or °F);

Caution: at the end of the commissioning procedure, the alarm log can be reset via the Applica app. See “Alarms”.

7. FUNCTIONS

The following paragraphs describe how to implement a detailed parameter configuration. The parameters described below can be configured via the Applica Desktop configuration software or the Applica app.

⚠ Caution: the information available in Applica may vary according to the password set and the configuration defined by the unit manufacturer, and consequently not all of the parameters shown may be visible or modifiable. For details on the parameters and the related access levels, see the "Parameter table".

7.1 ON/OFF

The unit can be switched on or off in different ways: user interface (button or parameter), supervisor and digital input. Parameter On is used to switch the controller ON/OFF. If there is a digital input configured as remote ON/OFF, this has higher priority than the supervisor command or the On parameter.

Code	Desc.	Def.	Min	Max	UOM	User	User terminal
DIF	Assign remote ON/OFF digital input - see DIA	...	0	4	-	S	NO
On	ON/OFF command 0= OFF; 1 = ON.	1	0	1	-	U	YES

In this operating mode, the display shows the standard display set by parameter /t1, alternating with the message "OFF".

Functions enabled/disabled in OFF status

Function	Enabled	Disabled
Compressor control (off and pump down valve closed)		●
Dead band control		●
Auxiliary compressor control with and without rotation		●
Defrost		●
Evaporator fan control		●
Humidity control		●
Continuous cycle		●
Condensing fan control (if enabled)		●
Logs	●	
Low temperature alarm LO		●
High temperature alarm HI		●
Immediate alarm from external contact IA		●
Delayed alarm from external contact dA		●
Defrost ended due to timeout alarm Ed1, Ed2		●
Pump down ended after maximum time alarm Pd		●
Low pressure alarm from external contact LP		●
Autostart in pump down alarm AtS		●
High condenser temperature warning and alarm cht, CHt	●	
Open door alarm dor		●
Frost protection alarm AFr		●
Type HA and HF HACCP alarm	●	
Buzzer (off) and alarm relay (non-alarm status)		●
HACCP control		●
Defrost according to scheduled time bands		●
Timed defrost (timer "dl" updated)		●
Defrost from digital input (if enabled)		●
Defrost from keypad and supervisor		●
High and low power supply voltage alarm EHI and ELO		●
Generic alarm with high threshold GHI and GLO		●
Refrigerant leak alarm rSF	●	
Maintenance request SrC		●
Parameter setting and display	●	
Auxiliary relay on/off	●	
Autostart compressor in pump down (if enabled)	●	
Door switch limited to light management	●	
Control probe error alarm rE	●	
Probe error alarm E1, E2, E3, E4	●	
Clock not updated (if featured) alarm Etc	●	
Configuration not terminated correctly alarm SF	●	
Configuration write error CE	●	
Light or aux on/off based on scheduled time bands		●
Set point changed based on scheduled time bands	●	

Tab. 7.a

🔍 Notice: in Off status, the defrost interval dl is always updated, in order to maintain the cyclical nature of this interval. If a defrost interval expires when the unit is off, the event is recorded and, when the unit is switched on, a defrost request is generated.

The transition from On to Off occurs as follows:

- the compressor protection times are observed;
- pump down is performed (if enabled);
- defrosting is forcibly terminated and will not resume when switching On;
- the continuous cycle is forcibly terminated and will not be resumed when switching On.

The transition from Off to On occurs as follows:

- the compressor protection times are observed;
- defrosting is not performed at start-up (if enabled), this in fact refers to power-on;
- the compressor and fan delay at start-up c0 is not set, and refers to power-on.

7.2 Inputs and outputs

The iJW controller has a maximum of 3 analogue inputs, 2 digital inputs and 1 multifunction input. In addition, on some models, an additional analogue input is available for connecting a humidity probe. iJW has a maximum of 6 digital outputs. See “Description of the terminals”, NTC, PT1000, PTC, NTC HT or NTC LT temperature probes can be connected to the analogue inputs; all probes must be the same type. See the parameter table.

Analogue inputs

Size	Code	Probes					Active 0 to 5 V ratiometric
		Passive					
		NTC (-50T90 °C)	Pt1000 (-60T120 °C)	PTC (-50T150 °C)	NTC HT (-40T150 °C)	NTC LT (-80T105 °C)	
SMALL	IJWPSA**01*****	YES	YES	YES	YES	YES	NO
	IJWPSA**02*****	YES	YES	YES	YES	YES	NO
	IJWPSA**07*****	YES	YES	YES	YES	YES	YES
LARGE	IJWPLA**01*****	YES	YES	YES	YES	YES	NO
	IJWPLA**02*****	YES	YES	YES	YES	YES	NO
	IJWPLA**07*****	YES	YES	YES	YES	YES	YES

Tab. 7.b

7.2.1 Probes (analogue inputs)

Analogue input Parameter for type of probe	Small				Large			
	S1 /P1	S2 /P1	S3 /P2	S3 /P2	S1 /P1	S2 /P1	S3 /P2	S4 /P1
0: PT1000	●	●	●		●	●	●	●
1: PTC	●	●	●		●	●	●	●
2: NTC	●	●	●		●	●	●	●
3: NTC-LT	●	●	●		●	●	●	●
4: NTC-HT	●	●	●		●	●	●	●
5: Digital input				●				●

Tab. 7.c

The 0-5 V ratiometric humidity probe, available on some models, does not need to be configured.



Caution: for the maximum current that can be supplied to the ratiometric probes, see the Technical specifications table.

To assign the function to each physical probe, configure parameters /FA, /Fb, ... /FR. See the parameter table.

Probe	Par.	Probe	Par.	Probe	Par.
Outlet (Sm)	/FA	Auxiliary temperature 1 (Saux 1)	/FG	Condensing temperature	/Fo
Defrost (Sd)	/Fb	Auxiliary temperature 2 (Saux 2)	/FH	Ambient humidity	/Fp
Intake (Sr)	/Fc	Ambient temperature	/FI	Frost protection temperature	/Fq
Defrost probe 2 (Sd2)	/FF	Glass temperature	/FM	Product temperature	/FR

Tab. 7.d

Example of probe configuration.

To associate a function with a physical probe, set the value of the corresponding parameter /Fx to the value corresponding to the probe, as shown in the following table. For example, to assign the outlet temperature to probe S1, set parameter /FA to 1.

Code	Desc.	Def.	Min	Max	UOM	User	User terminal
/FA	Assign outlet temperature probe (Sm)	...	0	7	-	S	No
	0 = Function disabled						
	1 = Probe S1						
	2 = Probe S2						
	3 = Probe S3						
	4 = Probe S4						
	5 = Reserved						
	6 = Not available						
	7 = Not available						

The assignment of the controller's default probes depends on the settings made in the wizard.

In all configurations already embedded on the controller:

- S1 = Air off probe (Sm);
with the default settings, this probe corresponds to the virtual control probe Sv.

The default configuration also sets these three probes as NTC. However, other types of probes can be connected by setting parameter /P1.



Notice:

- the configuration /FA = 0 and /Fc = 0 will cause the 'rE' alarm (control probe alarm), as it means that no control probe is associated.
- For a description of the probe functions, see the following paragraphs.

Calibration (parameters /cA to /cr)

iJW offers the possibility to calibrate values read by the probes associated with the various functions set by parameters /FA to /FR. In particular, parameters /cA to /cy are used to increase or decrease the values read by the probes connected to the analogue inputs, consistently with the unit of measure.



Caution HACCP: this modification may not be allowed by HACCP procedures as it alters the measured value. Verify that you have authorisation and record the changes where required.

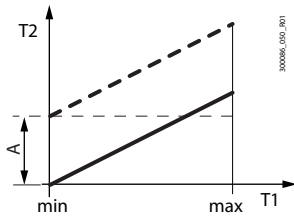


Fig. 7.a

Description

T1	Temperature read by the probe
T2	Calibrated temperature
A	Calibration offset
min, max	Field of measurement

/2: Analogue probe measurement stability and refresh display

Code	Desc.	Def.	Min	Max	UOM	User	User terminal
/2	Analogue probe measurement stability: 0 = probe reading not delayed; ... 9 = maximum probe reading delay	5	0	9	-	S	No
/3	Display probe value: 0 = disabled; 1 = fast update; ... 15 = slow update.	0	1	15	-	S	No

Parameter /2 defines the coefficient used to stabilise the temperature measurement. Low values assigned to this parameter allow a prompt response of the sensor to temperature variations; the reading however become more sensitive to disturbance. High values slow down the response, but guarantee greater immunity to disturbance, that is, a more stable, precise and filtered reading.

Parameter /3 is used to refresh the probe readings displayed; low values of /3 mean the display is refreshed quickly, high values mean it is refreshed slowly.



Note: parameter /3 only affects the display of the probe readings and not the value used for control.

7.3 Digital inputs

iJW manages up to 2 physical digital inputs and 1 multifunction input. See "Installation".

To associate an input to each available function, set parameters DIA, DIb, ... DIr to the value relating to the physical or virtual digital input. See the parameter table.

Digital input functions

Digital input assignment for:	Par.	Contact (*)	
		Open	Closed
immediate external alarm	DIA	Alarm active	Alarm not active
delayed external alarm	DIb	Alarm active	Alarm not active
enable defrost	DIC	Defrost not enabled	Defrost enabled
start defrost	DIc	No effect	Start defrost
door switch with stopping control	DIe	Door open	Door closed
remote ON/OFF	DIf	OFF	ON
curtain switch/light	DIG	Day status	Night status (ECO mode)
start/stop continuous cycle	DIH	Stop continuous cycle	Start continuous cycle
door switch without stopping control	DIP	Door open	Door closed
generic alarm function	DIS	Alarm active	Alarm not active
low pressure switch	DIt	Alarm active	Alarm not active
auxiliary input	DIU	Auxiliary input deactivated	Auxiliary input activated

Tab. 7.e

(*) Default configuration with parameters rIA, rIb, ..., rIU = 0; by setting the corresponding parameters rIA, rIb, ..., rIU = 1, the contact logic is reversed and therefore the meanings of open/closed are also reversed.

Example of digital input configuration.

To associate a function with a digital input, set the value of the corresponding parameter to the value corresponding to the input, as shown in the following table. For example, to assign the immediate external alarm to input ID1, set parameter DIA to 1.

Code	Desc.	Def.	Min	Max	UOM	User	User terminal
DIA	Assign immediate external alarm digital input: 0 = Disabled; 1 = ID1; 2 = ID2; 3, 4 = Not available	...	0	4	-	S	No

The assignment of the controller's default inputs depends on the settings made in the wizard.

If the opposite logic to the default setting is required, or to correct a wiring error, the logic of the functions associated with the digital inputs using parameters rIA, rIb, ... rIU can be reversed.

Code	Desc.	Def.	Min	Max	UOM	User	User terminal
rIA, rIb, ..., rIU	Reverse digital input logic	0	-	0	1	S	No

Immediate external alarm (par. DIA)

Activation of the alarm causes:

- message 'IA' shown on the display and the "Service" icon flashing;
- activation of the buzzer (see par. Hb);
- activation of the alarm relay (see par. DOB);
- deactivation of the compressor output (see par. DOA).

Notice: activation of the external alarm shuts down the evaporator fan only if this follows the status of the compressor output, as set for parameter /F2. The compressor is shut down immediately due to an external alarm, and consequently the compressor ON time is ignored (parameter c3).

Code	Desc.	Def.	Min	Max	UOM	User	User terminal
DIA	Assign immediate external alarm digital input: 0 = Disabled; 1 = ID1; 2 = ID2; 3, 4 = Not available	...	0	4	-	S	No

Delayed external alarm (par. DIb)

The behaviour of this alarm is the same as for the immediate external alarm, with a delay in activation set by parameter A7. If set to 0, the alarm is signal-only.

Code	Desc.	Def.	Min	Max	UOM	User	User terminal
DIb	Assign delayed external alarm digital input - see DIA	...	0	4	-	S	No

Enable defrost (par. DIc)

Used to disable any defrost calls. When the contact is open, all defrost calls are ignored. Par. d5 can be used to delay activation.

Notice:

- if the contact is open while a defrost is in progress, this is immediately stopped, the defrost icon flashes on the display indicating the defrost call is active (this starts again when the contact closes);
- this function may be useful to prevent defrosts on units exposed to the public during store opening hours.

Code	Desc.	Def.	Min	Max	UOM	User	User terminal
DIc	Assign enable defrost digital input - see DIA	...	0	4	-	S	No
d5	Defrost delay at start-up or after command from digital input	0	0	240	min	S	No

Start defrost (par. DId)

Closing the digital contact starts a defrost, if enabled.

Notice: if the defrost is disabled by another digital input configured as "enable defrost", the defrost calls are ignored.

Code	Desc.	Def.	Min	Max	UOM	User	User terminal
DId	Assign start defrost digital input - see DIA	...	0	4	-	S	No
d5	Defrost delay at start-up or after command from digital input	0	0	240	min	S	No

Door switch with compressor stop (par. DIE)

Door open:

- stop compressor and evaporator fan; alternatively, the compressor can stay on by setting parameter DIP (see the description below);
- light on (see par. DOE);
- ALARM flashing;
- disable temperature alarms.

Door closed:

- resume control;
- light off (see par. DOE) with delay set by par. H14;
- ALARM stops flashing;
- enable temperature alarms with delay Ad after bypass time defined by par. Add.

Code	Desc.	Def.	Min	Max	UOM	User	User terminal
DIE	Assign digital input for door switch with solenoid/compressor and evaporator fans OFF - see DIA	...	0	4	-	S	No
DOE	Assign light digital output - see DOA	...	0	6	-	S	No
H14	Time light stays on after closing the door	0	0	240	min	U	No
Add	High temperature alarm bypass time for door open	30	1	240	min	U	No

 **Caution:** check compatibility of disabling/delaying the alarm with the site's HACCP procedures.

 **Notice:**

- when control resumes, the compressor times are observed (see the paragraph "Compressor");
- if the door remains open for longer than the value of par. Add, control resumes in any case. The light remains on, the measurement shown on the display flashes, the buzzer and the alarm relay (if enabled) are activated, and the temperature alarms are enabled with delay Ad.

Door switch without compressor stop (par. DIP)

Operating mode that allows the door to be opened without stopping the compressor. In this case, when opening the door, the evaporator fan will stop. This operating mode can be configured by setting parameter DIP with one of the digital inputs. Opening the door introduces a temperature alarm delay as described for the door switch function (par. DIE).

Code	Desc.	Def.	Min	Max	UOM	User	User terminal
DIP	Assign door switch without control stop digital input - see DIA	...	0	4	-	S	No

Remote ON/OFF (par. DIF)

When the controller is OFF:

- the user terminal shows the value measured by the set probe (parameter /t1) alternating with the message OFF;
- the auxiliary relays set as AUX and light remain active, while the other auxiliary outputs are deactivated;
- the buzzer and alarm relay are deactivated;
- the following are not performed: control, defrosts, continuous cycle, temperature alarm signals;
- in the transition from ON to OFF the compressor protection times are observed.

When the controller is ON again, the compressor times are observed and all of the functions are reactivated, except for the defrost on start-up and compressor and evaporator fan delay at power on (par. c0).

 **Notice:**

- the OFF command from digital input has priority over those from the keypad or supervisor;
- if the controller remains OFF for a longer time than the value set for parameter dl, a defrost is performed when the controller is switched on again.

Code	Desc.	Def.	Min	Max	UOM	User	User terminal
DIF	Assign remote ON/OFF digital input - see DIA	...	0	4	-	S	NO
dl	Maximum interval between consecutive defrosts	8	0	240	hours	S	YES
c0	Delay to enable solenoid/compressor and evaporation fans at power-on	0	0	240	min	S	NO

Curtain switch (par. DIG)

Digital input used to manage a curtain and switch from day to night (ECO).

During night status (ECO mode):

- the night-time set point Stn is used for control, calculated based on the set point St plus the offset defined by parameter r4 ($Stn = St + r4$) and r4d is used as the control differential. The control probe can also be modified according to the setting of parameter r6a (0 = virtual probe, 1 = probe), see the paragraph "Control";
- the AUX or light output is deactivated according to the setting of parameter H8.

During day status:

- normal operation resumes: set point = St, virtual probe used as control probe;
- AUX or light output activated according to the setting of parameter H8.

Code	Desc.	Def.	Min	Max	UOM	User	User terminal
DIG	Assign curtain switch digital input - see DIA	...	0	4	-	S	No
H8	Output switched with time bands 0 = Light 1 = AUX	0	0	1	-	S	No
r4	Automatic night set point variation	0	-50/-90	50/90	°C/°F	S	No
r4d	Temperature control differential in ECO mode	4/7.2	0.1/0.2	99.9/179.2	°C/°F	S	
r6a	Night control probe 0/1 = virtual probe Sv/air on probe Sr	0	0	1	-	S	No

Start/stop continuous cycle (par. DIH)

When the contact is closed, the continuous cycle is activated, based on parameters cc and ccE (see "Functions").

When the contact opens again, the continuous cycle is deactivated.

Code	Desc.	Def.	Min	Max	UOM	User	User terminal
DIH	Assign start/stop continuous cycle digital input - see DIA	...	0	4	-	S	No

Generic alarm from digital input (par. DIS)

Activation of the alarm depends on parameter GFA_E. Activation of the alarm causes:

- message GHI shown on the display and ALARM flashing;
- activation of the buzzer (see par. Hb);
- activation of the alarm relay (see par. DOB);

Code	Desc.	Def.	Min	Max	UOM	User	User terminal
DIS	Assign digital input for generic alarm from digital input - see DIA	...	0	4	-	S	No
GFA_E	Generic alarm function, enable 0 = always; 1 = unit ON; 2 = unit OFF; 3 = defrost; 4 = not used; 5 = continuous cycle; 6 = duty setting; 7 = standby; 8 = control; 9 = door open; 10 = active alarm.	8	0	10	-	S	No

Low pressure switch (par. DIt)

If a low pressure switch is connected, the LP alarm is activated on opening. If pump down by pressure is enabled, the pressure switch is used to switch off the compressor and the autostart procedure.

Code	Desc.	Def.	Min	Max	UOM	User	User terminal
DIt	Assign low pressure switch digital input - see DIA	...	0	4	-	S	No

Digital input for activating the output configured as AUX (par. DIU)

Digital input that can be used to activate/deactivate the output configured as AUX (parameter DOC).

Code	Desc.	Def.	Min	Max	UOM	User	User terminal
DIU	Assign AUX output activation digital input - see DIA	...	0	4	-	S	No
DOC	Assign AUX auxiliary digital output - see DOA	...	0	6	-	S	No

7.4 Digital outputs

iJW features up to 6 digital outputs - NO1 to NO6. To associate the digital outputs with the available functions, set parameters DOA, DOB, ... DOz to the value of the physical digital output. See the parameter table.

Digital output functions

Digital output assignment for:	Par.	Digital output assignment for:	Par.	Digital output assignment for:	Par.
Solenoid/compressor	DOA	Dehumidification heater	DOj	Humidifier	DOu
Alarm	DOb	Auxiliary compressor without rotation	DOk	Heading in dead band	DOv
Auxiliary	DOC	Liquid valve	DOn	Auxiliary parallel compressor	DOw
Light	DOE	Condensate drain heater	DOP	Gasket heater	DOx
Defrost	DOG	Anti-sweat heater	DOQ	Auxiliary compressor with rotation	DOy
Auxiliary evaporator defrost	DOH	Generic digital output	DOS	External dehumidifier	DOz
Evaporator fans	DOI	Condenser fans	DOt		

Tab. 7.f
Example of digital output configuration.

To associate a function with a digital output, set the value of the corresponding parameter DIx to the value corresponding to the output, as shown in the following table. For example, to assign the compressor output to relay NO1, set parameter DOA to 1.

Code	Desc.	Def.	Min	Max	UOM	User	User terminal
DOA	Assign solenoid/compressor digital output	...	0	6	-	S	NO
	0 = not configured			4 = digital output 4 (NO4)			
	1 = digital output 1 (NO1)			5 = digital output 5 (NO5)			
	2 = digital output 2 (NO2)			6 = digital output 6 (NO6)			
	3 = digital output 3 (NO3)						

The assignment of the controller's default inputs depends on the settings made in the wizard.

If the opposite logic to the default setting is required, or to correct a wiring error, the logic of the functions associated with the digital outputs using parameters rOA, rOb, ... rOz can be reversed.

Code	Description	Def.	Min	Max	UOM	User	User terminal
rOA, rOb, ..., rOz	Digital output logic: 0=direct; 1=reverse	0	0	1	-	S	NO

Solenoid/compressor (par. DOA)

This is used to assign the compressor or liquid solenoid valve output.

Par.	Description	Def.	Min	Max	UOM	User	User terminal
DOA	Assign solenoid/compressor digital output	...	0	6	-	S	NO
	0 = not configured			4 = digital output 4 (NO4)			
	1 = digital output 1 (NO1)			5 = digital output 5 (NO5)			
	2 = digital output 2 (NO2)			6 = digital output 6 (NO6)			
	3 = digital output 3 (NO3)						

Alarm (par. DOb)

This is used to assign the alarm output. The relay associated with the alarm function can work as follows:

- normally de-energised: the relay is energised when an alarm occurs (rOA = 0);
- normally energised: the relay is de-energised when an alarm occurs (rOA = 1);



Notice: operation with the relay normally energised (rOA = 1) when an alarm occurs ensures maximum safety when the alarm is due to a power failure or power cable disconnection.

Par.	Description	Def	Min	Max	UOM	User	User terminal
DOb	Assign alarm digital output - see DOA	...	0	6	-	S	NO

AUX auxiliary output (par. DOC)

The relay can be activated/deactivated from the supervisor and on changeover between day/night status (linked to the curtain switch or the time band settings). Activation/deactivation of the actuator is signalled by the icon switching on/off (if present). The AUX output to be activated or deactivated based on the night/day time band can be selected (see parameters tS1...8, tE1...8 and H8).

Par.	Description	Def	Min	Max	UOM	User	User terminal
DOC	Assign AUX auxiliary digital output - see DOA	...	0	6	-	S	NO

Light (par. DOE)

The relay can be activated/deactivated using the direct functions on the user terminal, from the supervisor and on changeover between day/night status (linked to the curtain switch or the time band settings). Activation/deactivation of the actuator is signalled by the light icon switching on/off (if present). The light output to be activated or deactivated based on the night/day time band can be selected (see parameters tS1...8, tE1...8 and H8).

Par.	Description	Def	Min	Max	UOM	User	User terminal
DOE	Assign light digital output - see DOA	...	0	6	-	S	NO

Defrost (par. DOG)

The relay is activated/deactivated based on the defrost settings (see "Defrost"). Activation/deactivation of the actuator is signalled by the defrost icon switching on/off on the user terminal (if present).

Auxiliary evaporator defrost (par. DOH)

The relay is activated/deactivated based on the defrost settings (see "Defrost").

Par.	Description	Def	Min	Max	UOM	User	User terminal
DOH	Assign auxiliary evaporator defrost digital output - see DOA	...	0	6	-	S	NO

Evaporator fans (par. DOI)

The relay is activated/deactivated based on the evaporator fan settings (see "Evaporator fans"). Activation/deactivation of the relay is signalled by the evaporator fan icon switching on/off on the display (if present).

Par.	Description	Def	Min	Max	UOM	User	User terminal
DOI	Assign evaporator fan digital output - see DOA	...	0	6	-	S	NO

Dehumidification (par. DOj)

Select the digital output used to manage the dehumidification function. See "Control".

Par.	Description	Def	Min	Max	UOM	User	User terminal
DOj	Assign dehumidification heater digital output - see DOA	...	0	6	-	S	NO

Auxiliary compressor without rotation (par. DOk)

Select the output for the auxiliary compressor without rotation (see "Control"). Setting this output enables an auxiliary compressor that is activated as a second control step, without rotation, i.e. always switching on after the main compressor. In the event of simultaneous request for both steps, the auxiliary compressor is activated after a delay time set by parameter c11, to avoid simultaneous starts.

Par.	Description	Def	Min	Max	UOM	User	User terminal
DOk	Assign auxiliary compressor without rotation digital output - see DOA	...	0	6	-	S	NO
c11	Second compressor start delay	4	0	250	s	S	NO

Pump down valve (par. DON)

Digital output for pump down valve management.

Par.	Description	Def	Min	Max	UOM	User	User terminal
DON	Assign pump down valve digital output - see DOA	...	0	6	-	S	NO

Condensate drain heater (par. DOP)

During defrosting there may be frozen condensate on the bottom of the cabinet that prevents the water thawed from the evaporator from being drained correctly. The digital output can be configured to manage the condensate drain heater function. The heater is switched on before defrosting (dHA) and remains on after the defrost ends, for the time dHE. The heater can be activated by selecting a digital output with par. DOP.



Notice: the heater must be protected against overheating (e.g. thermal protector).

Par.	Description	Def	Min	Max	UOM	User	User terminal
DOP	Assign drain heater digital output - see DOA	...	0	6	-	S	NO
dHA	Condensate drain heater activation time before defrosting	3	1	120	min	S	No
dHE	Condensate drain heater activation time after defrosting	3	1	120	min	S	No

Anti-sweat heater (par. DOQ)

Select the digital output for demisting the glass (see "Anti-sweat heater or fan").

Par.	Description	Def	Min	Max	UOM	User	User terminal
DOQ	Assign anti-sweat heater digital output - see DOA	...	0	6	-	S	NO

Generic function output (par. DOS)

Select the digital output for the generic function with ON/OFF output (see "Generic functions").

Par.	Description	Def	Min	Max	UOM	User	User terminal
DOS	Assign generic function digital output - see DOA	...	0	6	-	S	NO

Evaporator fans (par. DOT)

The relay is activated/deactivated based on the condenser fan settings (see "Condenser fans").

Par.	Description	Def	Min	Max	UOM	User	User terminal
DOT	Assign condenser fan digital output - see DOA	...	0	6	-	S	NO

Humidifier output (par. DOu)

Select the humidification output (see "Humidity management").

Par.	Description	Def	Min	Max	UOM	User	User terminal
DOu	Assign humidification digital output - see DOA	...	0	6	-	S	NO

Reverse dead band output (par. DOv)

Select reverse output for dead band control (see "Control").

Par.	Description	Def	Min	Max	UOM	User	User terminal
DOv	Assign reverse digital output with dead band control - see DOA	...	0	6	-	S	NO

Auxiliary parallel compressor (par. DOw)

Select the auxiliary parallel compressor output (see "Control"). Setting this output enables an auxiliary compressor that works in parallel with the main compressor. A delay time can be set using parameter c11 to avoid simultaneous starts.

Par.	Description	Def	Min	Max	UOM	User	User terminal
DOw	Assign auxiliary parallel compressor digital output - see DOA	...	0	6	-	S	NO
c11	Second compressor start delay	4	0	250	s	S	NO

Gasket heater (par. DOx)

Select the digital output for the door gasket heater (see "Gasket heater").

Par.	Description	Def	Min	Max	UOM	User	User terminal
DOx	Assign gasket heater digital output - see DOA	...	0	6	-	S	NO

Auxiliary compressor with rotation (par. DOy)

Select the output for the auxiliary compressor with rotation (see "Control"). Setting this output enables an auxiliary compressor that is activated as a second control step, with rotation, i.e. alternating with the compressor that starts first so as to balance the operating hours of the two compressors. In the event of simultaneous request for both steps, the second compressor is activated after a delay time set by parameter c11, to avoid simultaneous starts.

Par.	Description	Def	Min	Max	UOM	User	User terminal
DOy	Assign auxiliary compressor with rotation digital output - see DOA	...	0	6	-	S	NO
c11	Second compressor start delay	4	0	250	s	S	NO

External dehumidifier (par. DOz)

Select the digital output for activation of an external dehumidifier (see "Humidity management").

Par.	Description	Def	Min	Max	UOM	User	User terminal
DOz	Assign external dehumidifier digital output - see DOA	...	0	6	-	S	NO

7.4.1 Test output mode

The iJW controller provides the possibility to test the operation of the outputs, either from the Applica Desktop configuration software or via the Applica app, by accessing Service area > Test mode.

Par.	Description	Def	Min	Max	UOM	User	User terminal
Mr1	Test mode, activate relay 1: 0 = disabled; 1 = automatic; 2 = activated	1	0	2	-	S	NO
Mr2	Test mode, activate relay 2 - see Mr1	1	0	2	-	S	NO
Mr3	Test mode, activate relay 3 - see Mr1	1	0	2	-	S	NO
Mr4	Test mode, activate relay 4 - see Mr1	1	0	2	-	S	NO
Mr5	Test mode, activate relay 5 - see Mr1	1	0	2	-	S	NO
Mr6	Test mode, activate relay 6 - see Mr1	1	0	2	-	S	NO
Mt	Manual mode duration (0 = manual mode always active)	10	0	90	min	S	NO

Parameters Mr* are used to activate the relays manually:

- Mr* = 0 the corresponding relay is deactivated;
- Mr* = 1 the corresponding relay is activated/deactivated automatically by the controller based on the associated function;
- Mr* = 2 the corresponding relay is activated.

The message 'Man' is shown on the display when at least one output is set in manual mode.

After a time set using parameter Mt, automatic operation resumes.

⚠ Caution: If Mt = 0 operation remains in manual mode until automatic operation resumes.

7.5 Control

Various modes are available for controlling the air temperature for the preservation of foodstuffs, depending on which probes are installed and their position. The following figure shows the position of the intake probe (air on) Sr and the outlet probe (air off) Sm. The virtual probe Sv is a weighted average of these two probes, based on parameter /4, according to the following formula:

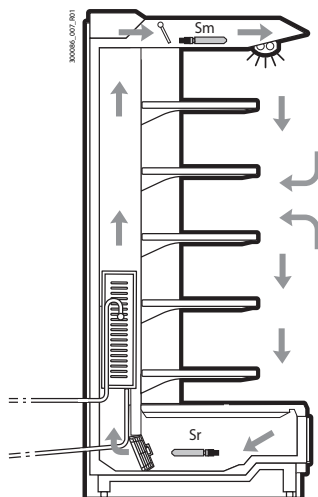
$$Sv = \frac{Sm \cdot (100 - /4) + Sr \cdot (/4)}{100}$$

Par.	Description	Def	Min	Max	UOM	User	User terminal
/4	Virtual probe composition: 0 = Air off probe Sm; 100 = Air on probe Sr	0	0	100	%	S	NO

For example, if /4=50, Sv=(Sm+Sr)/2 represents an estimated value of the air temperature around the refrigerated food.

🔍 Notice: HACCP: parameter /4 can be set to change the temperature used for control and for display. This operation may be prohibited by HACCP procedures or require record keeping and authorisation.

Example: vertical showcase



Ref.	Description
Sm	Air off probe
Sr	Air on probe
Sv	Virtual probe

Fig. 7.b

During the day, most of the load in a refrigerated showcase is due to warm air that enters from the outside and mixes with the cold air inside. Control based on the air on probe, due to high temperature outside the showcase and the mixing of the air, may not manage to reach the set point. Displaying the intake temperature would show a temperature that is too high. Setting a set point that is too low for the air on probe Sr may cause the food to freeze. On the other hand, displaying the outlet temperature would show a temperature that is too low. Consequently, the display of the control probe, set point or virtual probe can be configured using parameter /t1.

ON/OFF control on the control probe is defined by:

- set point;
- differential

These values determine the control request and consequently, allowing for the protection times, disabling functions or activation/deactivation delays, the activation/deactivation of the compressor.

Par.	Description	Def	Min	Max	UOM	User	User terminal
St	Temperature control set point	50/122	r1	r2	°C/°F	U	YES
rd	Temperature control differential	2/3.6	0.1/0.2	99.9/179.2	Δ °C/°F	S	YES

Notice for HACCP: the set point and differential are critical parameters for food storage.

Modifications to these settings may be prohibited by HACCP procedures or require record keeping and authorisation. The minimum and maximum value of the set point can be set by parameter.

Par.	Description	Def	Min	Max	UOM	User	User terminal
r1	Minimum set point	-50/-58	-99 /-146.2	r2	°C/°F	S	NO
r2	Maximum set point	50/122	r1	200/392	°C/°F	S	NO

Control offset with probe error

Par.	Description	Def	Min	Max	UOM	User	User terminal
ro	Control offset with probe error	0	0	20/36	Δ °C/°F	S	NO

The iJW controller in standard mode uses the virtual probe Sv for control, that is, the weighted average of the air off and air on probes (see parameter /4). If one of the two probes making up the virtual probe is broken or has an error, parameter ro is used to continue normal control in controlled conditions, without the need for immediate intervention by maintenance personnel. The recommended value of ro is the temperature difference between the air off probe and air on probe reading in steady operating conditions of the refrigeration unit:

$$ro = Sr - Sm$$

The following cases may occur:

- air off probe Sm error: control starts based on the air on probe Sr alone, considering a new set point (St*) determined by the formula:

$$St^* = St + ro \cdot \frac{(100 - '/4')}{100}$$

- air on probe Sr error: based starts on the air off probe Sm alone, considering a new set point (St*) determined by the formula:

$$St^* = St - ro \cdot \frac{'/4'}{100}$$

Notice:

- if ro = 0 the function is not active;
- for night-time operation the new set point is added to the value defined by r4 (= automatic night-time set point variation);
- in the event of errors on both probes, the controller switches to duty setting operation.

Example

Sm fault in daytime operation, with /4=50, St=-4, Sr=0, Sm=-8, ro (recommended) = 0-(-8) = 8.

Then the new control probe will be Sr with:

$$St^* = St + ro \cdot \frac{(100 - '/4')}{100}$$

$$St^* = -4 + 8 \cdot (100 - 50) / 100 = 0.$$

If the fault is on Sr, the new control probe will be Sm with:

$$St^* = St - ro \cdot \frac{'/4'}{100}$$

$$St^* = -4 - 8 \cdot 50 / 100 = -8.$$

Duty setting operation

Duty setting is a special function used to maintain control in emergency situations with errors in the temperature control probes, until a service intervention. In the event of a temperature probe error, the controller uses the other probe available and adjusts the set point according to the setting of parameter ro. In the event of errors on both probes, the controller switches to a special mode called “duty setting”. Control is activated at regular intervals, operating for a time equal to the value set for the duty setting parameter c4, and off for a fixed time of 15 minutes.

Par.	Description	Def	Min	Max	UOM	User	User terminal
c4	ON time for duty setting operation (Toff = 15 minutes, fixed value): 0 = compressor always OFF; 100 = compressor always ON.	0	0	100	min	S	NO

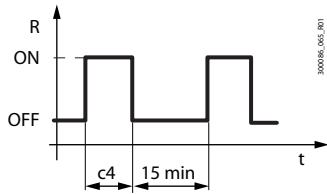


Fig. 7.c

Ref.	Description
R	Control
c4	ON time
t	Time

With duty setting active, during the ON time the solenoid/compressor icon remains on, while it flashes during the OFF time. The table below describes the possible fault situations relating to the control probes and the function that is activated.

Type of system	Control probe fault		Control	Parameter
	Sm	Sr		
1 probe	●		Duty setting	c4
		●	Duty setting	c4
2 probes	●		control on Sr	ro(*)
		●	control on Sm	ro(*)
	●	●	Duty setting	c4

* Only when ro>0.

Tab. 7.g

7.6 Control modes

Three control modes are available, based on the setting of parameter r30:

- r30 = 0, direct with defrost control (default);
- r30 = 1 direct;
- r30 = 2 reverse; operation suitable for hot food showcases;

Par.	Description	Def	Min	Max	UOM	User	User terminal
r30	Control mode: 0 = direct with defrost; 1 = direct; 2 = reverse	0	0	2	-	S	NO

The figure shows the behaviour of direct and reverse mode. The difference between direct control and direct control with defrost control is that in the former case defrosting is disabled, while in the latter case it is enabled; defrosting is enabled by default.

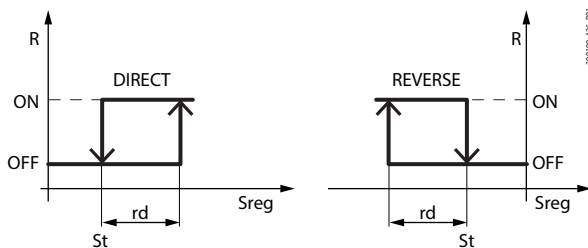


Fig. 7.d

Ref.	Description
St	Set point
rd	Differential
Sreg	Control probe
R	Control request

ON/OFF control depends on the capacity of the produce to absorb and release heat, as well as on the evaporator cooling time. The temperature therefore fluctuates above and below the set point, and this may cause a decline in the quality of food preservation. Decreasing the differential to make control more precise increases the frequency of compressor on/off cycles. Precision of the measurement is in any case limited by the tolerance of both the controller and the probe.

7.6.1 Control with auxiliary compressor

In addition to the main compressor, the iJW controller can manage a second compressor output that either acts as a second control step, with or without rotation, or in parallel with the main compressor:

- auxiliary compressor without rotation (parameter DOK)
- auxiliary compressor with rotation (parameter DOY)
- parallel compressor without rotation (parameter DOW)

Stepped control

Control with the auxiliary compressor enabled is illustrated in the figure. If the auxiliary compressor is configured without rotation (par. DOK), the main compressor is always activated first, while if the auxiliary compressor is configured with rotation (par. DOY), on each activation request the compressor that starts first is alternated, with FIFO rotation, so as to balance the operating hours of the two compressors.

The auxiliary compressor is activated with a delay that can be set using parameter c11, to avoid simultaneous starts.

Par.	Description	Def	Min	Max	UOM	User	User terminal
c11	Second compressor start delay	4	0	250	s	S	NO
DOA	Assign solenoid/compressor digital output	...	0	6	-	S	NO
	0 = not configured 3 = digital output 3 (NO3) 5 = digital output 5 (NO5)						
	1 = digital output 1 (NO1) 4 = digital output 4 (NO4) 6 = digital output 6 (NO6)						
	2 = digital output 2 (NO2)						
DOK	Assign auxiliary compressor without rotation digital output - see DOA	...	0	6	-	S	NO
DOY	Assign auxiliary compressor with rotation digital output - see DOA	...	0	6	-	S	NO

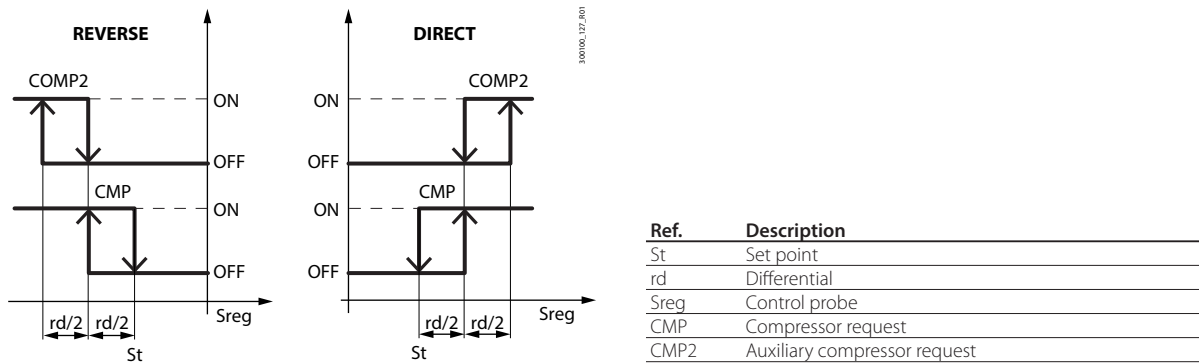


Fig. 7.e

Parallel control

If the second compressor is configured as an auxiliary parallel compressor, control behaviour and activation of the two outputs are shown in the figure. The delay set by parameter c11 is always observed.

Par.	Description	Def	Min	Max	UOM	User	User terminal
c11	Second compressor start delay	4	0	250	s	S	NO
DOW	Assign auxiliary parallel compressor digital output - see DOA	...	0	6	-	S	NO

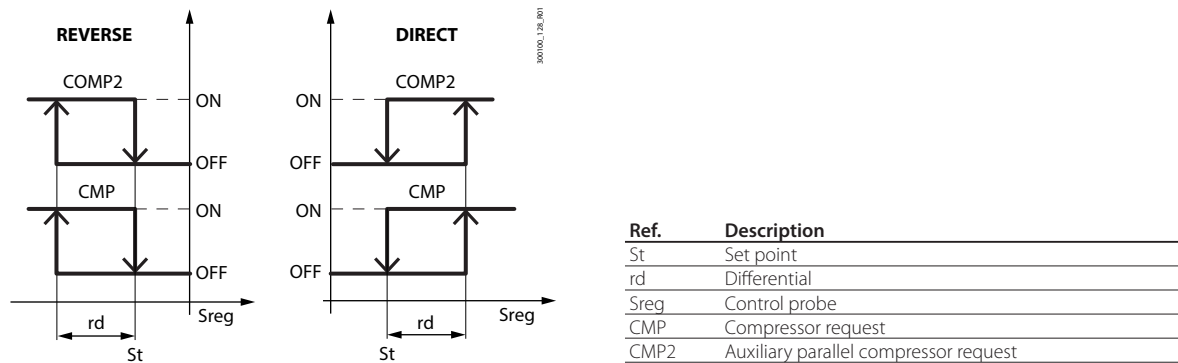


Fig. 7.f

7.6.2 Dead band control

If a digital output has been configured for reverse control in the dead band (par. DOv), control takes into account a dead band around the set point, with an amplitude that can be set using parameter rn. The reverse output is activated with a differential set using parameter rr. Control with dead band varies according to the control mode selected using parameter r30 and whether or not the second auxiliary or parallel compressor is available. The figures show the different behaviour with or without an auxiliary compressor; the behaviour with parallel compressor is similar to when the main compressor only is used.

For the auxiliary compressor, the delay set by parameter c11 is always observed.

Par.	Description	Def	Min	Max	UOM	User	User terminal
r30	Control mode: 0 = direct with defrost; 1 = direct; 2 = reverse	0	0	2	-	S	NO
rn	Dead band	4.0	0.0	60.0 / 108	°C/°F	S	NO
rr	Reverse output differential	2.0	0.0	20.0 / 36	°C/°F	S	NO
DOv	Assign reverse digital output with dead band 0 = Function disabled 1 = NO1; 2 = NO2; 3 = NO3; 4 = NO4	0	0	6	-	S	NO

Direct control in dead band without auxiliary compressor

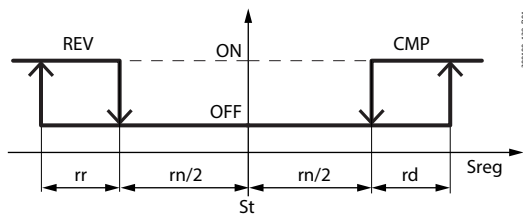


Fig. 7.g

Ref.	Description
St	Set point
rd	Differential
rn	Dead band
rr	Reverse output differential
Sreg	Control probe
CMP	Compressor request
REV	Reverse output request in dead band
COMP2	Auxiliary compressor request (par. DOK or par. DOy)

Direct control in dead band with auxiliary compressor

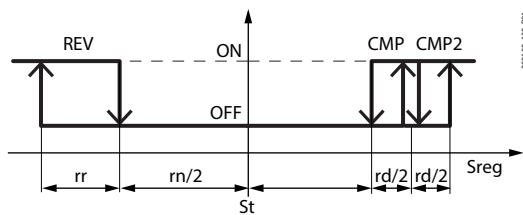


Fig. 7.h

Ref.	Description
St	Set point
rd	Differential
rn	Dead band
rr	Reverse output differential
Sreg	Control probe
CMP	Compressor request
REV	Reverse output request in dead band
COMP2	Auxiliary compressor request (par. DOK or par. DOy)

Reverse control in dead band without auxiliary compressor

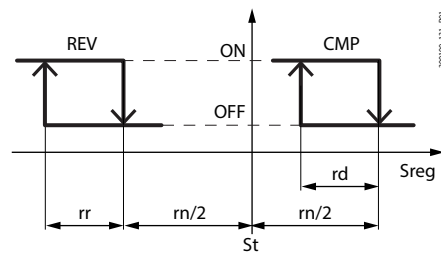


Fig. 7.i

Ref.	Description
St	Set point
rd	Differential
rn	Dead band
rr	Reverse output differential
Sreg	Control probe
CMP	Compressor request
REV	Reverse output request in dead band
COMP2	Auxiliary compressor request (par. DOK or par. DOy)

Reverse control in dead band with auxiliary compressor

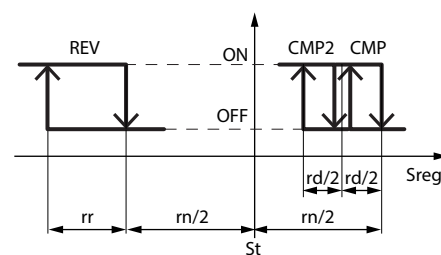


Fig. 7.j

Ref.	Description
St	Set point
rd	Differential
rn	Dead band
rr	Reverse output differential
Sreg	Control probe
CMP	Compressor request
REV	Reverse output request in dead band
COMP2	Auxiliary compressor request (par. DOK or par. DOy)

7.7 Night-time operation

During night-time operation there may be a decrease in thermal load. To avoid excessively low temperatures and high energy consumption, the set point needs to be increased at night by setting parameter r4. Parameter r6a can then be used to select the virtual probe Sv or air on probe Sr as the control probe.

	Daytime operation		Night-time operation	
			r6a = 0	r6a = 1
Control probe	Sv		Sv	Sr
Set point	St		St + r4	St + r4

Tab. 7.h

Night-time operation can be activated by a digital input configured as a curtain switch, on the user interface, from the supervisor or time bands, with different priorities. If the digital input has been selected, this has the highest priority and the other actions are ignored, while if the digital input has not been selected, the other actions have the same priority and the last one controls the action.

To set the time bands, see "Setting the date/time and time bands".

Par.	Description	Def	Min	Max	UOM	User	User terminal
DIG	Assign curtain switch digital input - see DIA	...	0	4	-	S	NO
H8	Output switched with time bands: 0 = Light; 1 = AUX.	0	0	1	-	S	NO
r4	Automatic night set point variation	0	-50/-90	50/90	°C/°F	S	NO
r6	Control probe for night-time operation: 0 = virtual probe Sv; 1 = intake temperature probe Sr	0	0	1	-	S	NO
tS1..8-d	Start time band 1 to 8 day: day - see (td1...8-d)	0	0	11	day	U	NO
tS1..8-hh	Start time band 1 to 8 day: hours	0	0	23	hours	U	NO
tS1..8-mm	Start time band 1 to 8 day: minutes	0	0	59	minutes	U	NO
td1..8-time	Start time band 1 to 8: type of time data for Applica	00:00:00	00:00:00	23:59:59	-	U	NO
tE1..8-d	End time band 1 to 8 day: day - see (td1...8-d)	0	0	11	day	U	NO
tE1..8-hh	End time band 1 to 8 day: hours	0	0	23	hours	U	NO
tE1..8-mm	End time band 1 to 8 day: minutes	0	0	59	minutes	U	NO

Notice for HACCP: verify that modification of the night-time set point (parameter /4) is permitted by site HACCP procedures. If required, obtain the required authorisation and record the changes.

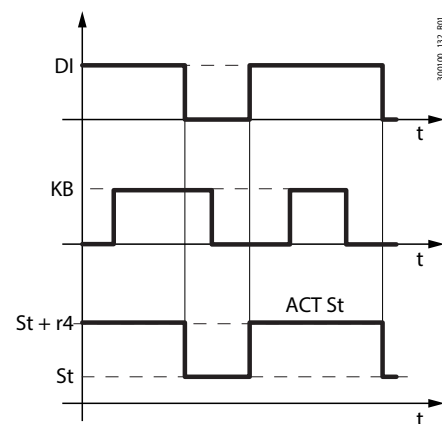


Fig. 7.k

Ref.	Description
St	Set point
r4	Night set point variation
DI	Control from digital input
ACT St	Effective set point
t	time

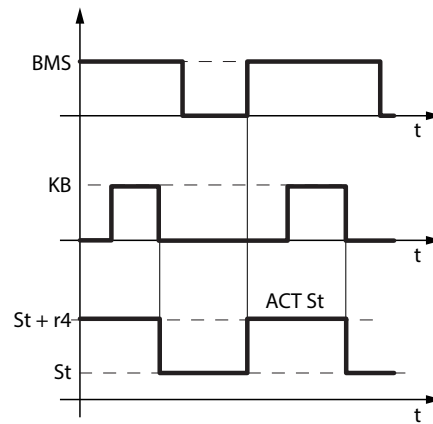


Fig. 7.l

Ref.	Description
St	Set point
r4	Night set point variation
BMS	Control from supervisor
KB	Control from keypad
t	time

By setting the time bands and setting the light as the switched output (H8 = 0), the set point follows the day/night settings of the time bands:



Fig. 7.m

During day status:

- Set point = St
- control probe Sv
- light or AUX output on, depending on parameter H8

During night status:

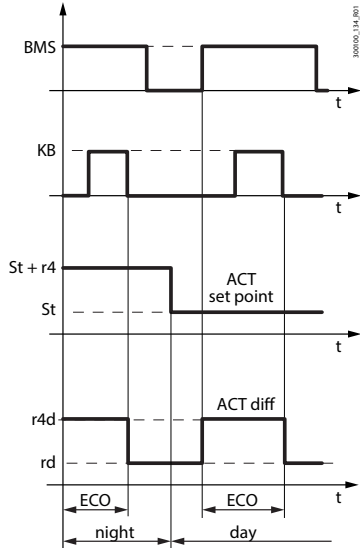
- Set point = St + r4
- Control probe Sv or Sr, depending on the value of r6a
- light or AUX output off, depending on parameter H8

7.8 ECO operation

During ECO operation, the iJW uses the same control set point $St+r4$, but with a different differential. This reduces the number of compressor starts/stops and reduces energy consumption. ECO operation can be activated on the user interface or from the supervisor, with the same priority.

Notice: the time bands for ECO operation and night operation are the same; the action depends on the setting of parameters $r4$ and $r4d$.

Par.	Description	Def	Min	Max	UOM	User	User terminal
rd	Temperature control differential	2 /3.6	0.1/0.2	99.9/ 179.2	Δ °C/°F	S	YES
$r4d$	Temperature control differential in ECO mode	4/7.2	0.1/0.2	99.9/ 179.2	Δ °C/°F	S	NO



Ref.	Description
$r4d$	Differential in ECO operation
$r4$	Night set point variation
KB	Control from keypad
BMS	Control from supervisor
ACT Diff	Effective differential
ECO	ECO operation
night	Night-time operation
t	Time

Fig. 7.n

Notice: if the door switch digital input is configured, opening the door causes the changeover from ECO operation to normal operation.

7.9 Continuous cycle

Continuous cycle is a function used to keep the refrigeration cycle active continuously for a settable duration (parameter cc), irrespective of the temperature inside the unit. This may be useful when requiring a rapid decrease in the temperature, even below the set point. Continuous cycle ends when the time set for cc is reached or when the temperature falls below the set point by the value set for parameter ccE .

Caution: the unit of measure of parameter cc is hours.

Par.	Description	Def	Min	Max	UOM	User	User terminal
$c7$	Defrost priority over continuous cycle: 0 = same priority; 1 = defrost has priority.	0	0	1	-	S	NO
cc	Running time in continuous cycle, 0 = disabled	0	0	15	h	S	NO
ccE	Set point delta to end continuous cycle	1.5 /2.7	0.0	9.9/17.8	Δ °C/°F	S	NO

Continuous cycle can be activated by digital input, from the supervisor, on reaching the high temperature threshold AH or from the user interface. When the continuous cycle is running:

- the solenoid valve/compressor output (with icon) is activated;
- the low temperature alarm with threshold AL is enabled.

Notice:

1. the continuous cycle cannot be activated if:
 - the duration of the continuous cycle is set to 0 ($cc = 0$);
 - the temperature is below the control set point
 - the device is OFF.
2. The continuous cycle remains in standby if:
 - the compressor is waiting for the times to elapse ($c1$, $c3$);
 - the immediate or delayed alarm from external digital input is active;
 - defrost, dripping, post-dripping are running;
 - the door is open. When the door is opened, the continuous cycle is interrupted. It restarts for the remaining time when the door is closed.

3. The continuous cycle ends:
 - when deactivating the direct function from the user terminal (see “Direct functions”);
 - when reaching the low temperature threshold (AL or AL2 with double thermostat), whichever is reached first;
 - at the end of the time cc;
 - when the controller is switched off from the supervisor (logical OFF);
 - from the supervisor.

The continuous cycle ends:

- on deactivation by digital input, from the supervisor or user interface;
- on reaching the time cc;
- on reaching the threshold St-ccE;
- when there is a defrost request (if c7 = 1);
- when the iJW controller is switched to OFF status.

Defrost priority over continuous cycle

Par.	Description	Def	Min	Max	UOM	User	User terminal
c7	Defrost priority over continuous cycle: 0 = same priority; 1 = defrost has priority.	0	0	1	-	S	NO

If c7 = 0, the continuous cycle has priority over defrosting; any defrost requests remain on hold while the continuous cycle is running. If c7 = 1, defrost requests that are activated when the continuous cycle is running terminate the latter and the defrost starts.

7.10 Custom set points

On the iJW controller the temperature and humidity set points can be selected from sets of preset values. This is done using the Applica app or the Applica Desktop configuration software, by setting parameter St_idx. The preset set point values can be changed by setting parameters Sc1, Sc2, Sc3, Sh1, Sh2, Sh3 in the Applica app or Applica Desktop configuration software.

Par.	Description	Def	Min	Max	UOM	User	User terminal
Sc1	Custom temperature set point 1	0	r1	r2	°C/°F	S	NO
Sc2	Custom temperature set point 2	0	r1	r2	°C/°F	S	NO
Sc3	Custom temperature set point 3	0	r1	r2	°C/°F	S	NO
St_idx	Custom set point index	0	0	3	-	S	NO
Sh1	Custom humidity set point 1	0	0	100	%RH	S	NO
Sh2	Custom humidity set point 2	0	0	100	%RH	S	NO
Sh3	Custom humidity set point 3	0	0	100	%RH	S	NO

7.11 Compressor

The iJW controller can manage On/Off compressors, after appropriately configuring the outputs and corresponding parameters. The control request is sent to the main compressor and the auxiliary compressor, as described in “Control”.

7.11.1 Compressor protection times

The controller features the following compressor protection parameters.

Par.	Description	Def	Min	Max	UOM	User	User terminal
c0	Delay to enable solenoid/compressor and evaporation fans at power-on	0	0	240	min	S	NO
c1	Min time between consecutive compressor starts	0	0	15	min	S	NO
c2	Min compressor OFF time	0	0	15	min	S	NO
c3	Min compressor ON time	0	0	15	min	S	NO
d9	Defrost priority over compressor protection times: 0 = compressor (the protection times are observed); 1 = defrost (the protection times are ignored, therefore defrosting has higher priority and overrides the compressor times).	10	0	1	-	S	NO

- c0 is used to delay the start of control when the device is powered on. This function is useful for protecting the compressor and the driving relay from repeated on cycles in the event of frequent voltage drops.
- c1 sets the minimum time between two successive starts of the compressor, irrespective of the request. This parameter can be used to limit the maximum number of starts per hour;
- c2 sets the minimum compressor off time. The compressor will not be started again until the minimum time set has elapsed;
- c3 sets the minimum compressor running time. The compressor will not be started again until the minimum time set has elapsed;
- d9 disables the compressor protection times when defrosting:
 - d9 = 0: the compressor protection times are observed;
 - d9 = 1: the compressor protection times are ignored, therefore defrosting has higher priority over the compressor protection times.

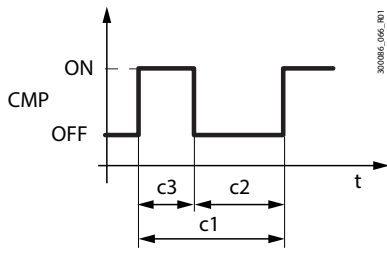


Fig. 7.o

Ref.	Description
CMP	Compressor
t	time

Notice: in the event of duty setting operation (see the corresponding paragraph), if the on time c_4 is less than c_3 , the compressor remains on for the time c_3 .

7.11.2 Pump down

When the compressor stops, the pump down procedure can be performed to empty the evaporator. The pump down procedure can end by pressure or by time, as set by parameter c_{10} .

Par.	Description	Def.	Min	Max	UOM	User	User terminal
c_{Pt}	Maximum pump down time (0 = pump down disabled)	s	0	900	0	S	NO
c_8	Compressor start delay after opening the pump down valve	s	0	60	5	S	NO
c_9	Restart during pump down: 0 = disabled; 1 = enabled.	-	0	1	1	S	NO
c_{10}	Pump down by pressure or time: 0 = pressure; 1 = time.	0	1	1	-	S	NO
Dlt	Assign low pressure switch digital input: 0 = disabled; 1 = ID1; 2 = ID2; 3 = D1H; 4 = D2H	-	0	4	0	S	NO
DOn	Assign liquid valve digital output: 0 = disabled; 1 = NO1; 2 = NO2; 3 = NO3; 4 = NO4; 5 = NO5; 6 = NO6	-	0	6	0	S	NO

The pump down procedure can be activated if the liquid valve digital output is configured and parameter $c_{Pt} > 0$. When there is a request to stop the compressor, the liquid valve is closed until the low pressure switch is activated or the time c_{Pt} elapses, based on the setting of parameter c_{10} .

If pump down is set to end by pressure and the pressure switch is not activated before the time c_{Pt} , the procedure is terminated when the time expires, and the Pump down ended after maximum time alarm Pd is generated.

The Pd alarm is reset when the unit is switched off, if the low pressure switch is activated after the compressor has stopped, or when the control temperature rises above the threshold $St+rd$.

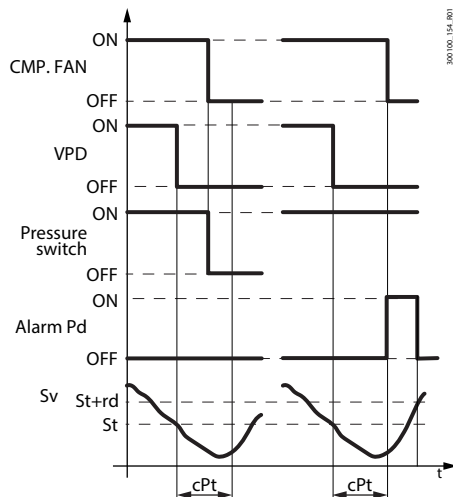
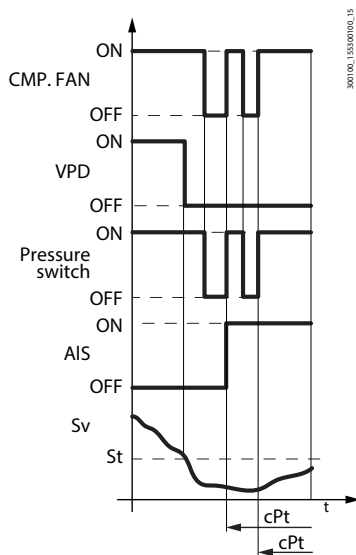


Fig. 7.p

Ref.	Description
St	Set point
rd	Control differential
Sv	Control threshold
PRESSURE SWITCH	Low pressure switch
CMP, FAN	Compressor request
VPD	Liquid valve output
ALARM Pd	Pump down ended after maximum time alarm
c_{Pt}	Pump down time

If during pump down the status of the low pressure switch changes again and restart during pump down is enabled by setting parameter $c_9 = 1$, the procedure ends, the compressor restarts and a Restart in pump down alarm Ats is generated. Alarm Ats is reset when a pump down procedure is completed correctly.


Fig. 7.q

When the compressor starts, the liquid valve is opened for the time set by parameter c8, to allow the pressure to equalise. If c8 = 0 pump down at start-up is disabled.

Ref.	Description
St	Set point
rd	Control differential
Sv	Control threshold
PRESSURE SWITCH	Low pressure switch
CMP, FAN	Compressor request
VPD	Liquid valve output
Ats	Restart in pump down alarm
cPt	Pump down time

7.12 Defrost

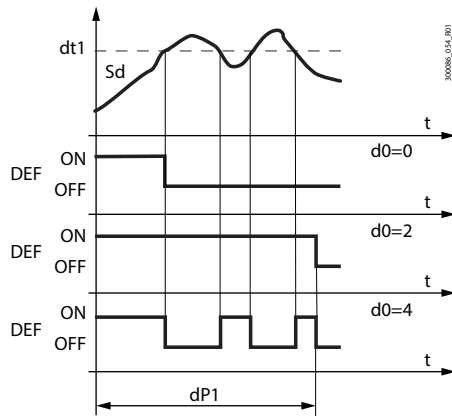
Introduction

The iJW controller can manage different types of defrosts, based on the setting of parameter d0. The defrost can end by temperature, in which case the defrost probe Sd must be installed, or by time. At the end of the defrost the dripping phase may begin (if dd>0), during which the compressor and the fans are off, followed by the post-dripping phase (if Fd>0), during which control resumes and the fans work based on the setting of parameter Fpd. The type of display on the user terminal during defrosting can be selected by setting parameter d6.

Code	Description	Def	Min	Max	UOM	User	User terminal
Dlc	Assign enable defrost digital input - see DIA	...	0	4	-	S	NO
Dld	Assign start defrost digital input - see DIA	...	0	4	-	S	NO
/d1	Assign end defrost probe:	2	1	16	-	S	YES
	1 outlet temperature (Sm)			9 ambient temperature			
	2 defrost temperature (Sd)			10 not used			
	3 intake temperature (Sr)			11 glass temperature			
	4 not used			12 not used			
	5 not used			13 condensing temperature			
	6 auxiliary evaporator defrost temperature (Sd2)			14 humidity			
	7 auxiliary probe 1			15 frost protection temperature			
	8 auxiliary probe 2			16 product temperature			
/d2	Assign auxiliary evaporator end defrost probe - see /d1	6	1	16	-	S	YES
d0	Type of defrost	0	0	4	-	S	NO
	0 heater by temperature			3 hot gas by time			
	1 hot gas by temperature			4 heater by time with temperature control			
	2 heater by time						
dt1	End defrost temperature (read by Sd)	4/39.2	-50/-58	50/122	°C/°F	S	YES
dt2	Auxiliary evaporator end defrost temperature (read by Sd2)	4/39.2	-50/-58	50/122	°C/°F	S	YES
dP1	Maximum defrost duration	45	1	240	min	S	YES
dP2	Max auxiliary evaporator defrost duration	45	1	240	min	S	YES
d6	Display on terminals during defrost: 0 = temperature alternating with 'dEF'; 1 = freeze display; 2 = 'dEF'.	1	0	2	-	S	YES
dd	Dripping time after defrost (fans off) 0 = no dripping	2	0	15	min	S	NO
d7	Skip defrost: 0 = Disabled - 1 = Enabled	0	0	1	-	S	NO
d8	Bypass high temperature alarm time after defrost	1	1	240	hours	S	YES
d10	Compressor ON time for running time defrost 0 = function disabled	0	0	240	min	S	NO
d11	Defrost temperature threshold in running time mode	-50/-58	-50/-58	50/122	°C/°F	S	NO
d15	Start defrost delay	0	0	240	min	S	NO
dn	Nominal defrost duration for skip defrost	75	0	100	%	S	NO
F2	Evaporator fans with compressor off: 0 = see F0; 1 = always off with compressor off; 2 = on for anti-stratification; 3 = on for humidity control.	1	0	3	-	S	NO
F3	Evaporator fans during defrost: 0 = on - 1 = off	1	0	1	-	S	NO
Fd	Post-dripping time after defrost (fans off with control active)	2	0	15	min	S	NO

Code	Description	Def	Min	Max	UOM	User	User terminal
Fpd	Evaporator fans during post-dripping 0/1 = On/Off	1	0	1	-	S	NO
Fsh	Modulating evaporator fan speed in dehumidification	40	0	100	%	S	NO
A3	Defrost terminated after maximum time signal: 0 = Disabled 1 = Enabled	0	0	0	-	S	YES

Below is the trend of the defrost output based on the setting of parameter d0.



Ref.	Description
t	time
dt1	End defrost temperature
dP1	Maximum defrost duration
Sd	Defrost probe
DEF	Defrost
d0	Type of defrost

Fig. 7.r

The heater defrost by time with temperature control (d0=4) activates the defrost output only if the evaporator temperature (Sd) is less than the value of parameter dt1, and ends after the time defined by dP1. This function is useful for energy saving and to prevent excessive temperatures on the evaporator.

Parameters td1 to td8 can be used to set up to 8 defrost events based on the controller's clock (RTC), on models where featured.

To set parameters td1 to td8, use the supervisor, the Applica Desktop configuration software or the Applica app. See "Configuration tools".

Code	Description	Def.	Min	Max	UOM	User	User terminal
td1..8-d	Defrost 1 to 8 - day 0 event disabled 1 to 7 Monday to Sunday 8 Monday to Friday	0	0	11	-	U	NO
		9					Monday to Saturday
		10					Saturday & Sunday
		11					every day
td1..8-hh	Defrost 1 to 8 - hours	0	0	23	hours	U	NO
td1..8-mm	Defrost 1 to 8 - minutes	0	0	59	min	U	NO
td1..8-time	Defrost 1 to 8 - data type for Applica	00:00:00	00:00:00	23:59:59	-	U	NO

Input and output settings

Code	Description	Def.	Min	Max	UOM	User	User terminal
/Fb	Assign defrost temperature probe (Sd) - see /FA	0	0	7	-	S	NO
/cb	Defrost temperature probe (Sd) calibration	0	-20/ -36	20/ 36	Δ °C/°F	S	NO
/FF	Assign auxiliary evaporator defrost temperature probe (Sd2) - see /FA	0	0	7	-	S	NO
/cF	Auxiliary evaporator defrost temperature probe (Sd2) calibration	0	-20/ -36	20/ 36	Δ °C/°F	S	NO
DOG	Assign defrost digital output - see DOA	...	0	6	-	S	NO
rOG	Defrost digital output logic - see rOA	0	0	1	-	S	NO
DOH	Assign auxiliary evaporator defrost digital output - see DOA	...	0	6	-	S	NO
rOH	Auxiliary evaporator defrost digital output logic - see rOA	0	0	1	-	S	NO

Start defrost

The events that activate a defrost are shown in the table.

Event	Defrosting
Interval between defrosts expired	Dependent on enabling (di > 0)
Time band	Dependent on enabling (time bands set) and presence of the RTC
Compressor running time	Dependent on enabling (d10 > 0)
Start-up	Dependent on enabling (Sd < d11)
At each compressor start	Dependent on enabling (Sd < d11)
Digital input	Dependent on enabling (DId > 0)
Supervision	Always
Keypad/Direct function	Dependent on the presence of the button/enabling of the direct function
App/Commissioning tool	Always
Opening the door	Dependent on enabling (DcL > 0)

Tab. 7.i

Start defrost

The iJW controller can manage the following types of defrosts, based on the setting of parameter d0:

1. heater (placed near the evaporator) by temperature;
2. hot gas by temperature;
3. heater by time;
4. hot gas by time;
5. heater by time with temperature control.

The details of each type of defrost are illustrated in the following paragraphs.

If defrost by temperature is selected, it is performed only if the value read by the evaporation temperature probe Sd is lower than the defrost end value (dt1 and dt2) or has an error. This also applies when there are two evaporators.

For heater defrosts:

- first the time d15 elapses;
- the compressor stops (performing pump down, if enabled);
- the main and secondary evaporator defrost relays are activated to switch on the heaters.

During hot gas defrost:

- first the time d15 elapses;
- then the compressor stops;
- the time dHG/2 elapses;
- the main and secondary evaporator defrost relays are activated to open the hot gas valve;
- the time dHG/2 elapses;
- the compressor starts;



Notice: if parameter dHG has a value other than zero, pump down is not performed during hot gas defrost.



Notice: if the control temperature is lower than the low temperature alarm threshold (parameter AL or ALA), the compressor cannot start and therefore the hot gas defrost will not be performed. If the temperature falls below the alarm threshold during defrosting, the compressor will stop immediately.

End defrost

The defrost ends by temperature when the values set by parameters dt1 and dt2 are reached, or by time, when the values dP1 and dP2 are reached, based on the setting of parameter d0.

If defrost by temperature is selected, the defrost probe Sd needs to be installed; the defrost ends when the probe Sd measures a value greater than the setting of dt1 or by timeout after the maximum time dP1 has elapsed; in this case, based on the setting of parameter A3, Ed1 is displayed. If set to end by time, the defrost ends after the time dP1.

The heater defrost by time with temperature control (d0=4) activates the defrost output only if the evaporator temperature Sd is less than the value of parameter dt1, and ends after the time defined by dP1. This function is useful for energy saving and to avoid excessively heating the evaporator.

For units with two evaporators, the defrost ends when both evaporators have reached the end defrost condition. If one evaporator ends defrosting (by time or by temperature) before the other, the corresponding defrost relay is de-energised, while the compressor remains in the status required by the defrost.

For hot gas defrost, when the defrost ends:

- the compressor stops;
- the time dHG/2 elapses;
- the main and secondary evaporator defrost relays are deactivated to deactivate the hot gas valve.
- the time dHG/2 elapses;
- the compressor starts;

At the end of the defrost, the controller can activate the dripping phase (if dd>0), during which the compressor and the fans are off, followed by the post-dripping phase (if Fd>0), during which control resumes with the fans off. If the defrost ends prematurely (e.g. interrupted by keypad/BMS), the dripping and post-dripping phases are skipped.

The type of display on the user terminal during defrosting can be selected by setting parameter d6.



Notice: high temperature alarms can be disabled after defrosting by setting par. d8.

7.12.1 Heater defrost (d0 = 0, 2, 4): duty cycle

The duty cycle refers to the default values of parameters F2 and F3.

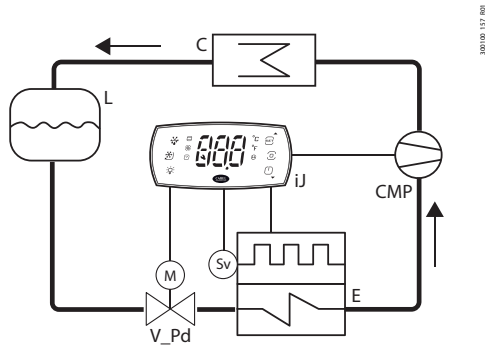


Fig. 7.s

Ref.	Description
t	Time
FAN	Fan
DEF	Defrost
DRIP	Dripping
CMP	Compressor
PDRIP	Post-dripping
REG	Control

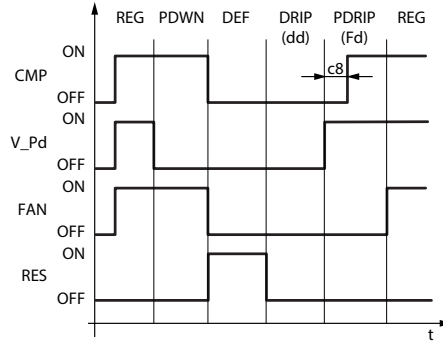


Fig. 7.t

Ref.	Description
RES	Defrost heater
V_Pd	Pump down valve
C	Condenser
E	Evaporator
L	Liquid receiver
PDWN	Pump down

7.12.2 Hot gas defrost (d0 = 1, 3): duty cycle

The duty cycle refers to the default values of parameters F2 and F3.

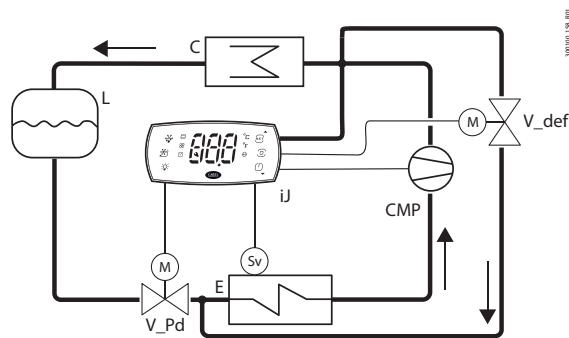


Fig. 7.u

Ref.	Description
t	Time
FAN	Fan
DEF	Defrost
DRIP	Dripping
CMP	Compressor
PDRIP	Post-dripping
PDWN	Pump down

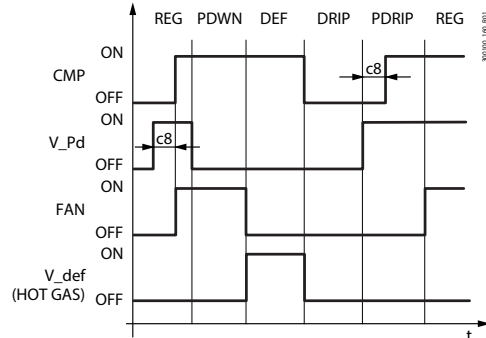


Fig. 7.v

Ref.	Description
REG	Control
HOT GAS	Hot gas valve
V_Pd	Pump down valve
C	Condenser
E	Evaporator
L	Liquid receiver

Notice: the defrost output (DEF) is used to control the hot gas valve V_def.

Pump down is the period in which the evaporator is emptied of liquid refrigerant, and can be disabled by setting cPt=0 (see "Pump down phase duration"). Operation of the fan during the pump down phase depends on parameters F2 and F3. During the dripping phase the fan is always off, while during the post-dripping phase operation depends on the setting of parameter Fpd.

Code	Description	Def	Min	Max	UOM	User	User terminal
dd	Dripping time after defrost (fans off) 0 = no dripping	2	0	15	min	S	NO
cPt	Pump down phase duration 0 = pump down disabled	0	0	900	s	S	NO
F2	Evaporator fans with compressor off: 0 = see F0; 1 = always off with compressor off; 2 = on for anti-stratification; 3 = on for humidity control	1	0	3	-	S	NO
F3	Evaporator fans during defrost: 0 = on - 1 = off	1	0	1	-	S	NO
Fd	Post-dripping time after defrosting (fans off with control active)	2	0	15	min	S	NO

7.12.3 Advanced defrosting features

Maximum interval between consecutive defrosts (par. dl)

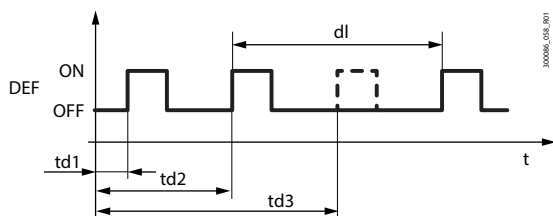
Code	Description	Def	Min	Max	UOM	User	User terminal
dl	Maximum interval between consecutive defrosts	8	0	240	hours	S	YES

Tab. 7.j

Parameter dl is a safety parameter used to perform cyclical defrosts every “dl” hours, event without the real time clock (RTC). At the start of each defrost, irrespective of the duration, an interval starts being counted. If this interval exceeds dl without a defrost being performed, one is started automatically. The count is always active even if the controller is OFF.

Example.

If the defrost programmed by time td3 is not carried out due to a fault in the RTC, a new defrost starts after the safety time dl.



Ref.	Description
dl	Maximum interval between consecutive defrosts
td1 - td3	Scheduled defrosts
t	time
DEF	Defrost

Fig. 7.w



Notice:

- if the interval dl expires when the controller is OFF, a defrost will be performed when it is switched ON;
- to ensure correct defrosting, the interval between defrosts must be greater than the maximum defrost duration, increased by the dripping and post-dripping times.

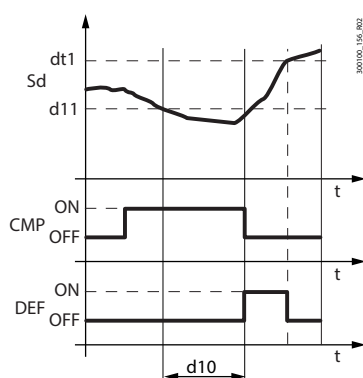


Notice: to avoid unwanted defrosts controlled by the timer, set parameter dl=0 (defrosts from keypad, RTC, compressor running time or digital input only).

Running time defrost (par. d10, d11)

Running time is a special function that determines when the refrigeration unit needs defrosting. Specifically, it is assumed that if the compressor remains on for a certain period (d10) and the evaporator temperature measured by probe Sd remains constantly below the threshold (d11), there is possibly ice on the evaporator and therefore defrosting is required. The time is reset if the temperature returns above the threshold.

Code	Description	Def	Min	Max	UOM	User	User terminal
dt1	End defrost temperature (read by Sd)	4/ 39.2	-50 /-58	50/122	°C/°F	S	YES
dt2	Auxiliary evaporator end defrost temperature (read by Sd2)	4/ 39.2	-50 /-58	50/122	°C/°F	S	YES
d10	Compressor ON time for running time defrost 0 = function disabled	0	0	240	min	S	NO
d11	Defrost temperature threshold in running time mode	-50 /-58	-50 /-58	50/122	°C/°F	S	NO



Ref.	Description
Sd	Defrost probe
t	time
DEF	Defrost
CMP	Compressor

Fig. 7.x

Defrost at each compressor start

With defrosts controlled by temperature, if the evaporator temperature is lower than d11 when there is a cooling request, preventive defrosting is required before starting the compressor. This avoids starting the compressor and then stopping immediately afterwards, thus reducing the number of compressor starts.



Notice: this condition is not verified the first time the compressor is started after switching the unit on.

Defrost after opening the door

Opening the door allows humid air into the showcase, which can condense and freeze on the evaporator. Consequently, the controller records the number of door openings that occur when the evaporation temperature is below zero. When the door

is opened a number of times equal to the setting of DoL, a defrost is activated. The controller checks the defrost duration and adjusts the number of door openings that must be reached before the next defrost.

Par.	Description	Def	Min	Max	UOM	User	User terminal
dCH	Defrost after opening the door: maximum number of openings	50	dCL	99	-	S	NO
dCL	Defrost after opening the door: minimum number of openings	0	0	dCH	-	S	NO
dPH	Defrost after opening the door: maximum defrost duration	15	dPL	dP1	min	S	NO
dPL	Defrost after opening the door: minimum defrost duration	5	0	dPH	min	S	NO

If the defrost duration:

- is less than dPL, the number of openings is increased by 10;
- is more than dPH, the number of openings is decreased by 5;
- is between dPL and dPH, the number of openings remains unchanged.

In any case, the number of door openings always remains between the minimum and maximum limits dCL and dCH.

Notice: the door opening counter is reset every time a defrost is performed.

Skip defrost (par. d7, dn)

If defrosts ending by temperature are set, the skip defrost function evaluates whether the defrost duration is less than a certain threshold dn1 (dn2) and based on this establishes whether or not the following defrosts can be skipped.

Code	Description	Def	Min	Max	UOM	User	User terminal
dP1	Maximum defrost duration	45	1	240	min	S	YES
dP2	Max auxiliary evaporator defrost duration	45	1	240	min	S	YES
d7	Skip defrost: 0 = Disabled - 1 = Enabled	0	0	1	-	S	NO
dn	Nominal defrost duration for skip defrost	75	0	100	%	S	NO

Thresholds dn1 (evaporator 1) and dn2 (evaporator 2) are calculated based on the parameter settings:

$$dn1 = \frac{dn}{100} \cdot dP1 \quad dn2 = \frac{dn}{100} \cdot dP2$$

The algorithm keeps a counter of the defrosts to be skipped:

- at power-on, the defrost is performed 7 times without increasing the counter, from the eighth on the counter is updated.
- if the defrost ends in a time less than dn1 (dn2), the counter of the defrosts to be skipped is increased by 1;
- when the counter has a value of 1, the next defrost is skipped; if the next defrost ends in a time less than dn1 (dn2), the counter is increased to 2 and the next 2 defrosts are skipped; if the next defrost also ends in a time less than dn1 (dn2), the counter is increased and the next 3 defrosts are skipped, the counter is reset and the algorithm restarts (see the table).

Defrost sequence	1	2	3	4	5	6	7	8	9	10	11	12	13	14	15	16	17	18	19	20	21	22
Defrost duration < dn1?	-	-	-	-	-	-	-	S	-	S	-	-	S	-	-	-	S	-	S	-	-	S
Counter	-	-	-	-	-	-	-	1	-	2	-	-	3	-	-	-	1	-	2	-	-	3
Defrost skipped?	N	N	N	N	N	N	N	N	S	N	S	S	N	S	S	S	N	S	N	S	S	N

Restart algorithm

Notice: if at any time the defrost ends after dn1 (dn2), the next defrost is performed and the counter is reset.

Notice: the algorithm only applies to defrosts scheduled by time bands or cyclical defrosts (par. DI); manual defrosts or those started by the supervisor are always performed and do not affect the counter.

Auxiliary evaporator defrost

Up to two defrost probes and up to two evaporator outputs can be configured, activating a heater on the main evaporator and another on the auxiliary evaporator. The controller recognises the basic configuration shown in the following table.

Defrost outputs	Evaporator probes	Start defrost
1	1	Normal
2	1	Defrosting managed on two outputs with reference to the same evaporator probe
1	2	Defrosting managed on the same output with reference to the two evaporator probes (minimum evaporation temperature)
2	2	Defrosting managed independently on the two evaporator circuits

Tab. 7.k

7.12.4 Other defrost parameters

End defrost signal by timeout (par. A3)

Code	Description	Def	Min	Max	UOM	User	User terminal
A3	End defrost signal by timeout: 0 = disabled; 1 = enabled	0	0	1	-	S	NO

Defrost at power on (par. d4)

Code	Description	Def	Min	Max	UOM	User	User terminal
d4	Enable defrost at power on: 0 = Disabled 1 = Enabled	0	0	1	-	S	NO

The defrost request at power on has priority over the control request and activation of the continuous cycle.

Defrost delay at power on (parameter d5)

Code	Description	Def	Min	Max	UOM	User	User terminal
d5	Defrost delay at start-up or after command from digital input	0	0	240	min	S	NO

Also active when d4=0. If the digital input is set to enable or start a defrost from an external contact, parameter d5 represents the delay between when the defrost is enabled or called, and when it effectively starts.

Dripping time after defrost (par. dd)

Code	Description	Def	Min	Max	UOM	User	User terminal
dd	Dripping time after defrost (0 = no dripping)	2	0	15	min	S	NO

This parameter is used to stop the compressor and the evaporator fans following a defrost so as to allow the evaporator to drip. The value of the parameter indicates the off time in minutes. If dd=0 no dripping time is enabled, and at the end of the defrost control resumes immediately, without stopping the compressor and the fan, if active.

Pump down phase duration (par. cPt)

Code	Description	Def	Min	Max	UOM	User	User terminal
cPt	Pump down phase duration 0 = pump down disabled	0	0	999	s	S	NO

The pump down phase is the period in which the evaporator is emptied of liquid refrigerant. Parameter cPt defines the duration of the pump down phase whenever control stops.

Defrost priority over compressor protection (par. d9)

Code	Description	Def	Min	Max	UOM	User	User terminal
d9	Defrost priority over compressor protection times: 0 = the compressor protection times are observed; d9 = 1: the compressor protection times are ignored, therefore defrosting starts without waiting for the compressor protection times to elapse	0	0	1	-	S	NO

Parameter d9 is used to set the priority of defrosts over the compressor times c1, c2, c3 when there is a defrost request.

Defrost priority over continuous cycle (par. c7)

Code	Description	Def	Min	Max	UOM	User	User terminal
c7	Defrost priority over continuous cycle: 0 = continuous cycle has priority; 1 = defrost has priority.	0	0	1	-	S	NO

Parameter c7 is used to set the priority of defrosts over the continuous cycle:

- if c7 = 0, the continuous cycle has priority over the defrost requests;
- if c7 = 1, if the continuous cycle is in progress and there is a defrost request, the continuous cycle ends and the defrost starts.

Defrost interval unit of measure (par. dC)

Code	Description	Def	Min	Max	UOM	User	User terminal
dC	Time base for defrosts 0: dl in hours, dP1 and dP2 in minutes; 1: dl in minutes, dP1 and dP2 in seconds	0	0	1	-	S	NO

Parameter dC is used to change the unit of measure (hours/minutes or minutes/seconds) used to count the times for parameters dl (defrost interval, hours or minutes), dP1 and dP2 (defrost duration) . This feature is particularly useful when configuring the defrosts.

7.13 Evaporator fans

To activate the algorithm, simply assign a relay output to the evaporator fan function. In addition, the defrost probe needs to be configured if this is required for control. See "Inputs and outputs".

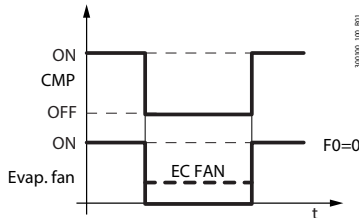
Par.	Description	Def	Min	Max	UOM	User	User terminal
DOI	Assign evaporator fan digital output - see DOA	...	0	6	-	S	NO
rOI	Evaporator fan digital output logic - see rOA	0	0	1	-	S	NO

The parameters used to manage the fans are shown below.

Par.	Description	Def	Min	Max	UOM	User	User terminal
F0	Evaporator fan management: 0 = always on; 1 = activation based on Sd - Sv; 2 = activation based on Sd; 3 = activation based on Sv.	0	0	3	-	S	NO
F1	Evaporator fan activation threshold (only if F0 = 1, 2, 3)	5/41	-50/-58	50/122	°C/°F	S	NO
F2	Evaporator fans with compressor off: 0 = see F0; 1 = always off with compressor off; 2 = on for anti-stratification; 3 = on for humidity control	1	0	3	-	S	NO
Frd	Evaporator fan activation differential (including variable speed)	2/3.6	0.1/0.2	20/36	°C/°F	S	YES

iJW manages the evaporator fans as follows:

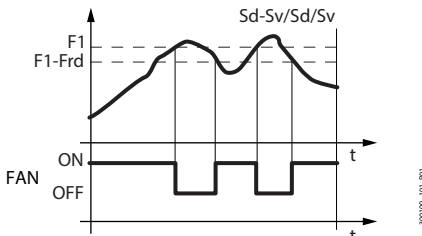
- F0 = 0 always on;
- F0 = 1 on/off based on difference between probes Sd and Sv;
- F0 = 2 on/off based on defrost probe Sd;
- F0 = 3 on/off based control probe Sv.



If parameter F0=0, the evaporator fans are on when the compressor is on (based on the setting of parameter F2), regardless of the defrost or control temperature.

Fig. 7.y

If parameter F0=1, 2 or 3, the evaporator fans are on/off based on the difference between the defrost and control probe temperatures, based on the defrost probe reading or the control probe reading. The fans switch on when the control variable falls below the threshold F1 value minus the control differential Frd, and switch off when the control variable rises above the threshold F1.



Ref.	Description
Sd	Defrost probe
Sv	Control probe
F1	Fan activation threshold
Frd	Differential
t	time
FAN	Evaporator fans

Fig. 7.z

The fans can be switched off in the following situations:

- when the compressor is off (parameter F2);
- during defrosts (parameter F3).

The evaporator fans can be forced on during control (parameter F2) and during defrosts (parameter F3).

Evaporator fans during defrost

When defrosting (parameter F3), the fans can be forced off. During the dripping time (parameter dd > 0) the fans are always off, while during the post-dripping time (parameter Fd > 0), the status of the fans can be defined by setting parameter Fpd. This is useful to allow the evaporator to return to temperature after defrosting, thus avoiding blowing warm hot and moist air into the refrigerated environment.

Par.	Description	Def	Min	Max	UOM	User	User terminal
dd	Dripping time after defrost (0 = no dripping)	2	0	15	min	S	NO
F3	Evaporator fans during defrost: 0 = on; 1 = off.	1	0	1	-	S	NO
Fd	Post-dripping time after defrosting (fans off with control active)	2	0	15	min	S	NO
Fpd	Evaporator fan during post-dripping: 0 = on; 1 = off.	1	0	1	-	S	NO

Anti-stratification

Set parameter F2 = 2 to prevent stratification of the air inside the showcase when the compressor is off. The fan performs a series of ON and OFF cycles with settable times that differ depending on the time (day or night). When the compressor is switched off, the fan remains ON.

Par.	Description	Def	Min	Max	UOM	User	User terminal
F2	Evaporator fans with compressor off: 0 = see F0; 1 = always off with compressor off; 2 = on for anti-stratification; 3 = on for humidity control.	1	0	3	-	S	NO
Fd0	Evaporator fan ON time for anti-stratification during the day	5	1	100	min	S	NO
FdF	Evaporator fan OFF time for anti-stratification during the day (0 = always On during the day)	10	0	100	min	S	NO
Fn0	Evaporator fan ON time for anti-stratification at night	5	1	100	min	S	NO
FnF	Evaporator fan OFF time for anti-stratification at night (0 = always On at night)	20	0	100	min	S	NO

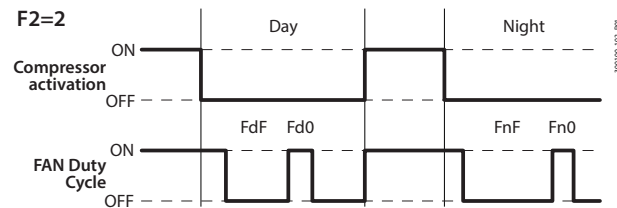
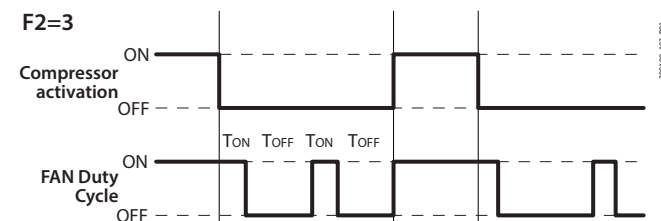


Fig. 7.aa

Humidity management with evaporator fan cycles

If F2 = 3, when the compressor is off, the fan is controlled based on the humidity level set by parameter HU, selected between three humidity levels: low, medium and high, which correspond to three different sets of fan on/off times and three different control temperature differentials for compressor activation.

Par.	Description	Def	Min	Max	UOM	User	User terminal
HU	Humidity level: 0: low; 1: medium; 2: high.	1	0	2	-	U	NO
F2	Evaporator fans with compressor off: 0 = see F0; 1 = always off with compressor off; 2 = on for anti-stratification; 3 = on for humidity control.	1	0	3	-	S	NO
F11	Fan ON time with low humidity level	60	0	600	Sec	S	NO
F12	Fan OFF time with low humidity level	120	0	600	Sec	S	NO
F13	Fan ON time with medium humidity level	120	0	600	Sec	S	NO
F14	Fan OFF time with medium humidity level	120	0	600	Sec	S	NO
F15	Fan ON time with high humidity level	180	0	600	Sec	S	NO
F16	Fan OFF time with medium humidity level	120	0	600	Sec	S	NO
F17	Temperature control differential for compressor activation with low humidity level	2.0/ 3.6	0.1/0.2	20/36	°C/°F	S	NO
F18	Temperature control differential for compressor activation with medium humidity level	2.0/ 3.6	0.1/0.2	20/36	°C/°F	S	NO
F19	Temperature control differential for compressor activation with high humidity level	2.0/ 3.6	0.1/0.2	20/36	°C/°F	S	NO



Ref.	Description
TON	F11/F13/F15
TOFF	F12/F14/F16

Fig. 7.ab

Advanced evaporator fan parameters

Due to the mechanical inertia of the motor, some EC fans cannot start at the minimum speed set by parameter F7. To solve this problem, the fans can start at the maximum speed set by parameter F6 for a "start-up time", defined by parameter F8, regardless of the defrost temperature Sd. Vice-versa, if the fan operates too long at low speed, ice may form on the blades; to avoid this, at intervals of every F10 minutes, the fan is switched on at maximum speed for the time set for parameter F8.

Code	Description	Def	Min	Max	UOM	User	User terminal
F6	Maximum evaporator fan speed	100	F7	100	%	S	NO
F7	Min evaporator fan speed	0	0	F6	%	S	NO
F8	Evaporator fan start-up time 0 = Function disabled	0	0	240	s	S	NO
F10	Evaporator fan forcing time at maximum speed 0 = Function disabled	0	0	240	min	S	NO

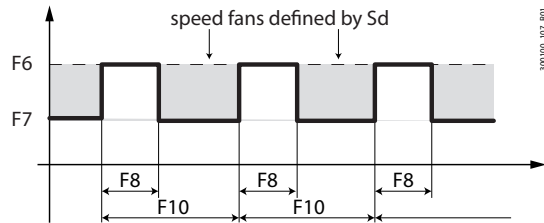


Fig. 7.ac

Variable-speed evaporator fans with humidity control

When the humidity control function is active, the fans will operate at maximum between the fixed speed set by parameter F7h and the speed calculated by the controller, for the entire duration of the process.

Par.	Description	Def	Min	Max	UOM	User	User terminal
F7h	Minimum evaporator fan speed during humidification	10	0	100	%	S	NO

If F2 = 3, when the compressor is off, the fan is controlled based on the humidity level set by parameter HU, selected between three humidity levels: low, medium and high, which correspond to three different fan speeds.

Par.	Description	Def	Min	Max	UOM	User	User terminal
F2	Evaporator fans with compressor off: 0 = see F0; 1 = always off with compressor off; 2 = on for anti-stratification; 3 = on for humidity control.	1	0	3	-	S	NO
F20	Modulating evaporator fan speed with low humidity level	10	0	100	%	S	NO
F21	Modulating evaporator fan speed with medium humidity level	10	0	100	%	S	NO
F22	Modulating evaporator fan speed with high humidity level	10	0	100	%	S	NO
HU	Humidity level: 0 = low; 1 = medium; 2 = high	1	0	2	-	U	NO

During the dehumidification phase, when the compressor is off, the fan operates at the speed set for FSh.

Par.	Description	Def	Min	Max	UOM	User	User terminal
FSh	Modulating evaporator fan speed in dehumidification	40	0	100	%	S	NO

7.14 Condenser fans

To activate the algorithm, simply assign a relay output to the condenser fan function. The condensing temperature probe also needs to be configured if required for control. See "Inputs and outputs".

Par.	Description	Def	Min	Max	UOM	User	User terminal
DOt	Assign condenser fan digital output - see DOA	...	0	6	-	S	NO
rOt	Condenser fan digital output logic - see rOA	0	0	1	-	S	NO

The parameters used to manage the fans are shown below.

Par.	Description	Def	Min	Max	UOM	User	User terminal
F00	Condenser fan management: 0 = always on with compressor on 1 = activation based on Sc, off with compressor off.	0	0	3	-	S	NO
F4	Condenser fan deactivation temperature	40/104	-50/-58	200/392	°C/°F	S	NO
F5d	Condenser fan activation differential	5/9	0.1/0.2	60/108	°C/°F	S	NO

iJW manages the condenser fans as follows:

- F00 = 0 on when the compressor is on;
- F00 = 1 on/off based on the condensing temperature probe Sc; off with the compressor off.

If parameter F00 = 0, the condenser fans are on when the compressor is on, regardless of the condensing temperature.

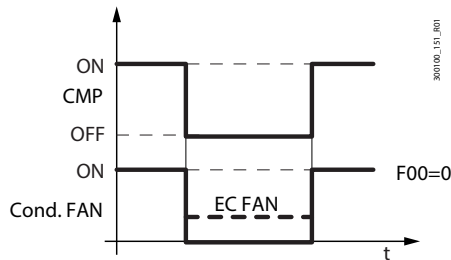


Fig. 7.ad

If parameter F00 = 1, the condenser fans are on/off based on the condensing temperature. When the compressor is first started, the condenser fan will start at $F4 + 0.2$ °C (3.6°F) degrees to compensate for rapid increases in temperature that the probe reading cannot react to. Subsequently, the fan switches on and off at $F4 + F5d$ and $F4$.

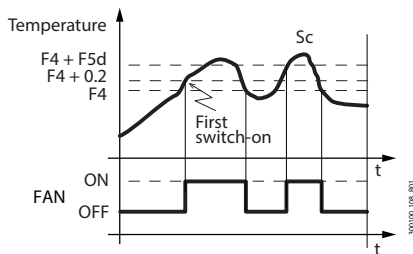


Fig. 7.ae

Ref.	Description
Sc	Condensing temperature probe
F4	Fan deactivation threshold
F5d	Differential
t	time
FAN	Condenser fans

7.15 Humidity management

iJW can manage humidity with or without a humidity probe.

If a probe is available, iJW can interact with external systems by managing the humidity level in combination with cooling control. iJW is compatible with the CAREL humiSonic, MC Multizone and humiDisk humidification systems.

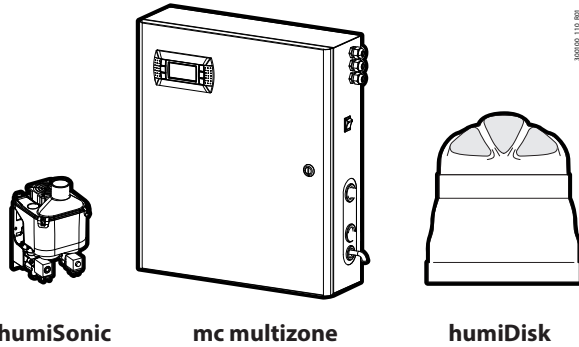


Fig. 7.af

7.15.1 Humidity control without probe

If no humidity probe is available, humidity control can be performed in three levels, through evaporator fan duty cycles and changing the control temperature differential. See "Humidity management with evaporator fan cycles".

7.15.2 Humidity control with probe

Notice: the humidity probe is only available on models with an option that includes the 0-5 V analogue input, see "Introduction".

Par.	Description	Def	Min	Max	UOM	User	User terminal
/FP	Assign humidity probe (fixed on S5)	5	5	5	-	S	NO
/cP	Humidity probe calibration	0	-20	20	% rH	S	NO

The probe reading can be shown on the display by setting parameter /t1 or can be read under item SHu in the direct functions menu. Furthermore, parameter /ta can be used to alternate the display of the temperature/humidity values.

7.15.3 Humidification output settings

To activate the humidifier, a relay needs to be assigned to the "humidifier" function.

Par.	Description	Def	Min	Max	UOM	User	User terminal
DOu	Assign humidification digital output - see DOA	...	0	6	-	S	NO
rOu	Humidification digital output logic - see rOA	0	0	1	-	S	NO

7.15.4 Dehumidification output settings

To activate an external dehumidifier, a relay needs to be assigned to the "external dehumidifier" function, and in this case its logic will be completely uncoupled from the compressor logic.

Par.	Description	Def	Min	Max	UOM	User	User terminal
DOz	Assign external dehumidifier digital output - see DOA	...	0	6	-	S	NO
rOz	External dehumidifier digital output logic - see rOA	0	0	1	-	S	NO

As well as by an external dehumidifier, dehumidification can also be controlled through simultaneous action of the compressor and a heater; in this case, a relay needs to be assigned to the "dehumidification heater" function. To activate dehumidification, simultaneous cooling (compressor) and heating (heater resistance) are required. The effect of cooling is to lower the air relative humidity, while the heater then offsets the excessive cooling, so as to maintain a virtually constant temperature during the process. The dehumidification heater is activated with a fixed differential of 1°C below the temperature control set point, as shown in the figure.

Par.	Description	Def	Min	Max	UOM	User	User terminal
DOj	Assign dehumidification heater digital output - see DOA	...	0	6	-	S	NO
rOj	Dehumidification digital output logic - see rOA	0	0	1	-	S	NO

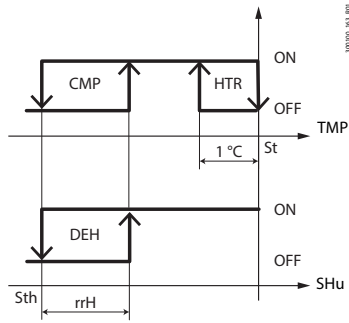


Fig. 7.ag

Ref.	Description
CMP	Compressor
HTR	Dehumidification heater
DEH	External dehumidifier
TMP	Temperature
SHu	Humidity
St	Temperature control set point
Sth	Humidity control set point
rrH	Dehumidification control differential

7.15.5 Humidity control

Humidification

The control logic for humidity control with probe is shown in the figure. When the humidity falls below the humidity set point Sth plus the humidity differential rdH, the humidification output is activated.

Par.	Description	Def	Min	Max	UOM	User	User terminal
Sth	Humidity control set point	90	0.0	100.0	% rH	U	YES
rdh	Humidity control differential	5	0.1	99.9	% rH	S	YES
F4r	Humidification output during defrosts: 0 = active based on humidity control; 1 = deactivated during defrosts	0	0	1	-	S	YES

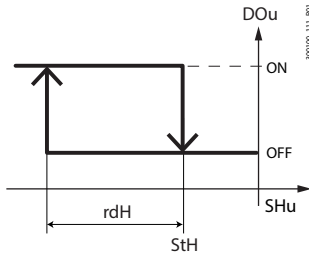


Fig. 7.ah

Ref.	Description
SHu	Humidity control probe
Sth	Humidity control set point
rdh	Humidity control differential
DOU	Humidification outlet



Notice: parameter F4r is used to decide whether or not to disable the humidification output during defrosts:

- F4r=0 -> humidification output active based on humidity control;
- F4r=1 -> humidification output disabled during defrosts, regardless of the request.



Notice: the humidification output is always deactivated in the event of an alarm that stops the compressor immediately.

Examples:

- Alarm CHt;
- Alarm IA (when A6 = 0).

Dehumidification

For humidity control with probe, the dehumidification function can also be managed. The control logic is shown in the figure. When the humidity rises above the humidity set point Sth plus the Dehumidification control differential rrH, the dehumidification output is activated.

Par.	Description	Def	Min	Max	UOM	User	User terminal
Sth	Humidity control set point	90	0.0	100.0	% rH	U	YES
rrH	Dehumidification differential	5	0.0	50.0	Δ % rH	S	YES

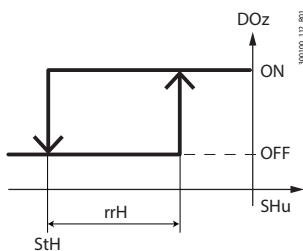


Fig. 7.ai

Ref.	Description
SHu	Humidity control probe
Sth	Humidity control set point
rrH	Dehumidification differential
DOz	Dehumidification output

Dead band

Humidity control in the dead band can be enabled by setting both the humidifier and dehumidifier outputs.

Par.	Description	Def	Min	Max	UOM	User	User terminal
Sth	Humidity control set point	90	0.0	100.0	% rH	U	YES
rdh	Humidity control differential	5	0.1	99.9	% rH	S	YES
rrH	Dehumidification differential	5	0	50.0	Δ % rH	S	NO
rnH	Dead band for humidity control	5	0	50.0	Δ % rH	S	NO

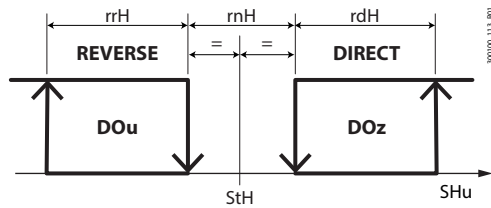


Fig. 7.aj

Ref.	Description
SHu	Humidity control probe
Sth	Humidity control set point
rdh	Humidity control differential
rrH	Control differential for dehumidification
rnH	Humidity dead band
DOu	Humidification outlet
DOz	Dehumidification output

Notice: parameter F4r is used to decide whether or not to disable the humidification output during defrosts:

- F4r=0 -> humidification output active based on humidity control;
- F4r=1 -> humidification output disabled during defrosts, regardless of the request.

7.15.6 Simultaneous humidity and temperature control

With simultaneous humidity and temperature control, humidity control is generally independent of temperature control. Humidity control can be restricted to within a well-defined temperature range (parameters TLL and THL and the corresponding differential TdL), so as not to risk excessive temperature drift during humidity control.

Par.	Description	Def	Min	Max	UOM	User	User terminal
TLL	Minimum temperature to enable humidity control	0	-60/-76	60/140	°C/°F	S	NO
THL	Maximum temperature to enable humidity control	0	-60/-76	60/140	°C/°F	S	NO
TdL	Differential to enable humidity control	0	0	20/36	°C/°F	U	NO

Notice: if parameters TLL and/or THL are set to 0, they are ignored for control purposes

Case 1: Humidity control independent of temperature (default)

The temperature is only controlled after the humidity reaches the set point. This is the default setting, with TLL and THL = 0

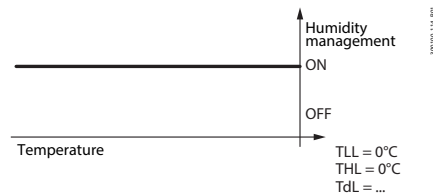


Fig. 7.ak

Case 2: Humidity control within a set range

Priority is given to temperature control: humidity is controlled in a series of cycles, while always keeping the temperature in the range TLL-THL.

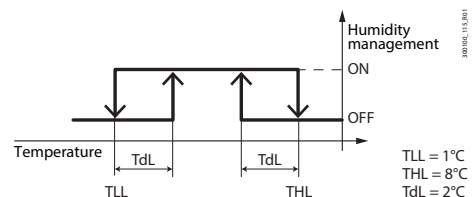


Fig. 7.al

Case 3: Humidity control with high temperature limit

This configuration prevents the temperature from exceeding the limit (THL) during dehumidification, for example if the heater is oversized.

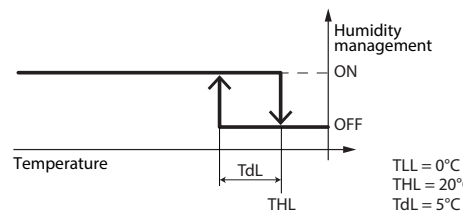


Fig. 7.am

Case 4: Humidity control with low temperature limit

This configuration allows humidification to be stopped below the threshold TLL threshold to avoid excessive cooling and lowering the temperature, for example if the heater is undersized.

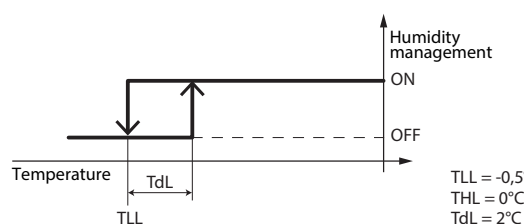


Fig. 7.an

7.15.7 Humidity probe error

In the event of a humidity probe error, humidification and dehumidification are managed in duty cycles. This is only possible for humidification alone and dehumidification alone; with dead band control, both outputs remain off.

Par.	Description	Def	Min	Max	UOM	User	User terminal
uof	OFF time for humidity duty setting operation	60	c2	120	min	S	NO
uon	ON time for humidity duty setting operation	10	c3	120	min	S	NO

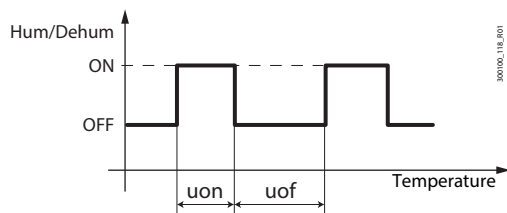


Fig. 7.a0

Ref	Description
Hum	Humidification outlet
Dehum	Dehumidification output

7.16 Light management

The light can be controlled by several sources: button, supervisor, door switch, curtain switch and time band.

The light is switched on or off based on an event:

Light	Action
Button	Pressing the button
Supervisor	Variation of the value from the supervisor (parameter Lht)
Door switch	Contact transition (opening/closing)
Curtain switch	Contact transition (opening/closing)
Time band	based on the on/off day, hours, minutes

Tab. 7.l

When the digital inputs are stable (door switch or curtain switch), the light can be switched on and off from the keypad or supervisor.

Par.	Description	Def	Min	Max	UOM	User	User terminal
DOE	Assign light digital output - see DOA	...	0	6	-	S	NO
rOE	Light digital output logic - see rOA	0	0	1	-	S	NO

7.17 Door management

iJW can manage the opening of the door with or without stopping temperature control, based on the setting of the door switch.

Par.	Description	Def	Min	Max	UOM	User	User terminal
DIE	Assign door switch with compressor OFF digital input - see DIA	...	0	4	-	S	NO
DIP	Assign door switch without compressor OFF digital input - see DIA	...	0	4	-	S	NO
rIE	Door switch with compressor OFF digital input logic - see rIA	0	0	1	-	S	NO
rIP	Door switch without compressor OFF digital input logic - see rIA	0	0	1	-	S	NO

If the digital input is configured as a door switch with compressor off (parameter DIE), when the door is opened both the compressor and the evaporator fans are stopped; on the other hand, if configured as a door switch without compressor off (parameter DIP), when the door is opened only the evaporator fans are stopped.

Par.	Description	Def	Min	Max	UOM	User	User terminal
H14	Time light stays on after closing the door	0	0	240	min	U	NO
Ad	Delay time for high and low temperature alarms (AH, AL)	120	0	240	min	U	YES
Add	High temperature alarm bypass time for door open	5	1	240	min	U	YES

When the door is open, the high temperature alarm is ignored for the time set using parameter Add, to avoid false alarms, and the service icon flashes to signal a warning condition. When time Add has elapsed, the following occur:

- the open door alarm (dor) is signalled;
- compressor and evaporator fan control resumes;
- the light stays on;
- after the delay time set by parameter Ad, the high temperature alarm is activated.

When closing the door:

- control resumes, restarting the compressor and evaporator fans if required;
- the light switches off after the time set by parameter H14 and the high temperature alarm is activated after the delay Ad.

When control resumes, the compressor safety times c1 and c2 are observed.

7.18 Door - light interactions

In the absence of time bands, opening the door always activates normal operating mode, which lasts until a different mode is selected via keypad or BMS. The light switches on when the door is opened and switches off when it closes, with a delay equal to H14, if set.

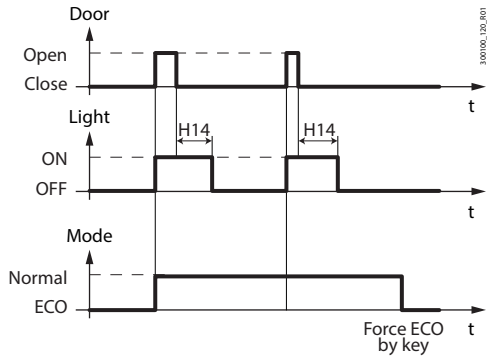


Fig. 7.ap

If time bands are set to define eco/normal mode, the light will follow these rules by switching on in normal mode and off in eco mode. Opening the door will switch back to normal mode and switch on the light.

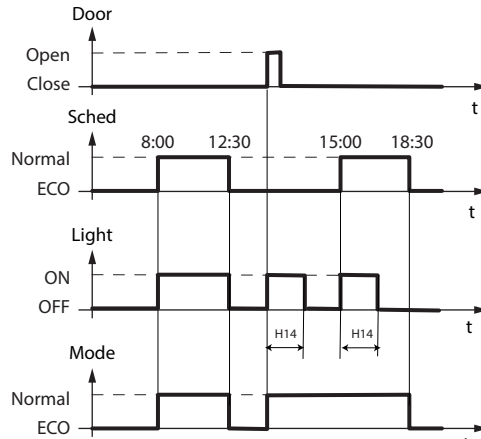


Fig. 7.aq

Par.	Description	Def	Min	Max	UOM	User	User terminal
H8	Output switched with time bands: 0 = Light; 1 = AUX	0	0	1	-	S	NO

The time bands can be associated with the AUX output rather than the light, by setting parameter H8. In this case, the light will reflect the position of the door, switching on and off respectively when the door is opened and closed.

7.19 Curtain management

Par.	Description	Def	Min	Max	UOM	User	User terminal
DIG	Assign curtain switch digital input - see DIA	...	0	4	-	S	NO
rIG	Curtain switch digital input logic - see rIA	0	0	1	-	S	NO

If the digital input is associated with the curtain switch, when the curtain is closed the IJx controller activates eco mode and the set point is modified by adding the value of parameter r4. When the curtain is open, the light is always switched on.

Notice: in eco mode, the value $St+r4$ is used for all of the functions that involve the set point (e.g. relative high and low temperature alarms, control with dead band, two-stage compressor control, etc.).

7.20 Generic functions

iJW can exploit unused inputs and outputs to configure a "generic function". Each generic function can be enabled/disabled in the Applica app or Applica Desktop configuration software.

Caution: the generic functions available vary according to the model of controller.

The following can be activated (maximum configuration):

- 1 generic function with On/Off output;
- 1 generic alarm function (signal only).

The generic function can be controlled based on one of the following:

- 1 specific probe;
- difference between 2 suitably configured probes.

Caution: the controller cannot verify the consistency of the settings, if two analogue functions are mistakenly assigned to the same analogue inputs or the same digital output.

7.20.1 Enabling

The generic function can be enabled always, or when the unit is in a certain status.

Par.	Description	Def	Min	Max	UOM	User	User terminal
GFA_E	Generic alarm function: enable	0	0	10	-	S	NO
	0 Always	6					Duty setting
	1 Unit ON	7					Standby
	2 Unit OFF	8					Compressor or reverse output active
	3 Defrost	9					Door open
	4 Not used	10					Alarm active
	5 Continuous cycle						
GFS_E	Generic On/Off function, enable - see GFA_E	0	0	10	-	S	NO

Assign control probe

Select the control probes for the generic function.

Par.	Description	Def	Min	Max	UOM	User	User terminal
GFA_1	Generic alarm function, control probe 1	0	0	20	-	S	NO
	0 Not configured	11					Glass temperature
	1 Outlet temperature (Sm)	12					Not used
	2 Defrost temperature (Sd)	13					Condensing temperature
	3 Intake temperature (Sr)	14					Humidity
	4 Not used	15					Frost protection temperature
	5 Not used	16					Product temperature
	6 auxiliary evaporator defrost temperature (Sd2)	17					Not used
	7 Auxiliary probe 1	18					Power present
	8 Auxiliary probe 2	19					Evaporator fan request
	9 Room temperature	20					Control probe
	10 Not used						
GFA_2	Generic alarm function, control probe 2 - see GFA_1	0	0	20	-	S	NO
GFA_1	Generic On/Off function: control probe 1 - see GFA_1	0	0	20	-	S	NO
GFS_2	Generic On/Off function: control probe 2 - see GFA_1	0	0	20	-	S	NO

7.20.2 On/Off output

Assign the digital output for the generic function, the type (direct/reverse) and the activation logic (see parameter rOA).

Par.	Description	Def	Min	Max	UOM	User	User terminal
DOS	Assign generic On/Off function digital output - see DOA	...	0	6	-	S	NO
rOS	Generic On/Off function digital output logic - see rOA	0	0	1	-	S	NO
GFS_D	Generic On/Off function, differential	0	0	99.9	-	S	NO
GFS_S	Generic On/Off function: set point	0	-99	999	-	S	NO
GFS_T	Generic On/Off function: type 0 = Direct, 1 = Reverse	0	0	1	-	S	NO

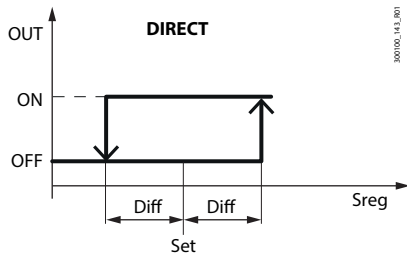


Fig. 7.ar

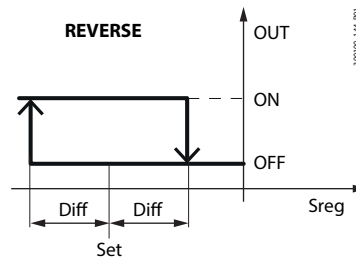


Fig. 7.as

Ref.	Description
Set	Set point (GFS_S)
Diff	Differential (GFS_D)
Sreg	Control probe 1 or Control probe1 - Control probe 2
OUT	Digital output

7.20.3 Alarm signal

The alarm can be signalled for two reasons:

- switching of the digital input, assigned by parameter DIS: the display shows "GHI"
- if the difference between the values of the control probes exceeds the high or low threshold for a time longer than GFA_De: the display shows GHI or GLO respectively.

Notice: check that the alarm is generated by only one of the two causes.

Par.	Description	Def	Min	Max	UOM	User	User terminal
GFA_D	Generic alarm function: differential	0	0	99.9	-	S	NO
GFA_De	Generic alarm function: delay	0	0	30000	s	S	NO
GFA_Ht	Generic alarm function: high temperature threshold	0	GFA_Lth	999	-	S	NO
GFA_Lth	Generic alarm function: low temperature threshold	0	-99	GFA_Ht	-	S	NO

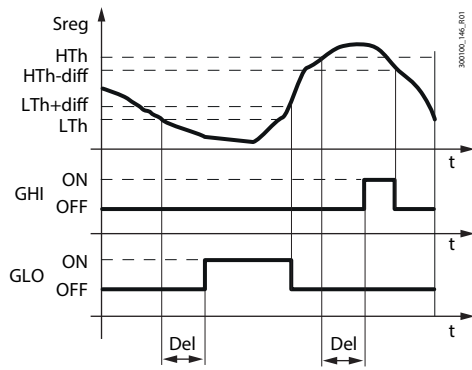


Fig. 7.at

Ref.	Description
Lth	Low temperature threshold (GFA_Lth)
HTh	High temperature threshold (GFA_Hth)
diff	Differential (GFA_D)
Del	Delay (GFA_De)
Sreg	Control probe 1 or Control probe 1 - Control probe 2
t	Time
GHI	High temperature alarm message
GLO	Low temperature alarm message

7.21 Anti-sweat heater or fan

The anti-sweat function on iJW has fixed activation (not based on a glass temperature probe reading) and can control a heater or fan, with the purpose of demisting the showcase glass using the activation and deactivation times set for parameters rHU and rHt.

Par.	Description	Def	Min	Max	UOM	User	User terminal
DOQ	Assign anti-sweat heater digital output - see DOA	...	0	6	-	S	NO
rOq	Anti-sweat heater digital output logic - see rOA	0	0	1	-	S	NO
rHt	Manual anti-sweat heater activation period (0 = function disabled)	5	0	180	min	S	NO
rHU	Manual anti-sweat heater activation percentage (of period 'rHt') (0 = function disabled)	70	0	100	%	S	NO

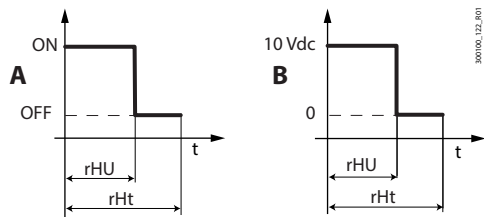


Fig. 7.au

Ref.	Description
A	Relay output
B	Modulating output (0-10V)
rHU	Anti-sweat heater/fan activation percentage
rHt	Anti-sweat heater/fan activation time
t	time

If either or both of the parameters rHu or rHt is set to zero, the function is disabled.

7.22 Gasket heater

The function activates gasket heating cycles to make it easier to open the door when the control temperature is very low.

Par.	Description	Def	Min	Max	UOM	User	User terminal
DOx	Assign gasket heater digital output - see DOA	...	0	6	-	S	NO
rOx	Gasket heater digital output logic - see rOA	0	0	1	-	S	NO
OfT	Gasket heater OFF time	3	0	250	min	S	NO
OnT	Gasket heater ON time	5	0	250	min	S	NO
Rdrh	Gasket heater control differential	2 / 3.6	0.1 / 0.2	20 / 36	Δ °C / °F	S	NO
Strh	Gasket heater control set point	-18 / -0.4	-50 / -58	200 / 392	°C / °F	S	NO

When the control temperature reaches the set point Strh, the output is enabled and will start being activated cyclically based on the times set for parameters OnT and OfT.

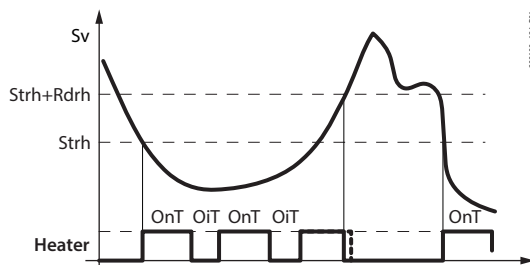


Fig. 7.av

The output is deactivated when the temperature rises above Strh+Rdrh.

7.23 Condensate drain heating

This function heats the condensate drained during defrosting to prevent the drain line from freezing.

Par.	Description	Def	Min	Max	UOM	User	User terminal
DOP	Assign drain heater digital output - see DOA	...	0	6	-	S	NO
rOP	Drain heater digital output logic - see rOA	0	0	1	-	S	NO
dHA	Condensate drain heater activation time before defrosting	3	0	120	min	S	NO
dHE	Condensate drain heater activation time after defrost	3	1	120	min	S	NO

If condensate drain heating is configured, the output is activated for the time set by parameter dHA before defrosting, and remains active for a time set by parameter dHE after defrosting.

7.24 Anti-heating

This function keeps the light and AUX outputs deactivated until the control temperature falls below St+Hdh when the following conditions occur:

- controller powered on;
- switching from Off to On;
- after resetting alarms HI, IA, dA, CHt, rE.

Par.	Description	Def	Min	Max	UOM	User	User terminal
Hdh	Delta for anti-heating function	0	0	200/360	Δ °C/°F	S	NO
St	Temperature control set point	50/122	r1	r2	°C/°F	U	YES

7.25 High and low voltage protection (HLVP)

Some iJW models feature protection against high and low power supply voltages, allowing the compressor to operate only at voltages within the operating limits. This function stops the compressor if the mains voltage is outside of a range specified by parameters uHo and uLo. The compressor is switched off after a delay that can be set by parameter ucd. The compressor starts again when the voltage returns within the limits set by parameters uHI and uLI.

Par.	Description	Def	Min	Max	UOM	User	User terminal
c1	Min time between consecutive compressor starts	0	0	15	min	S	NO
c2	Min compressor OFF time	0	0	15	min	S	NO
c3	Min compressor ON time	0	0	15	min	S	NO
ucd	Compressor stop delay after HLVP protection activated	5	0	60	s	S	NO
udE	Enable display of HLVP protection alarms (EHI and ELO, see alarm table)	0	0	1	-	S	NO
uHi	High voltage protection start threshold	245	0	350	V	S	NO
uHo	High voltage protection end threshold	255	0	350	V	S	NO
uEn	Enable HLVP protection: 0 = disabled; 1 = enabled	0	0	1	-	S	NO
uLi	Low voltage protection start threshold	205	0	350	V	S	NO
uLo	Low voltage protection end threshold	195	0	350	V	S	NO

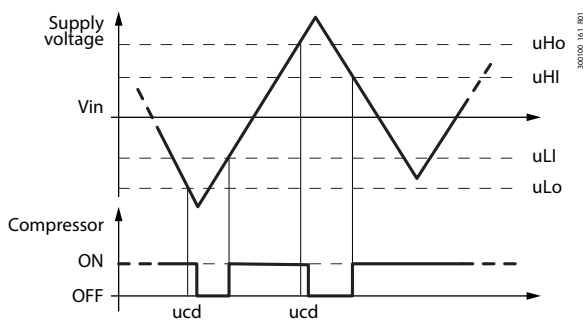


Fig. 7.aw

Notice: the compressor protection times c1 and c3 are ignored when the high or low voltage conditions occur, while c2 is always observed.

- Caution:**
- this function cannot be considered a compressor safety function;
 - operation of the controller outside of the rated operating voltage range described in the technical specifications is the customer's responsibility.

8. PARAMETER TABLE

Below is the table of the parameters that can be displayed on the terminal or can be modified using the Applica Desktop configuration software or Applica app. In the Applica app and in the Applica Desktop configuration software for iJW, the access level to the Service (S) parameters is preconfigured with default password 22.

Par.	Description	Def	Min	Max	UOM	User	User terminal
PDS	Service password	22	0	999	-	S	NO
PDU	User password	0	0	999	-	U	NO



Notice:

- the read-only parameters are not visible from the Applica app using NFC, as NFC memory cannot be overwritten frequently;
- to avoid any fraudulent activities, the default password values should be changed at the end of the commissioning procedure. For example, with the Applica app, parameters PDS and PDU can be used to set the new password, with a maximum length of 3 numbers.



Caution: the operation to reset the default values is not reversible, unless a user recipe has been previously saved for loading using the Applica Desktop configuration software/Applica app, see the paragraph on the configurations.

8.1 Parameter table

Code	Description	Def.	Min	Max	UOM	User	User term.
/2	Analogue probe measurement stability: 0 = probe reading not delayed; ... 9 = maximum probe reading delay.	5	0	9	-	S	NO
/3	Display probe value: 0 = disabled; 1 = fast update; ... 15 = slow update.	0	0	15	-	S	NO
/4	Virtual probe composition: 0 = Air off probe Sm; 100 = Air on probe Sr	0	0	100	%	S	NO
/5	Unit of measure: 0 = °C; 1 = °F.	0	0	1	-	U	YES
/6	Display decimal point: 0 = Yes; 1 = No.	0	0	1	-	S	YES
/cA	Outlet temperature probe (Sm) calibration	0	-20/ -36	20/ 36	Δ °C/°F	S	NO
/cb	Defrost temperature probe (Sd) calibration	0	-20/ -36	20/ 36	Δ °C/°F	S	NO
/cc	Intake temperature probe (Sr) calibration	0	-20/ -36	20/ 36	Δ °C/°F	S	NO
/cF	Auxiliary evaporator defrost temperature probe (Sd2) calibration	0	-20/ -36	20/ 36	Δ °C/°F	S	NO
/cG	Auxiliary temperature probe 1 calibration	0	-20/ -36	20/ 36	Δ °C/°F	S	NO
/cH	Auxiliary temperature probe 2 calibration	0	-20/ -36	20/ 36	Δ °C/°F	S	NO
/cl	Room temperature probe calibration	0	-20/ -36	20/ 36	Δ °C/°F	S	NO
/cM	Glass temperature probe calibration	0	-20/ -36	20/ 36	Δ °C/°F	S	NO
/co	Condensing temperature probe calibration	0	-20/ -36	20/ 36	Δ °C/°F	S	NO
/cp	Humidity probe calibration	0	-20	20	Δ %rh	S	NO
/cq	Frost protection temperature probe calibration	0	-20/ -36	20/ 36	Δ °C/°F	S	NO
/cr	Product temperature probe calibration	0	-20/ -36	20/ 36	Δ °C/°F	S	NO
/d1	Assign end defrost probe: 1 = outlet temperature (Sm); 2 = defrost temperature (Sd); 3 = intake temperature (Sr); 4 = not used; 5 = not used; 6 = auxiliary evaporator defrost temperature (Sd2); 7 = auxiliary probe 1; 8 = auxiliary probe 2; 9 = ambient temperature; 10 = not used; 11 = glass temperature; 12 = not used; 13 = condensing temperature; 14 = humidity; 15 = frost protection temperature; 16 = product temperature	2	1	16	-	S	NO
/d2	Assign auxiliary evaporator end defrost probe - see /d1	6	1	16	-	S	NO
/FA	Assign outlet temperature probe (Sm) 0 = Function disabled 1 = Probe S1 2 = Probe S2 3 = Probe S3 4 = Probe S4 5 = Reserved 6 = Not available 7 = Not available	(***)	0	7	-	S	NO
/Fb	Assign defrost temperature probe (Sd) - see /FA	(***)	0	7	-	S	NO
/Fc	Assign intake temperature probe (Sr) - see /FA	(***)	0	7	-	S	NO
/FF	Assign auxiliary evaporator defrost temperature probe (Sd2) - see /FA	(***)	0	7	-	S	NO
/FG	Assign auxiliary temperature probe 1 (Saux1) - see /FA	(***)	0	7	-	S	NO
/FH	Assign auxiliary temperature probe 2 (Saux1) - see /FA	(***)	0	7	-	S	NO
/FI	Assign ambient temperature probe (SA) - see /FA	(***)	0	7	-	S	NO
/FM	Assign glass temperature probe (Svt) - see /FA	(***)	0	7	-	S	NO
/Fo	Assign condensing temperature probe - see /FA	(***)	0	7	-	S	NO

Code	Description	Def.	Min	Max	UOM	User	User term.
/FP	Assign humidity probe (fixed on S5)	(***)	5	5	-	S	NO
/Fq	Assign frost protection temperature probe - see /FA	(***)	0	7	-	S	NO
/FR	Assign product temperature probe - see /FA	(***)	0	7	-	S	NO
/Lb	Status LEDs on in standby (including ON/OFF): 0 = off; 1 = on.	0	0	1	-	S	NO
/nE	Enable user terminal navigation: 0 = enabled; 1 = disabled; 2 = On/Off disabled; 3 = On/Off and access to set point disabled.	0	0	3	-	S	NO
/P1	Configuration of probes S1, S2, S3, S4, B5 0 = PT1000; 1 = PTC; 2 = NTC; 3 = NTC-LT; 4 = NTC-HT.	2	0	4	-	S	NO
/P2	Configuration of multifunction input S3/ DI1: 0, 1, 2, 3, 4 = S3; 5 = DI1.	5	0	5	-	S	NO
/Sb	PRG button always ON in standby: 0 = off; 1 = on.	1	0	1	-	S	NO
/ta	Alternating (temperature/humidity): 0 = disabled; 1 = enabled.	0	0	1	-	S	NO
/t1	Display on user terminal: 0 = Not configured 6 to 8 = not available 1 = value of S1 9 = control probe 2 = value of S2 10 = virtual probe 3 = value of S3 11 to 14 = not available 4 = value of S4 15 = actual control set point 5 = value of S5	9	0	15	-	S	YES
A0	High and low temperature alarm reset differential	2/ 3.6	0.1/0.2	20/ 36	Δ °C/°F	S	NO
A1	Alarm thresholds (AL, AH) relative to the set point St or absolute: 0 = relative; 1 = absolute.	0	0	1	-	S	NO
A3	Defrost terminated after maximum time signal: 0 = disabled; 1 = enabled.	0	0	1	-	S	NO
A5 (wizard only)	Digital input (ID2) configuration: 0 = Not configured 4 = NC door switch 1 = NO external alarm 5 = NO remote ON/OFF 2 = NC external alarm 6 = NC remote ON/OFF 3 = NO door switch	0	0	6	-	U	YES
A6	Stop compressor with external alarm (Toff = 15 minutes, fixed): 0 = compressor always OFF; 100 = compressor always ON.	0	0	100	min	S	NO
A7	Delay time for delayed external alarm (0 = signal-only alarm)	0	0	240	min	S	NO
Ac	Dirty condenser alarm threshold	70/158	0/ 32	250/482	°C/°F	S	NO
Acd	Dirty condenser alarm delay time	0	0	240	min	S	NO
Ad	Delay time for high and low temperature alarms (AH, AL)	120	0	240	min	U	YES
Add	High temperature alarm bypass time for door open	5	1	240	min	U	YES
AE	Dirty condenser alarm reset differential	5	0.1/0.2	20/ 36	Δ °C/°F	S	NO
AF	Frost protection alarm threshold	-5/ -9	-50/ -58	200/392	°C/°F	S	NO
AFd	Frost protection alarm delay time	1	0	15	min	S	NO
AH	Relative high temperature alarm threshold	0	0	555/999	Δ °C/°F	U	YES
AHA	Absolute high temperature alarm threshold	537/999	-100/ -148	537/999	°C/°F	U	YES
AL	Relative low temperature alarm threshold	0	0	200/360	Δ °C/°F	U	YES
ALA	Absolute low temperature alarm threshold	-100/-148	-100/ -148	537/999	°C/°F	U	YES
AuC	Activate auxiliary output	0	0	1	-	S	NO
BtE	Enable Bluetooth™ connection: 0 = disabled; 1 = enabled.	1	0	1	-	S	NO
c0	Delay to enable compressor and evaporator fan at power on	0	0	15	min	S	NO
c1	Min time between consecutive compressor starts	0	0	15	min	S	NO
c10	End pump down: 0 = time; 1 = pressure.	0	0	1	-	S	NO
c11	Second compressor start delay	4	0	250	s	S	NO
c2	Min compressor OFF time	3	0	15	min	S	NO
c3	Min compressor ON time	0	0	15	min	S	NO
c4	ON time for duty setting operation (Toff = 15 minutes, fixed value): 0 = compressor always OFF; 100 = compressor/valve always ON	0	0	100	min	S	NO
c7	Defrost priority over continuous cycle: 0 = continuous cycle has priority; 1 = defrost has priority.	0	0	1	-	S	NO
c8	Compressor start delay after opening the pump down valve	5	0	60	s	S	NO
c9	Restart during pump down: 0 = disabled; 1 = enabled	0	0	1	-	S	NO
cc	Continuous cycle running time (0 = disabled)	0	0	72	hours	S	NO
ccE	Set point delta to end continuous cycle	1.5/ 2.7	0.0/ 0.0	9.9/ 17.8	Δ °C/°F	S	NO
CnC	Start continuous cycle	0	0	1	-	S	NO
cPt	Maximum pump down time (0 = pump down disabled)	0	0	900	s	S	NO
d0	Type of defrost: 0 = heater by temperature; 1 = hot gas by temperature; 2 = heater by time; 3 = hot gas by time; 4 = heater by time with temperature control.	0	0	4	-	S	NO
d10	Compressor OFF time running time defrost - 0 = function disabled	0	0	240	min	S	NO
d11	Defrost temperature threshold in running time mode	-50/ -58	-50/ -58	50/ 122	°C/°F	S	NO
d15	Start defrost threshold	0	0	240	min	S	NO
d16	Time with no temperature decrease before starting defrost	30	Add	240	min	S	NO
d20	Sampling time for alarm rSF	0	0	240	min	S	NO
d21	Number of defrosts allowed before signalling alarm rSF	2	1	5	-	S	NO
d22	Temperature difference to verify decrease	0.1/ 0.2	0.1/ 0.2	0.5/ 0.9	Δ °C/°F	S	NO
d4	Enable defrost at power on: 0 = disabled; 1 = enabled.	0	0	1	-	S	NO
d5	Defrost delay at start-up or after command from digital input	0	0	240	min	S	NO
d6	Display on terminals during defrost: 0 = temperature alternating with 'dEF'; 1 = freeze display; 2 = 'dEF'.	1	0	2	-	S	YES
d7	Skip defrost: 0 = disabled; 1 = enabled.	0	0	1	-	S	NO
d8	Bypass high temperature alarm time after defrost	1	1	240	hours	S	YES

Code	Description	Def.	Min	Max	UOM	User	User term.
d9	Defrost priority over compressor protection times: 0 = the compressor protection times are observed; 1 = the compressor protection times are ignored, therefore defrosting starts without waiting for the compressor protection times to elapse	0	0	1	-	S	NO
dAS	Activate ECO mode	0	0	1	-	U	NO
dC	Time base for defrosts: 0 = dl in hours, dP1 and dP2 in minutes; 1 = dl in minutes, dP1 and dP2 in seconds.	0	0	1	-	S	NO
dC1	Time base for d8: 0 = d8 in hours; 1 = d8 in minutes	0	0	1	-	S	NO
dCH	Defrost after opening the door: maximum number of openings	50	dcL	99	-	S	NO
dcL	Defrost after opening the door: minimum number of openings	0	0	dCH	-	S	NO
dd	Dripping time after defrost (0 = no dripping)	2	0	15	min	S	NO
dfM	Start defrost	0	0	1	-	U	NO
dHA	Condensate drain heater activation time before defrosting	3	1	120	min	S	NO
dHE	Condensate drain heater activation time after defrosting	3	1	120	min	S	NO
dHG	Waiting time for compressor start to reverse cycle	0	0	300	s	S	NO
dl	Maximum interval between consecutive defrosts	8	0	240	hours	S	YES
DIA	Assign immediate external alarm digital input: 0 = Disabled; 1 = ID1; 2 = ID2; 3, 4 = Not available	(***)	0	4	-	S	NO
Dlb	Assign delayed external alarm digital input - see DIA	(***)	0	4	-	S	NO
Dlc	Assign enable defrost digital input - see DIA	(***)	0	4	-	S	NO
Dld	Assign start defrost digital input - see DIA	(***)	0	4	-	S	NO
DIE	Assign door switch with compressor OFF digital input - see DIA	(***)	0	4	-	S	NO
DIF	Assign remote ON/OFF digital input - see DIA	(***)	0	4	-	S	NO
DIG	Assign curtain switch digital input - see DIA	(***)	0	4	-	S	NO
DIH	Assign start/stop continuous cycle digital input - see DIA	(***)	0	4	-	S	NO
DIP	Assign door switch without compressor OFF digital input - see DIA	(***)	0	4	-	S	NO
DIS	Assign generic function alarm digital input logic - see DIA	(***)	0	4	-	S	NO
Dlt	Assign low pressure switch digital input - see DIA	(***)	0	4	-	S	NO
DIU	Assign AUX output activation digital input - see DIA	(***)	0	4	-	S	NO
dn	Nominal defrost duration for skip defrost	75	0	100	%	S	NO
DOA	Assign solenoid/compressor digital output 0 = not configured 1 = digital output 1 (NO1) 2 = digital output 2 (NO2) 3 = digital output 3 (NO3) 4 = digital output 4 (NO4) 5 = digital output 5 (NO5) 6 = digital output 6 (NO6)	(***)	0	6	-	S	NO
DOb	Assign alarm digital output - see DOA	(***)	0	6	-	S	NO
DOC	Assign AUX auxiliary digital output - see DOA	(***)	0	6	-	S	NO
DOE	Assign light digital output - see DOA	(***)	0	6	-	S	NO
DOG	Assign defrost digital output - see DOA	(***)	0	6	-	S	NO
DOH	Assign auxiliary evaporator defrost digital output - see DOA	(***)	0	6	-	S	NO
DOI	Assign evaporator fan digital output - see DOA	(***)	0	6	-	S	NO
DOj	Assign dehumidification heater digital output - see DOA	(***)	0	6	-	S	NO
DOK	Assign auxiliary compressor without rotation digital output - see DOA	(***)	0	6	-	S	NO
DOn	Assign pump down valve digital output - see DOA	(***)	0	6	-	S	NO
DOP	Assign condensate drain heater digital output - see DOA	(***)	0	6	-	S	NO
DOQ	Assign anti-sweat heater digital output - see DOA	(***)	0	6	-	S	NO
DOS	Assign generic On/Off function digital output - see DOA	(***)	0	6	-	S	NO
DOt	Assign condenser fan digital output - see DOA	(***)	0	6	-	S	NO
DOu	Assign humidification digital output - see DOA	(***)	0	6	-	S	NO
DOv	Assign reverse digital output with dead band control - see DOA	(***)	0	6	-	S	NO
DOw	Assign auxiliary parallel compressor digital output - see DOA	(***)	0	6	-	S	NO
DOx	Assign gasket heater digital output - see DOA	(***)	0	6	-	S	NO
DOy	Assign auxiliary compressor with rotation digital output - see DOA	(***)	0	6	-	S	NO
DOz	Assign external dehumidifier digital output - see DOA	(***)	0	6	-	S	NO
dP1	Maximum defrost duration	45	1	240	min	S	YES
dP2	Max auxiliary evaporator defrost duration	45	1	240	min	S	YES
dPH	Defrost after opening the door: maximum defrost duration	15	dPL	dP1	min	S	NO
dPL	Defrost after opening the door: minimum defrost duration	5	0	dPH	min	S	NO
dS1	Compressor off time in sequential stop defrost mode (0 = function disabled)	0	0	45	min	S	NO
dS2	Compressor operating time in sequential stop defrost mode	120	0	240	min	S	NO
dt1	End defrost temperature (read by Sd)	4/39.2	-50/ -58	50/ 122	°C/°F	S	YES
dt2	Auxiliary evaporator end defrost temperature (read by Sd2)	4/39.2	-50/ -58	50/ 122	°C/°F	S	YES
F0	Evaporator fan management: 0 = always on; 1 = activation based on Sd - Sv; 2 = activation based on Sd; 3 = activation based on Sv.	0	0	3	-	S	NO
F00	Condenser fan management: 0 = always on with compressor on 1 = activation based on Sc, off with compressor off.	0	0	1	-	S	NO
F1	Evaporator fan activation threshold (only if F0 = 1, 2, 3)	5/ 41	-50/ -58	50/ 122	°C/°F	S	NO
F10	Evaporator fan forcing time at maximum speed (0 = function disabled)	0	0	240	min	S	NO
F11	Fan ON time with low humidity level	60	0	600	s	S	NO
F12	Fan OFF time with low humidity level	120	0	600	s	S	NO
F13	Fan ON time with medium humidity level	120	0	600	s	S	NO
F14	Fan OFF time with medium humidity level	120	0	600	s	S	NO
F15	Fan ON time with high humidity level	180	0	600	s	S	NO
F16	Fan OFF time with medium humidity level	120	0	600	s	S	NO

Code	Description	Def.	Min	Max	UOM	User	User term.
F17	Temperature control differential for compressor activation with low humidity level	2.0/ 3.6	0.1/ 0.2	20/ 36	Δ °C/ °F	S	NO
F18	Temperature control differential for compressor activation with medium humidity level	2.0/ 3.6	0.1/ 0.2	20/ 36	Δ °C/ °F	S	NO
F19	Temperature control differential for compressor activation with high humidity level	2.0/ 3.6	0.1/ 0.2	20/ 36	Δ °C/ °F	S	NO
F2	Evaporator fans with compressor off: 0 = see F0; 1 = always off with compressor off; 2 = on for anti-stratification; 3 = on for humidity control.	1	0	3	-	S	NO
F20	Modulating evaporator fan speed with low humidity level	10	0	100	%	S	NO
F21	Modulating evaporator fan speed with medium humidity level	20	0	100	%	S	NO
F22	Modulating evaporator fan speed with high humidity level	30	0	100	%	S	NO
F3	Evaporator fans during defrost: 0 = on; 1 = off.	1	0	1	-	S	NO
F4	Condenser fan deactivation temperature	40/ 104	-50/ -58	200/ 392	°C/°F	S	NO
F4r	Humidification output during defrosts: 0 = active based on humidity control; 1 = deactivated during defrosts	1	0	1	-	S	NO
F5	Evaporator fan cut-off temperature (hysteresis 1 °C)	5/41	F1	200/392	°C/°F	S	NO
F5d	Condenser fan activation differential	5/ 9	0.1/ 0.2	60/ 108	Δ °C/ °F	S	NO
F6	Maximum evaporator fan speed	100	F7	100	%	S	NO
F7	Min evaporator fan speed	0	0	F6	%	S	NO
F7h	Minimum evaporator fan speed during humidification	10	0	100	%	S	NO
F8	Evaporator fan start-up time (0 = function disabled)	0	0	240	s	S	NO
FCC	Modulating condenser fan cut-off temperature	2/ 3.6	0	50/ 90	°C/°F	S	NO
FCH	Maximum modulating condenser fan speed	100	0	100	%	S	NO
FCL	Minimum modulating condenser fan speed	0	0	100	%	S	NO
Fct_ALr_disable	Disable "Display alarms" direct function: 0 = direct function visible (if available) 1 = direct function not visible	0	0	1	-	(**)	NO
Fct_Auc_disable	Disable "Activate auxiliary output" direct function - see Fct_ALr_disable	0	0	1	-	(**)	NO
Fct_BtE_disable	Disable "Enable Bluetooth™" direct function - see Fct_ALr_disable	0	0	1	-	(**)	NO
Fct_CnC_disable	Disable "Activate continuous cycle" direct function - see Fct_ALr_disable	0	0	1	-	(**)	NO
Fct_dFM_disable	Disable "Activate defrost" direct function - see Fct_ALr_disable	0	0	1	-	(**)	NO
Fct_Don_disable	Disable DOWN button in the direct functions menu: 0 = button enabled (if available); 1 = button disabled.	0	0	1	-	(**)	NO
Fct_Ec1_disable	Disable "Upload embedded configuration 1" direct functions - see Fct_ALr_disable	0	0	1	-	(**)	NO
Fct_Ec2_disable	Disable "Upload embedded configuration 2" direct functions - see Fct_ALr_disable	0	0	1	-	(**)	NO
Fct_Eco_disable	Disable "Activate ECO mode" direct function - see Fct_ALr_disable	0	0	1	-	(**)	NO
Fct_Ent_disable	Disable ENTER button in the direct functions menu - see Fct_Don_disable	0	0	1	-	(**)	NO
Fct_Esc_disable	Disable ESC button in the direct functions menu - see Fct_Don_disable	0	0	1	-	(**)	NO
Fct_Fr_disable	Disable "Firmware version" direct function - see Fct_ALr_disable	0	0	1	-	(**)	NO
Fct_GF1_disable	Disable "Function associated with button 1" direct function - see Fct_ALr_disable	0	0	1	-	(**)	NO
Fct_GF2_disable	Disable "Function associated with button 2" direct function - see Fct_ALr_disable	0	0	1	-	(**)	NO
Fct_HAC_disable	Disable "HACCP menu direct access" direct function - see Fct_ALr_disable	0	0	1	-	(**)	NO
Fct_HL_disable	Disable "Dim lights" direct function - see Fct_ALr_disable	0	0	1	-	(**)	NO
Fct_HU_disable	Disable "Set humidity level" direct function - see Fct_ALr_disable	0	0	1	-	(**)	NO
Fct_Lht_disable	Disable "Switch on lights" direct function - see Fct_ALr_disable	0	0	1	-	(**)	NO
Fct_nFE_disable	Disable "Enable copy parameters from NFC memory" direct function - see Fct_ALr_disable	0	0	1	-	(**)	NO
Fct_OnF_disable	Disable "Unit On/Off" direct function - see Fct_ALr_disable	0	0	1	-	(**)	NO
Fct_Pd_disable	Disable "Start pull down" direct function - see Fct_ALr_disable	0	0	1	-	(**)	NO
Fct_Prg_disable	Disable PRG button in the direct functions menu - see Fct_Don_disable	0	0	1	-	(**)	NO
Fct_SAh_disable	Disable "View alarm log" direct function - see Fct_ALr_disable	0	0	1	-	(**)	NO
Fct_Sc_disable	Disable "Condenser ng probe" direct function - see Fct_ALr_disable	0	0	1	-	(**)	NO
Fct_Sc1_disable	Disable "Set quick set point 1" direct function - see Fct_ALr_disable	0	0	1	-	(**)	NO
Fct_Sc2_disable	Disable "Set quick set point 2" direct function - see Fct_ALr_disable	0	0	1	-	(**)	NO
Fct_Sc3_disable	Disable "Set quick set point 3" direct function - see Fct_ALr_disable	0	0	1	-	(**)	NO
Fct_Sd_disable	Disable "Defrost probe" direct function - see Fct_ALr_disable	0	0	1	-	(**)	NO
Fct_SHu_disable	Disable "Humidity probe" direct function - see Fct_ALr_disable	0	0	1	-	(**)	NO
Fct_Sm_disable	Disable "Air off probe" direct function - see Fct_ALr_disable	0	0	1	-	(**)	NO
Fct_SPr_disable	Disable "Product probe" direct function - see Fct_ALr_disable	0	0	1	-	(**)	NO

Code	Description	Def.	Min	Max	UOM	User	User term.
Fct_SrG_disable	Disable "Control probe" direct function - see Fct_ALr_disable	0	0	1	-	(**)	NO
Fct_St_disable	Disable "Set control set point" direct function - see Fct_ALr_disable	0	0	1	-	(**)	NO
Fct_Sth_disable	Disable "Set humidity set point" direct function - see Fct_ALr_disable	0	0	1	-	(**)	NO
Fct_Up_disable	Disable UP button in the direct functions menu - see Fct_Don_disable	0	0	1	-	(**)	NO
Fd	Post-dripping time after defrost (fans off with control active)	2	0	15	min	S	NO
Fd0	Evaporator fan ON time for anti-stratification during the day	5	1	100	min	S	NO
FdF	Evaporator fan OFF time for anti-stratification during the day (0 = always ON during the day)	10	0	100	min	S	NO
Fn0	Evaporator fan ON time for anti-stratification at night	5	1	100	min	S	NO
FnF	Evaporator fan OFF time for anti-stratification at night (0 = always ON at night)	20	0	100	min	S	NO
Fpd	Evaporator fans during post-dripping: 0 = on; 1 = off.	1	0	1	-	S	NO
Frd	Evaporator fan activation differential (including variable speed)	2/ 3.6	0.1/ 0.2	20/ 36	Δ °C/°F	S	NO
FSh	Modulating evaporator fan speed in dehumidification	40	0	100	%	S	NO
GF	Custom function associated with the specific button (Large models only): 0 = Not configured; 1 = Light; 2 = Auxiliary output; 3 = Continuous cycle.	3	0	3	-	S	YES
GF1	Custom function associated with the UP arrow - see GF	2	0	3	-	S	YES
GF2	Custom function associated with the DOWN arrow - see GF	1	0	3	-	S	YES
GFA_1	Generic alarm function, control probe 1 0 = not configured; 1 = outlet temperature (Sm); 2 = defrost temperature (Sd); 3 = intake temperature (Sr); 4 = not used; 5 = not used; 6 = auxiliary evaporator defrost temperature (Sd2); 7 = auxiliary probe 1; 8 = auxiliary probe 2; 9 = ambient temperature; 10 = not used; 11 = glass temperature; 12 = not used; 13 = condensing temperature; 14 = humidity; 15 = frost protection temperature; 16 = product temperature.	0	0	16	-	S	NO
GFA_2	Generic alarm function, control probe 2 - see GFA_1	0	0	20	-	S	NO
GFA_D	Generic alarm function, differential	0.1	0.1	99.9	-	S	NO
GFA_De	Generic alarm function, delay	0	0	30000	S	S	NO
GFA_E	Generic alarm function, enable 0 = always; 1 = unit ON; 2 = unit OFF; 3 = defrost; 4 = not used; 5 = continuous cycle; 6 = duty setting; 7 = standby; 8 = compressor or reverse output active; 9 = door open; 10 = active alarm.	8	0	10	-	S	NO
GFA_Hth	Generic alarm function, high temperature threshold	0	GFA_Lth	999	-	S	NO
GFA_Lth	Generic alarm function, low temperature threshold	0	-99	GFA_Hth	-	S	NO
GFM_1	Generic modulating function, control probe 1 - see GFA_1	0	0	20	-	S	NO
GFM_2	Generic modulating function, control probe 2 - see GFA_1	0	0	20	-	S	NO
GFM_CD	Generic modulating function, cut-off differential	0.1	0.1	20	-	S	NO
GFM_D	Generic modulating function, differential	0.1	0.1	99.9	-	S	NO
GFM_E	Generic modulating function, enable - see GFA_E	8	0	10	-	S	NO
GFM_H	Generic modulating function, hysteresis	0.1	0.1	20	-	S	NO
GFM_Kp	Generic modulating function, proportional gain	0	0	100	-	S	NO
GFM_Max	Generic modulating function, max output value	0	0	100	%	S	NO
GFM_Min	Generic modulating function, min output value	0	0	100	%	S	NO
GFM_S	Generic modulating function, set point	0	-99	999	-	S	NO
GFM_T	Generic modulating function, type: 0 = direct; 1 = reverse.	0	0	1	-	S	NO
GFM_Td	Generic modulating function, derivative time	0	0	100	s	S	NO
GFM_Ti	Generic modulating function, integral time	0	0	900	s	S	NO
GFS_1	Generic On/Off function: control probe 1 - see GFA_1	0	0	16	-	S	NO
GFS_2	Generic On/Off function: control probe 2 - see GFA_1	0	0	16	-	S	NO
GFS_D	Generic On/Off function, differential	0	0	99.9	-	S	NO
GFS_E	Generic On/Off function, enable - see GFA_E	8	0	10	-	S	NO
GFS_S	Generic On/Off function, set point	0	-99	999	-	S	NO
GFS_T	Generic On/Off function, type: 0 = direct; 1 = reverse.	0	0	1	-	S	NO
H0	Serial address	1	1	247	-	S	YES
H10	BMS serial port baud rate (bit/s) 0 = 1200 3 = 9600 6 = 57600 1 = 2400 4 = 19200 7 = 115200 2 = 4800 5 = 38400	4	0	8	-	S	YES
H11	BMS serial port configuration (stop bits and parity) 0 = 1 stop bit, no parity; 1 = 2 stop bits, no parity; 2 = 1 stop bit, even parity; 3 = 2 stop bits, even parity; 4 = 1 stop bit, odd parity; 5 = 2 stop bits, odd parity;	1	0	5	-	S	YES
H14	Time light stays on after closing the door	0	0	240	min	U	NO
H8	Output switched with time bands: 0 = Light; 1 = AUX.	0	0	1	-	S	NO
HA1, HA2, HA3	Activation date and time of the first, second and third type HA alarm (read-only)	-	-	-	-	U	NO
HAn	Number of type HA alarms (read-only)	0	0	6	-	U	YES
Hb	Buzzer: 0 = disabled; 1 = enabled.	1	0	1	-	U	YES
Hdh	Delta for anti-heating function	0	0	200/360	Δ °C/°F	S	NO

Code	Description	Def.	Min	Max	UOM	User	User term.
HF1, HF2, HF3	Activation date and time of the first, second and third type HF alarm (read-only)	-	-	-	-	U	NO
HF _n	Number of type HF alarms (read-only)	0	0	6	-	U	YES
HL	Modulating light output activation percentage: 0 = 0%; 1 = 25%; 2 = 50%; 3 = 75%; 4 = 100%.	2	0	4	-	U	NO
HMP	Operating hour threshold for maintenance alarm	hx1000	0	45	0	S	NO
HMr	Reset operating hours	-	0	1	0	S	NO
Htd	HACCP alarm delay (0 = monitoring disabled)	0	0	240	min	S	NO
HU	Humidity level: 0: low; 1: medium; 2: high.	1	0	2	-	U	YES
IS	Working configuration	0	0	IS_Max	-	S	YES
IS_max	Number of embedded configurations (read-only)	0	0	999	-	S	NO
kbM	Keypad operating mode: 0 = wake up; 1 = locked	0	0	1	-	S	NO
Lht	Switch on light command	0	0	1	-	U	NO
MA1	Test mode, activate analogue output 1: 0 = disabled; 1 = automatic; 2 = activated at the value of MAr1.	0	0	1	-	S	NO
MA2	Test mode, activate analogue output 2 - see MA1	0	0	1	-	S	NO
MAr1	Test mode, analogue output 1 request	0	0	100	%	S	NO
MAr2	Test mode, analogue output 2 request	0	0	100	%	S	NO
Mr1	Test mode, activate relay1: 0 = disabled; 1 = automatic; 2 = activated.	1	0	2	-	S	NO
Mr2	Test mode, activate relay 2 - see Mr1	1	0	2	-	S	NO
Mr3	Test mode, activate relay 3 - see Mr1	1	0	2	-	S	NO
Mr4	Test mode, activate relay 4 - see Mr1	1	0	2	-	S	NO
Mr5	Test mode, activate relay 5 - see Mr1	1	0	2	-	S	NO
Mr6	Test mode, activate relay 6 - see Mr1	1	0	2	-	S	NO
Mt	Manual mode duration (0 = manual mode always active)	10	0	90	min	S	NO
nFE	Enable copy parameters from NFC memory to controller: 0 = copy parameters disabled; 1 = copy parameters enabled.	1	0	1	-	S	NO
OfT	Gasket heater OFF time	3	0	250	min	S	NO
On	On/Off command 0 = Off; 1 = On.	1	0	1	-	U	YES (button)
OnT	Gasket heater ON time	5	0	250	min	S	NO
PDS	Service password	22	0	999	-	S	NO
r1	Minimum set point	-50/ -58	-99/ - 146.2	r2	°C/°F	S	NO
r2	Maximum set point	50/ 122	r1	200/ 392	°C/°F	S	NO
r30	Control mode: 0 = direct with defrost; 1 = direct; 2 = reverse	0	0	2	-	S	NO
r4	Automatic night set point variation	3/5.4	-50/ -90	50/ 90	Δ °C/°F	S	NO
r4d	Temperature control differential in ECO mode	4/ 7.2	0.1/ 0.2	99.9/ 179.2	Δ °C/°F	S	NO
r6a	Control probe for night-time operation: 0 = virtual probe Sv; 1 = intake temperature probe Sr	0	0	1	-	S	NO
rAL	Reset alarm log	0	0	1	-	S	YES
rd	Temperature control differential	2/ 3.6	0.1/ 0.2	99.9/ 179.2	Δ °C/°F	S	YES
rdh	Humidity control differential	5	0.1	99.9	% rH	S	YES
Rdrh	Gasket heater control differential	2/ 3.6	0.1/ 0.2	20/ 36	Δ °C/°F	S	NO
rHP	Reset HACCP event log	0	0	1	-	U	YES
rHt	Anti-sweat heater or fan activation time (0 = function disabled)	5	0	180	min	S	NO
rHU	Anti-sweat heater or fan activation percentage (0 = function disabled)	70	0	100	%	S	NO
rIA	Immediate external alarm digital input logic: 0 = direct logic; 1 = reverse logic.	0	0	1	-	S	NO
rlb	Delayed external alarm digital input logic see DIA	0	0	1	-	S	NO
rlc	Enable defrost digital input logic - see rIA	0	0	1	-	S	NO
rld	Start defrost digital input logic - see rIA	0	0	1	-	S	NO
rIE	Door switch with compressor OFF digital input logic - see rIA	0	0	1	-	S	NO
rIF	Remote ON/OFF digital input logic - see rIA	0	0	1	-	S	NO
rIG	Curtain switch digital input logic - see rIA	0	0	1	-	S	NO
Rih	Start/stop continuous cycle digital input logic - see rIA	0	0	1	-	S	NO
rlo	Working parameter set changeover digital input logic - see rIA	0	0	1	-	S	NO
rIP	Door switch without compressor OFF digital input logic - see rIA	0	0	1	-	S	NO
rIS	Generic function alarm digital input logic - see rIA	0	0	1	-	S	NO
rlt	Low pressure switch digital input logic - see rIA	0	0	1	-	S	NO
riU	AUX output activation digital input logic - see rIA	0	0	1	-	S	NO
rn	Dead band	4/ 7.2	0	60/ 108	Δ °C/°F	S	NO
rnH	Dead band for humidity control	5	0	50.0	Δ % rH	S	NO
ro	Control offset with probe error	0	0	20/ 36	Δ °C/°F	S	NO
rOA	Compressor digital output logic: 0=direct; 1=reverse	0	0	1	-	S	NO
rOb	Alarm digital output logic - see rOA	0	0	1	-	S	NO
rOc	Auxiliary digital output logic - see rOA	0	0	1	-	S	NO
rOE	Light digital output logic - see rOA	0	0	1	-	S	NO
rOG	Defrost digital output logic - see rOA	0	0	1	-	S	NO
rOH	Auxiliary evaporator defrost digital output logic - see rOA	0	0	1	-	S	NO
rOI	Evaporator fan digital output logic - see rOA	0	0	1	-	S	NO
rOj	Dehumidification digital output logic - see rOA	0	0	1	-	S	NO
rOk	Auxiliary compressor without rotation digital output logic - see rOA	0	0	1	-	S	NO
rOn	Pump down valve digital output logic - see rOA	0	0	1	-	S	NO
rOP	Drain heater digital output logic - see rOA	0	0	1	-	S	NO
rOq	Anti-sweat heater digital output logic - see rOA	0	0	1	-	S	NO
rOS	Generic On/Off function digital output logic - see rOA	0	0	1	-	S	NO
rOt	Condenser fan digital output logic - see rOA	0	0	1	-	S	NO
rOu	Humidification digital output logic - see rOA	0	0	1	-	S	NO
rOv	Reverse digital output with dead band control logic - see rOA	0	0	1	-	S	NO
rOw	Auxiliary parallel compressor digital output logic - see rOA	0	0	1	-	S	NO
rOx	Gasket heater digital output logic - see rOA	0	0	1	-	S	NO

Code	Description	Def.	Min	Max	UOM	User	User term.
rOy	Auxiliary compressor with rotation digital output logic - see rOA	0	0	1	-	S	NO
rOz	External dehumidifier digital output logic - see rOA	0	0	1	-	S	NO
rr	Reverse output differential	2/ 3.6	0	20/ 36	Δ °C/°F	S	NO
rrH	Dehumidification differential	5	0	50.0	Δ % rH	S	NO
rSA	Reset alarms	0	0	1	-	U	YES
rSC	Restore default values	0	0	1	-	S	YES
Sc1	Custom temperature set point 1	0	r1	r2	°C/°F	S	NO
Sc2	Custom temperature set point 2	0	r1	r2	°C/°F	S	NO
Sc3	Custom temperature set point 3	0	r1	r2	°C/°F	S	NO
Sh1	Custom humidity set point 1	0	0	100	% rH	S	NO
Sh2	Custom humidity set point 2	0	0	100	% rH	S	NO
Sh3	Custom humidity set point 3	0	0	100	% rH	S	NO
St	Temperature control set point	50/ 122	r1	r2	°C/°F	U	YES
St_idx	Custom set point index	0	0	3	-	S	NO
Sth	Humidity control set point	90	0.0	100.0	% rH	U	YES
Strh	Gasket heater control set point	-18/ -0.4	-50/ -58	200/392	°C/°F	S	NO
td1..8-d	Defrost 1 to 8 - day: 0 = event disabled; 1-7 = Monday to Sunday; 8 = Monday to Friday; 9 = Monday to Saturday; 10 = Saturday & Sunday; 11 = every day.	0	0	11	-	U	NO
td1..8-hh	Defrost 1 to 8 - hours	0	0	23	hours	U	NO
td1..8-mm	Defrost 1 to 8 - minutes	0	0	59	minutes	U	NO
td1..8-time	Defrost 1 to 8 (Applica)	00:00:00	00:00:00	23:59:59	-	U	NO
TdL	Differential to enable humidity control	0	0	20/ 36	Δ °C/°F	U	NO
tE1...8-d	End time band 1 to 8 - day, see (td1...8-d)	0	0	11	-	U	NO
tE1...8-hh	End time band 1 to 8 - hours	0	0	23	hours	U	NO
tE1...8-mm	End time band 1 to 8 - minutes	0	0	59	minutes	U	NO
tE1...8-time	End time band 1 to 8 (Applica)	00:00:00	00:00:00	23:59:59	-	U	NO
TestMode	Enable test via BMS serial port	0	0	255	-	(*)	NO
THL	Maximum temperature to enable humidity control	0	-60/ -76	60/ 140	°C/°F	S	NO
TLL	Minimum temperature to enable humidity control	0	-60/ -76	60/ 140	°C/°F	S	NO
tS1...8-d	Start time band 1 to 8 - day, see (td1...8-d)	0	0	11	-	U	NO
tS1...8-hh	Start time band 1 to 8 - hours	0	0	23	hours	U	NO
tS1...8-mm	Start time band 1 to 8 - minutes	0	0	59	minutes	U	NO
tS1...8-time	Start time band 1 to 8 (Applica)	00:00:00	00:00:00	23:59:59	-	U	NO
ucd	Compressor stop delay after HLVP protection activated	5	0	60	s	S	NO
udE	Enable display of HLVP protection alarms (EHI and ELO, see alarm table)	0	0	1	-	S	NO
uEn	Enable HLVP protection: 0 = disabled; 1 = enabled.	0	0	1	-	S	NO
uHi	High voltage protection start threshold	245	0	350	V	S	NO
uHo	High voltage protection end threshold	255	0	350	V	S	NO
uLi	Low voltage protection start threshold	205	0	350	V	S	NO
uLo	Low voltage protection end threshold	195	0	350	V	S	NO
uof	OFF time for humidity duty setting operation	60	c2	120	min	S	NO
uon	ON time for humidity duty setting operation	10	c3	120	min	S	NO

Tab. 8.m

(*) Parameter only available via BMS serial.

(**) Parameter only available via the Applica Desktop configuration software.

(***) According to the selected configuration and the wizard settings. See the list of available configurations in the Appendix.

8.2 Configuring the iJW controller via the Applica app

The "Applica" app can be used to configure the controller from a mobile device (smartphone, tablet), via NFC (Near Field Communication) or BLE (Bluetooth™ Low Energy). The app is used to configure the commissioning parameters and set groups of preset parameters according to specific needs (configurations).

Procedure:

1. download the CAREL "Applica" app;
2. (on the mobile device) start the app for commissioning the controller;
3. activate NFC and/or BLE;
4. If using an NFC connection: move the device near to the controller, maximum distance 10 mm, to upload the configuration parameters;
5. If using a BLE connection:
 - 1. select "BLUETOOTH SCAN" to view the iJW controller devices available within a range of 10 m.
 - 2. select the device to connect to

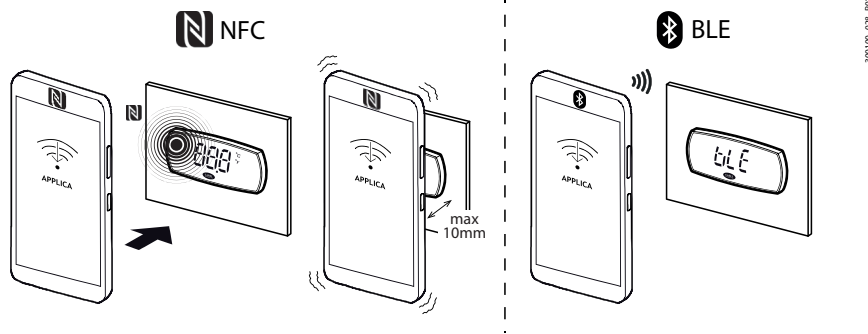


Fig. 8.a

Notice: during the first connection, the Applica app aligns itself with the software version on the iJW controller via a cloud connection; this means a mobile data connection is needed at least for this first connection. If the data connection is not available, the required packet can be retrieved from the cloud as soon as the connection is restored (access the “Packet Manager” section of Applica).

Applica makes it easy to set the parameters on the iJW controller and manage parameter configurations using the hamburger menu at the top left of the screen.

8.2.1 Configurations

Parameter configurations can be created and saved, and then uploaded to the iJW controller using the configuration software or APPLICA app. Configurations can be created either using the default values loaded by Carel, or starting from user-set values on the controller iJW, or alternatively only certain specific values can be modified. Furthermore, using the Applica app it is possible to clone the parameter configuration on board of a control and apply it to another control. See the paragraph “Copying parameter configurations”.

To create a configuration using the SPARK Applica Desktop configuration software - released under license directly by Carel - and starting from the default values on the controller, connect the PC to the BMS connector (RS485) using converter P/N CVSTDUMORO, as shown in the figure:

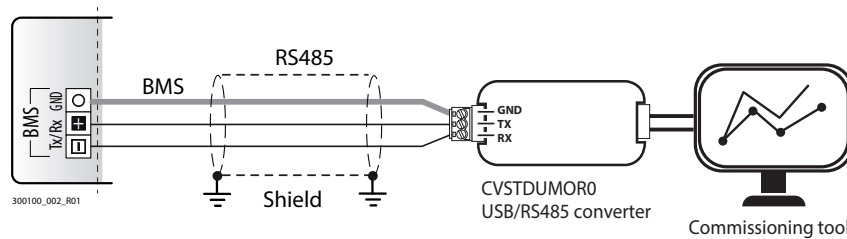


Fig. 8.b

Proceed as follows:

1. In the “Target” tab add a “target”, i.e. the iJW controller to communicate with.
2. Set the type of serial communication and change the connection parameters (default for the iJW baud rate 19200, parity None and 2 stop bit)
3. Select “Connect”.
4. From the “Configurations” tab, select “Add configuration” (e.g. 1).
5. After having created and selected the chosen configuration, select “Copy values to configuration”.
6. The “Configuration value” column will now be populated with the current values on the iJW controller. The values can now be modified to create a custom configuration.
7. The configuration created as above can be immediately uploaded to the iJW controller by selecting “Applica configuration” or saved for future use by selecting “Export configuration”.

Notice: to create a configuration based on the default values loaded by Carel on the iJW controller, simply follow the same procedure as described above, and in step 6 select “Applica default values” rather than “Copy values to configuration”.

9. TECHNICAL SPECIFICATIONS

Physical specifications	Case	Polycarbonate	
	Ball pressure test temperature	125°C	
	Ingress protection	IEC: <ul style="list-style-type: none"> • Rear: IP20 • Front panel: IP65 (Small, large with clips); IP43 (Large without clips) UL: <ul style="list-style-type: none"> • Type 1 (Small, large -5 °C to 60 °C) • Open type (Large -20 °C to 60 °C) 	
	Front cleaning	Use soft, non-abrasive cloth and neutral detergent or water	
Environmental conditions	Operating temperature	-20T60 °C, <90% RH non-condensing	
	Storage temperature	-40T80°C, <90% RH non-condensing; -20T80°C, <90% RH non condensing for models with battery	
Electrical specifications	Rated power supply	• 100-240 Vac	
	Operating power supply voltage	• 90-264 Vac	
	Input frequency	50/60Hz	
	Maximum current draw	• 100 mA rms (Small); • 220 mA rms (Large);	
	Min power consumption	700 mW (Small) 800 mW (Large)	
	Clock	Precision: 20 ppm at 25°C; 100 ppm in the temperature range -20T60 °C. Date/time storage with controller off up to 2 years for models with battery (-20T60°C).	
	Software class and structure	A	
	Environmental pollution class	2 (small) 3 (large)	
	Class of protection against electric shock	To be incorporated in class I or II appliances	
	Type of action and disconnection	1.C	
	Rated impulse voltage	100 - 240 Vac input and relay output: 2.5 kV (Small) 100 - 240 Vac input and relay output: 4 kV (Large)	
	Surge immunity category	100 - 240 Vac input and relay outputs: II (Small) 100 - 240 Vac input and relay outputs: III (Large)	
	Control device construction	Device to be incorporated	
	Terminal block	NO1, NO2, C1, NO3, NO4, NO5, C5, C6, NC6, NO6, L, N: <ul style="list-style-type: none"> • Removable male-female 30-12 AWG/0.05-3.3 mm² S1, S2, S3, DI1, DI2, GND: • Removable male-female 30-17 AWG/0.05-1 mm² S1, S2, S3, S4, DI1, DI2, GND (Large): • Removable male-female 30-12 AWG/0.05-3.3 mm² BMS, 0-5 Vrat: • Removable male-female 30-17 AWG/0.05-1 mm² 0-10 V/PWM: • JST ZH connector 32-26 AWG/0.03-0.13 mm² 	
	Purpose of the controller	Electrical control device	
	User interface	Buzzer	Integrated
		Display	3 digits, decimal point, and multi-function icons
Keypad		Max 6 keys (Small); Max 8 keys (Large)	
Connectivity	NFC	Max distance 10 mm, variable according to the mobile device used	
	Bluetooth™ Low Energy (opt.)	Max distance 10 m, variable according to the mobile device used	
	BMS serial interface (opt.)	RS485 not optically-isolated	
	TTL serial interface (opt.)	Not opto-isolated, 3.3 V power supply, maximum number of devices connected: 1	
Analogue inputs (Lmax=10m)	S1, S2, S3, S4: NTC/ NTC-HT/ NTC-LT/ PT1000/ PTC	NTC: resolution 0.1°C; 10 kΩ@25°C; beta 3435; error: ±1 °C in the range -50T50°C, ±3 °C in the range 50T90°C NTC-HT: resolution 0.1°C; 50 kΩ@25°C; beta 3977; error: ±1.5°C in the range -15T115°C, ±4°C in the range 40T-15°C and 115T150°C; NTC_LT: resolution 0.1°C; 750Ω@25°C; beta 3969; error: ±1.5°C in the range -20T10°C, ±4°C in the range 80T-20°C and 10T55°C PT1000: resolution 0.1°C; 1 kΩ@0°C; error: ± 1°C in the range - 60T120°C PTC: resolution 0.1°C; 985 Ω@25°C; error: ±2 °C in the range -50T50°C, ±4 °C in the range 50T150°C	
	5: 0-5 Vrat (opt.)	0-5 Vrat: error 2% fs, typical 1%	
Digital inputs	DI1, DI2 configurable as fast digital inputs	Voltage-free contact, not optically-isolated, typical closing current 5 mA, voltage with contact open 12 V, max contact resistance 50 Ω Fast digital inputs: 0-10 V: error 2 % fs, typical 1 %	
Digital outputs (Small)	NO1, NO2, NO3, NO4	NO1 (2 hp): EN60730: 10(6) A, 250 Vac; UL60730: 16A, 250 Vac; 8FLA, 48LRA, 250 Vac; Pilot duty B300, 250 Vac	
	Notice: <ul style="list-style-type: none"> • NO1: max 12 A; • NO2+NO3+NO4: max 12 A 	NO2 (8 A): EN60730: 8(3) A, 240 Vac; UL60730: 8A, 240 Vac; 2FLA, 12LRA, 240 Vac; Pilot duty C300, 240 Vac NO3, NO4 (5 A): EN60730: 5(1) A, 240 Vac; UL60730: 5A, 240 Vac; 1FLA, 6LRA, 240 Vac; Pilot duty C300, 240 Vac	

Digital outputs (Large)	NO1, NO2, NO3, NO4, NO5, NO6, NC6	NO1, NO2, NO3, NO4 (8 A): IEC60730: 8(3) A, 250 Vac; UL60730: 8 A, 250 Vac; 2FLA, 12LRA, 250 Vac; Pilot duty C300, 250 Vac
	Notice: • NO1+NO2: max 10 A; • NO3+NO4: max 10 A. NO5: 30 A or 2 HP depending on the model, see label. • NO5: max 12 A;	NO5 (30 A): IEC60730: 20(10) A, 250 Vac; UL60730: 16 A, 250 Vac; 16FLA, 96LRA, 250 Vac
		NO5 (2 hp): IEC60730: 10(6) A, 250 Vac; UL60730: 16A, 250 Vac; 8FLA, 48LRA, 250 Vac; Pilot duty B300, 250 Vac
		NO6, NC6 (16 A SPDT): EN60730: 12(2) A, 250 Vac NO; 12(2) A, 250 Vac NC; 2(2) A, 250 Vac CO; UL60730: 12 A, 250 Vac NO; 12 A, 250 Vac NC; 5FLA, 30LRA, 250 Vac NO; Pilot duty C300, 250 Vac NO
Power supply PROBES	5V	5 Vdc \pm 2 % to power the 0 to 5 V ratiometric probes. Maximum current delivered: 10 mA
Cable lengths	Analogue inputs/outputs, digital inputs/outputs, probe power	< 10 m
	BMS serial port (RS485):	< 500 m with shielded cable
	BMS serial (TTL)	< 2 m
Conformity	Electrical safety compliance - LVD directive and UL certification	IEC/EN/UL 60730-1, CSA E60730-1, IEC 60335-1 (sections 29 & 30)
	Electromagnetic compatibility - EMC directive	IEC/EN 61000-6-1, IEC/EN 61000-6-2, IEC/EN 61000-6-3, IEC/EN 61000-6-4
	For use with flammable refrigerants, the controllers described in this document have been tested and found to comply with the following requirements of the IEC 60335 series standards:	
	<ul style="list-style-type: none"> Annex CC of IEC 60335-2-24: 2010, referred to in clause 22.109, and Annex BB of IEC 60335-2-89: 2010, referred to in clause 22.108; components that produce arcs or sparks during normal operation have been tested and found to comply with the requirements of UL/IEC 60079-15; IEC/EN/UL 60335-2-24 (clauses 22.109, 22.110) for household refrigerators and freezers; IEC/EN/UL 60335-2-40 (clauses 22.116, 22.117) for electric heat pumps, air conditioners and dehumidifiers; IEC/EN/UL 60335-2-89 (clauses 22.108, 22.109) for commercial refrigerating appliances. 	
	The controllers have been verified for the maximum temperatures of all components, which during the tests required by IEC 60335 cl. 11 and 19 do not exceed 272°C. The acceptability of these controllers in the final application where flammable refrigerants are used needs to be reviewed and verified depending on the final application.	
	Wireless compliance	RED directive (EN 301489-1), FCC (section 15, subsection B), IC.

Tab. 9.a

9.1 Connector/cable table

Ref.	Description	Wiring terminals	Wire cross-section (mm ²)	Lmax (m)
L, N	Controller power supply	Removable screw terminal, 2-pin, pitch 5 mm (Small without options)/5.08mm (Small with options, Large)	0.05-3.3 (30-12 AWG)	10
S1 ... S3 (Small)	Probes	Removable terminal; 5-pin, pitch 3.81 mm (Small, without options) 2x3 pins, pitch 3.5 mm (Small, with options) 4+3 pins, pitch 5.08 mm (Large)	0.05-1 (30-17 AWG)	10
S1 to S3, S4 (Large)	Probes	Removable terminal; 5-pin, pitch 3.81 mm (Small, without options) 2x3 pins, pitch 3.5 mm (Small, with options) 4+3 pins, pitch 5.08 mm (Large)	0.05-3.3 (30-12 AWG)	10
S5, 5 V	Probe power supply ratiometric	Removable screw terminal, 2-pin, pitch 3.5 mm	0.05-1 (30-17 AWG)	10
ID1, ID2	Digital inputs	Removable screw terminal, 5-pin, pitch 5.08 mm (Small, without options) 2x3 pins, pitch 3.5 mm (Small, with options) 4+3 pins, pitch 5.08 mm (Large)	0.05-3.3 (30-12 AWG)	10
NO1...NO6	Digital outputs	Removable terminal, 5-pin (Small), 4x3-pin (Large), pitch 5.08 mm	0.05-3.3 (30-12 AWG)	10
BMS	BMS serial port (RS485):	Removable screw terminal, 3-pin, pitch 3.5 mm	0.05-1 (30-17 AWG)	500, with shielded cable, cross section at least 0.33 mm ² (22 AWG)
TTL	BMS serial (TTL)	JST ZH connector, 4-pin, pitch 2 mm - Connection cable part number (see "Introduction").	0.03-13 (32-26 AWG)	2

Tab. 9.b

10. ALARMS AND SIGNALS

10.1 Signals



Signals are messages shown on the display to notify the user of the control procedures in progress (e.g. defrost) or to confirm keypad input.

Display code	Description
Ble	Bluetooth™ connection in progress
dEF	Defrost running
Loc	Display locked
Off	Switch OFF
On	Switch ON

Tab. 10.a

10.2 Types of alarms

The iJW controller can display two types of malfunctions:

- **warning**, when this type of error occurs, the alarm code is shown on the display, alternating with the main value, and the “Service” icon  is shown on the display, however the buzzer does not sound, no relay is activated; some signals fall under this category, e.g. defrost ended due to maximum time, dirty condenser, anomalous temperature alarms, configuration errors.
- **alarms**, when this type of error occurs, the alarm code is shown on the display, alternating with the main value, and the “Service” icon  comes on, the buzzer flashes and the relay is activated; this category includes alarms for which with the relay is configured as an alarm, probe errors, temperature alarms, frost protection, communication errors with the VCC compressor, power supply over and under voltage, etc.


Notice:

- the digital outputs can be configured to signal the alarm status, normally open or normally closed. See “Digital outputs”.
- An alarm can also be activated from an external contact, immediate or delayed. See “Digital inputs”.

The warning and alarm signals can be immediate or delayed by parameter (see the Alarm table).

Both warnings and alarms can be reset automatically, manually or semi-automatically:

- **automatic**, when the cause is no longer present, the alarm also ceases;
- **manual**, when the cause is no longer present, the alarm remains active until manually reset by parameter;
- **semi-automatic**, reset is automatic 3 times in an hour, after which manual reset is required.

Active alarms are signalled by the buzzer (see parameter Hb) and the flashing of the “Service” icon . The alarm code is shown on the display, alternating with the main value. Pressing any button mutes the buzzer. If more than one error occurs, these are displayed in sequence. When an alarm is cleared, it is stored in the alarm log containing a maximum of five alarms, in a FIFO list (the 6th alarm overwrites the 1st alarm, and so on). The error log can be accessed from the user terminal, via supervisor or Applica app (Bluetooth™ connection only).

Example

Display after HI error.

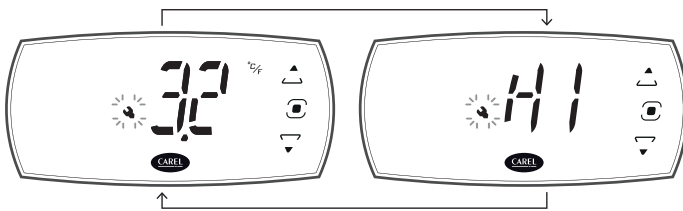


Fig. 10.a

The alarms can be reset manually using parameter rSA, from the user terminal or Applica Desktop configuration software, or in Applica (Bluetooth™ connection only) using the specific command on the Alarms page (“Service” or “Manufacturer” level access is required). If the condition that generated the alarm is still present, the alarm will be reactivated after resetting.

The alarm log can be deleted using parameter rAL, accessible from the user terminal, Applica Desktop configuration software or in Applica (Bluetooth™ connection only) using the specific command on the Alarms page (“Service” or “Manufacturer” level access is required).

- **Notice:** deleting the alarm log is irreversible.

10.3 Alarm table

Display code	Log code (*)	Description	Delay (default)	Icon display	Alarm relay	Buzzer	Reset	Effects on control
Afr	29	Frost protection	Afd (1 min)	YES	YES	YES	Automatic	Stop compressor
AtS	30	Restart in pump down	-	NO	NO	NO	Automatic	-
CE	28	Configuration write error	-	NO	NO	NO	Automatic	-
cht	17	High pre-alarm Condenser temperature	-	NO	NO	NO	Automatic	-
CHt	18	High conductivity Condenser temperature	Acd (0 min)	NO	NO	NO	Manual	Compressor shutdown
dA	14	Delayed alarm from external contact	A7 (1 min)	YES	YES	YES	Automatic	Compressor operation in duty setting mode (par. A6); dead band, lights and auxiliary output OFF
dor	15	Door open	Add (5 s)	YES	YES	YES	Automatic	See "Door management"
E1	1	Probe 1 faulty or disconnected	-	NO	NO	NO	Automatic	According to the CONNECTIONS
E2	2	Probe 2 faulty or disconnected	-	NO	NO	NO	Automatic	
E3	3	Probe 3 faulty or disconnected	-	NO	NO	NO	Automatic	
E4	4	Probe 4 faulty or disconnected	-	NO	NO	NO	Automatic	
E5	5	Probe 5 faulty or disconnected	-	NO	NO	NO	Automatic	
Ed1	10	Defrost terminated after maximum time	-	NO	NO	NO	Automatic	-
Ed2	11	Defrost on second evaporator terminated after maximum time	-	NO	NO	NO	Automatic	-
EHI	36	High temperature alarm power supply	-	YES	YES	YES	Automatic	-
ELO	37	Low pressure alarm power supply	-	YES	YES	YES	Automatic	-
Etc	9	Clock error	-	NO	NO	NO	Manual	Time bands disabled
GHI	19	Generic alarm high threshold	GFA_De (0 s)	YES	YES	YES	Automatic	-
GLO	20	Generic alarm low threshold	GFA_De (0 s)	YES	YES	YES	Automatic	-
HA	21	Type HA HACCP alarm (high temp. during operation)	-	NO	NO	NO	Manual	-
HF	22	Type HF HACCP alarm (high temp. after blackout)	-	NO	NO	NO	Manual	-
HI	24	High temperature	Ad (120 s)	YES	YES	YES	Automatic	-
IA	13	Immediate alarm from external contact	-	YES	YES	YES	Automatic	Compressor operation in duty setting mode (par. A6); dead band OFF
LO	23	Low temperature	Ad (120 s)	YES	YES	YES	Automatic	-
LP	32	Low pressure	-	YES	YES	YES	Semi-automatic	Compressor shutdown
MAn	38	Output status overridden in manual mode	-	YES	YES	YES	Automatic	-
Pd	26	Maximum time Pump down	-	YES	YES	YES	Automatic	-
rE	12	Control probe faulty or disconnected	-	YES	YES	YES	Automatic	Compressor operation in duty setting mode (par. c4); dead band OFF
rSF	31	Refrigerant leak alarm	-	YES	YES	YES	Manual	Switch off all actuators
SF	27	Configuration not completed correctly	-	NO	NO	NO	Manual	-
SrC	35	Maintenance request	-	YES	YES	YES	Manual	-

Tab. 10.b

(*) This is the code used to record and display the alarm in the Applica app.

10.4 Low and high temperature alarms LO and HI

The high and low temperature alarm thresholds can be relative or absolute, depending on the value of parameter A1:

- A1 = 0: the relative thresholds AL and AH are considered and represent the deviation from the set point; the low temperature alarm is activated at set point - AL, and the high temperature alarm at set point + AH. If the set point changes, the alarm activation point also changes automatically.
- A1 = 1, the absolute thresholds ALA and AHA are considered, representing the absolute low temperature and high temperature alarm threshold, respectively. If the set point changes, the activation point remains the same.

Par.	Description	Def	Min	Max	UOM	User	User terminal
d8	Bypass high temperature alarm time after defrost	30	1	240	min	S	YES
A0	High and low temperature alarm reset differential	2	0.1	20	°C/°F	S	NO
A1	Alarm thresholds (AL, AH) relative to the set point St or absolute: 0 = relative; 1 = absolute	0	0	1	-	S	YES
A6	Stop compressor with external alarm (Toff = 15 minutes, fixed): 0 = compressor always OFF; 100 = compressor always ON	0	0	100	min	S	NO
Ad	Delay time for high and low temperature alarms (AH, AL)	120	0	240	min	U	YES
Add	High temperature alarm bypass time for door open	30	1	240	min	U	YES
AH	Relative high temperature alarm threshold	0	0	555/999	Δ °C/°F	U	YES
AHA	Absolute high temperature alarm threshold	537/999	-100/-148	537/999	°C/°F	U	YES
AL	Relative low temperature alarm threshold	0	0	200/360	Δ °C/°F	U	YES
ALA	Absolute low temperature alarm threshold	-100/-148	-100/-148	537/999	°C/°F	U	YES

Relative thresholds

Parameter AL is used to set the activation threshold for the low temperature alarm LO. The value measured by the control probe is continuously compared against the value of St-AL, and if it falls below this value for a time longer than Ad, the low temperature alarm LO is activated. The low temperature alarm LO ceases automatically when the temperature rises back above St-AL+A0. Similarly, parameter AH is used to set the activation threshold for the high temperature alarm HI. The value measured by the control probe is continuously compared against the value of St+AH, and if it rises above this value for a time longer than Ad, the high temperature alarm HI is activated. The high temperature alarm HI ceases automatically when the probe reading falls below St+AH-A0.

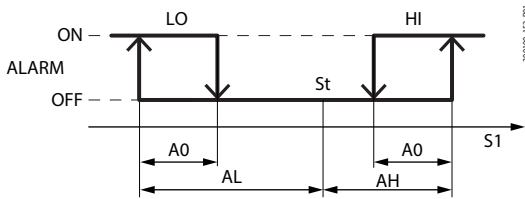


Fig. 10.b

Ref.	Description
LO	Low temperature alarm
HI	High temperature alarm
S1	Control probe
St	Set point
AL	Relative low temperature alarm threshold
AH	Relative high temperature alarm threshold
A0	Return differential

Absolute thresholds

Parameter ALA is used to set the activation threshold for the low temperature alarm LO. The value measured by the control probe is continuously compared against the value of ALA, and if it falls below this value for a time longer than Ad, the low temperature alarm LO is activated. The low temperature alarm LO ceases automatically when the temperature rises back above ALA+A0. Similarly, parameter AHA is used to set the activation threshold for the high temperature alarm HI. The value measured by the control probe is continuously compared against the value of AHA, and if it rises above this value for a time longer than Ad, the high temperature alarm HI is activated. The high temperature alarm HI ceases automatically when the probe reading falls below AHA-A0.

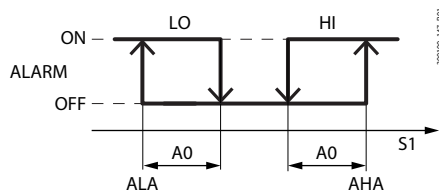


Fig. 10.c

Ref.	Description
LO	Low temperature alarm
HI	High temperature alarm
S1	Control probe
AL	Low temperature alarm threshold
AH	High temperature alarm threshold
A0	Return differential

The high temperature alarm is ignored for a time set by parameter Add after opening the door, and for parameter d8 after defrosting, to avoid false signals. Once the times set by parameter Add or d8 have elapsed, the delay set by parameter Ad starts counting and the alarm is signalled when it elapses.

The active low temperature alarm LO is signalled by the buzzer and the code LO shown on the display, while the active high temperature alarm HI is signalled by the buzzer and the code HI.

10.5 HACCP alarms (HACCP = Hazard Analysis and Critical Control Point)

These are specific alarms for controlling the operating temperature, recording any anomalies due to power failures or an increase in the temperature due to other causes (breakages, extreme operating conditions, user errors, etc.); see “HACCP alarm parameters and activating monitoring” for details.

Two types of potentially critical HACCP events are managed:

- type HA alarms, high temperature during operation;
Example: The critical temperature was exceeded, the alarm was not managed and the temperature remained above the threshold for longer than the maximum tolerable time (thresholds defined by site HACCP procedures). The event is critical and potentially hazardous.
 - type HF alarms, high temperature after power failure;
Example: The unit was powered off. When restarted, the temperature is above the threshold and does not return to an acceptable level within an appropriate time (parameters defined by site HACCP procedures). The event is critical and potentially hazardous.
- When an alarm occurs, the HACCP icon comes on (if featured), the display shows the alarm code, the alarm is logged and the alarm relay and buzzer are activated.

10.5.1 HACCP alarm parameters and activating monitoring

Type HA alarms

The type HA alarm is generated if during normal operation the temperature read by the control probe exceeds the high temperature threshold for the time Ad+Htd. Consequently, compared to the normal high temperature alarm already signalled by the controller, the type HA HACCP alarm is delayed by a further time Htd specifically for HACCP recording.

Par.	Description	Def	Min	Max	UOM	User	User terminal
Htd	HACCP alarm delay - 0 = monitoring disabled	0	0	240	min	S	NO

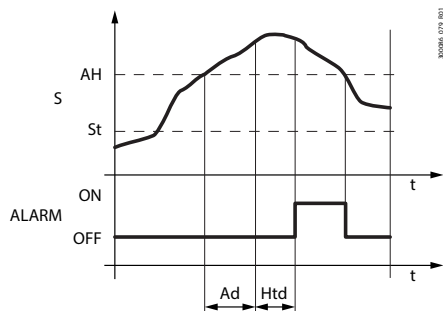


Fig. 10.d

Ref.	Description
S	Control probe
St	Set point
ALARM	Type HA HACCP alarm
Ad	Delay time for high and low temperature alarms
AH	High temperature alarm threshold
Htd	HACCP alarm delay - 0 = monitoring disabled
t	Time

Code	Description	Def	Min	Max	UOM	User	User terminal
HAn	Number of type HA alarms (read-only)	0	0	6	-	U	YES
HA1, HA2, HA3 (*)	Activation date and time of the first, second and third type HF alarm	-	U	NO

Type HF alarms

The type HF HACCP alarm is generated following a power failure, if when power returns the temperature read by the control probe exceeds the AH high temperature threshold. HF_n indicates the number of type HF alarms activated.

Par.	Description	Def.	Min	Max	UOM	User	User terminal
HF _n	Number of type HF alarms (read-only)	0	0	6	-	U	YES
HF1, HF2, HF3 (*)	Activation date and time of the first, second and third type HF alarm	-	U	NO

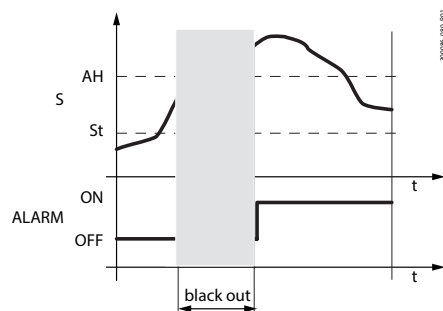


Fig. 10.e

Ref.	Description
S	Control probe
St	Set point
ALARM	Type HF HACCP alarm
AH	High temperature alarm threshold
t	Time

(*) Parameters visible in APPLICA.

The HA and HF alarm signals can be reset using the alarm reset parameter rSA.

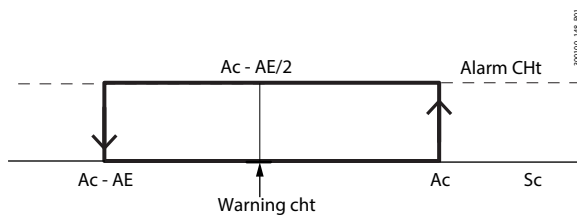
The HACCP event log can be deleted using parameter rHP, from the Applica Desktop configuration software or in the Applica app (Bluetooth™ connection only).

Notice: deleting the HACCP event log is irreversible.

10.6 Dirty condenser alarm

If the condensing temperature probe is fitted, the iJW controller can monitor the reading so as to signal a dirty condenser alarm.

Par.	Description	Def.	Min	Max	UOM	User	User terminal
/Fo	Assign condensing temperature probe:	0	0	7	-	S	NO
	0 disabled	4	S4				
	1 S1	5	reserved				
	2 S2	6	6 = Not available				
	3 S3	7	7 = Not available				
Ac	Dirty condenser alarm threshold	70/158	0/32	250/482	°C/°F	S	NO
AE	Dirty condenser alarm differential	5/9	0.1/0.2	20/36	Δ °C/ °F	S	NO
ACd	Dirty condenser alarm delay	0	0	240	min	S	NO



Ref.	Description
Sc	Condensing temperature probe reading
Ac	Dirty condenser alarm threshold
AE	Dirty condenser alarm differential
ACd	Dirty condenser alarm delay
cht	Dirty condenser warning
CHt	Dirty condenser alarm

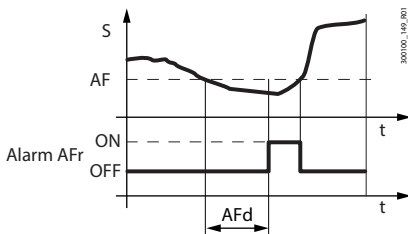
Fig. 10.f

When the temperature $Ac - AE/2$ is exceeded, warning cht is generated to signal that the condenser is possibly obstructed. If the temperature subsequently returns below $Ac - AE$, the warning ceases automatically. If on the other hand the condensing temperature rises above the alarm threshold Ac for a time greater than the value set for parameter ACd , alarm CHt is generated and the compressor is stopped. Alarm CHt is reset manually; this is done by setting parameter rSA .

10.7 Frost protection alarm

If the frost protection temperature probe is fitted, the iJW controller can manage the frost protection alarm.

Par.	Description	Def.	Min	Max	UOM	User	User terminal
/Fq	Assign frost protection probe:	0	7	1	-	S	NO
	0 disabled	4	S4				
	1 S1	5	reserved				
	2 S2	6	6 = Not available				
	3 S3	7	7 = Not available				
AF	Frost protection alarm threshold	-5/-9	-50/-58	250/392	°C/°F	S	NO
AFd	Frost protection alarm delay	1	0	15	min	S	NO



Ref.	Description
t	Time
AF	Frost protection alarm threshold
AFd	Frost protection alarm delay
AFr	Frost protection alarm
S	Frost protection temperature

Fig. 10.g

When the frost protection temperature falls below the alarm threshold AF for a time greater than the value set for parameter AFd , alarm Afr is generated and the compressor is stopped. Alarm Afr is reset automatically when the temperature rises above the threshold AF .

10.8 Refrigerant leak alarm rSF

The iJW controller manages an algorithm that checks if the temperature decreases after the compressor is switched on; if the temperature does not decrease sufficiently, the controller attempts to perform a number of defrosts. If even after defrosting the temperature still does not fall, it is assumed that there has been a refrigerant leak and manual-reset alarm rSF is generated, which stops the unit.

Code	Description	Def.	Min	Max	UOM	User	User terminal
d20	Sampling time for alarm rSF	0	0	240	min	S	NO
d16	Time with no temperature decrease before starting defrost	30	Add	240	min	S	NO
d21	Number of defrosts allowed before signalling alarm rSF	2	1	5	-	S	NO
d22	Temperature difference to verify decrease	0.1/0.2	0.1/0.2	0.5/0.9	Δ °C/°F	S	NO

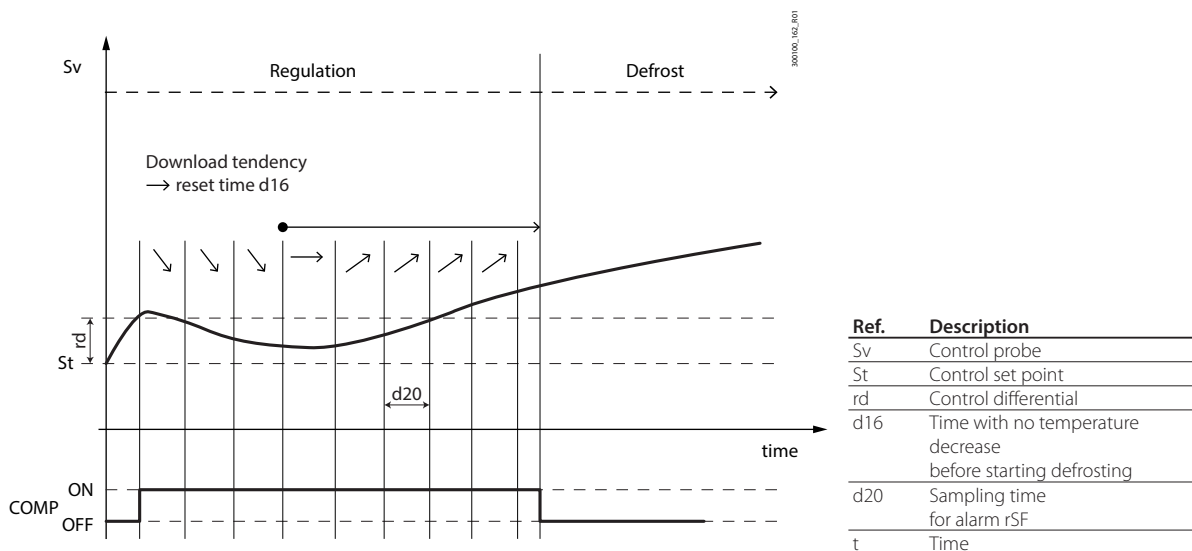


Fig. 10.h

After switching on the compressor, the iJW controller checks at the intervals set for d20 that the control temperature falls by at least by the value set for parameter d22; at the end of each interval, if the temperature decreases, the time with no temperature decrease is reset; on the other hand, if the temperature remains constant or increases, the controller starts counting the time with no temperature decrease, and on reaching the threshold set by parameter d16, a defrost is started. This operating cycle is repeated for a maximum number of defrosts set by parameter d21, after which alarm rSF is activated and the unit is switched off. Alarm rSF is reset manually using parameter rSA.

10.9 Maintenance alarm

The iJW controller can count the time that elapses since maintenance was last carried out, and signal a maintenance request alarm.

Code	Description	Def	Min	Max	UOM	User	User terminal
HMP	Operating hour threshold for maintenance alarm hx1000	0	0	45	hours/1000	S	NO
HMr	Reset operating hours	0	0	1	-	S	YES

If the RTC clock is available and working correctly, the iJW controller can count the number of hours that have elapsed since the last time the operating hours were reset. When the threshold set by parameter HMP is exceeded, the maintenance request alarm SrC is signalled. Alarm SrC is reset manually by resetting the operating hours using parameter HMr. Parameter HMr can be used to reset the count of operating hours since maintenance was last carried out even if the alarm has not been activated. If the operating hour threshold HMP=0 (default), the alarm is disabled.

Notice: the maintenance alarm can only be activated on models fitted with RTC and with the clock set correctly.

11. LOGS

The iJW controller can record both periodic and event logs, which can then be viewed and downloaded using the Applica app and commissioning tools. To view the logs from Applica, select Service Area -> Trend -> (tab) Logs for the periodic logs, or Service Area -> Trend -> (tab) Events for event logs:



Fig. 11.a

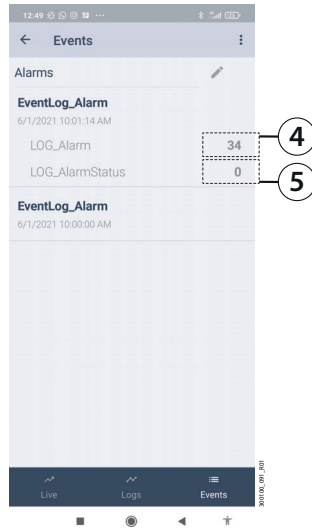


Fig. 11.b

Ref.	Description
1	Preset
2	Periodically logged variables
3	Tools to modify the display
4	Alarm status (0= not active; 1 = active)
5	Codice allarme (Vedere tabella Capitolo "Allarmi")

The log view is pre-set, however it can be changed using the editing tools. In addition, the pre-set views loaded on the device allow the main values to be filtered (temperature, HACCP alarms, blackouts, etc.). To download the logs, use the drop-down menu at the top right.

11.1 Periodic logs

The periodic logs record the main values at regular intervals, as shown in the table.

Logged value	UOM	Period
Control temperature	°C/°F	5 min
Current temperature set point.	°C/°F	1 h
Current humidity	% rh	1 h
Current humidity set point	% rh	1 h
Maximum temperature in the period	°C/°F	1 h
Minimum temperature in the period	°C/°F	1 h
Current evaporation temperature	°C/°F	1 h
Current condensing temperature	°C/°F	1 h
Compressor, minutes ON in the period	min	1 h
Compressor, starts in the period	-	1 h
Evaporator fan, minutes ON in the period	min	1 h
Lights, minutes ON in the period	min	1 h
Defrost, minutes ON in the period	min	1 h
Low temperature alarm relative threshold	Δ °C/°F	1 h
Low temperature alarm relative threshold	Δ °C/°F	1 h

Tab. 11.a

11.2 Event logs

Event logs are recorded when specific conditions occur, and can be used to store certain related values, as shown in the table.

Logged value	Event	Other recorded values	Number of samples (*)	Limits
Alarm	Alarm activation	Number of the active alarm with highest priority. Alarm status (active/ceased)	100	max 255 (Notice 2)
Blackout	Device ON	Power failure duration in minutes	100	1000 hours
HACCP alarms	HA or HF alarm	Type HA or HF alarm	50	-

Tab. 11.b

(*) The samples are stored in a circular FIFO list (e.g. for the alarms, the 21st alarm overwrites the 1st alarm, and so on).

The type of alarm recorded in the log can be identified using the alarm code (see the Alarm table).

changing the time set on the iJW controller by more than 140 minutes will clear the stored logs.

12. APPENDIX

12.1 ir33 and IJ parameter compatibility table

The table below shows the parameters from the Carel PJ and IR33 platforms that have changed name or function in the IJ platform. The parameters not listed in this chapter have retained the same name and the same function.

ir33	IJ	Description	Default	Min	Max	UOM
AF	-	Not present	-	-	-	-
AP	-	Not present	-	-	-	-
Apd	-	Not present	-	-	-	-
H6	-	Not present	-	-	-	-
H9	-	Not present	-	-	-	-
/c1, /c2,	/cA	Outlet temperature probe (Sm) calibration	0	-20/ -36	20/ 36	Δ °C/ °F
/c3, /c4, /c5	/cb	Defrost temperature probe (Sd) calibration	0	-20/ -36	20/ 36	Δ °C/ °F
	/cc	Intake temperature probe (Sr) calibration	0	-20/ -36	20/ 36	Δ °C/ °F
	/cF	Auxiliary evaporator defrost temperature probe (Sd2) calibration	0	-20/ -36	20/ 36	Δ °C/ °F
	/cg	Auxiliary temperature probe 1 calibration	0	-20/ -36	20/ 36	Δ °C/ °F
	/cH	Auxiliary temperature probe 2 calibration	0	-20/ -36	20/ 36	Δ °C/ °F
	/cl	Room temperature probe calibration	0	-20/ -36	20/ 36	Δ °C/ °F
	/cM	Glass temperature probe calibration	0	-20/ -36	20/ 36	Δ °C/ °F
	/co	Condensing temperature probe calibration	0	-20/ -36	20/ 36	Δ °C/ °F
	/cp	Humidity probe calibration	0	-20/ -36	20/ 36	Δ °C/ °F
	/cq	Frost protection temperature probe calibration	0	-20/ -36	20/ 36	Δ °C/ °F
	/cr	Product temperature probe calibration	0	-20/ -36	20/ 36	Δ °C/ °F
/A2, /A3, /A4, /A5	/FA	Assign outlet temperature probe (Sm) 0 = Function disabled 1 = Probe S1 2 = Probe S2 3 = Probe S3 4 = Probe S4 5 = Reserved 6 = Not available 7 = Not available	...	0	7	-
	/Fb	Assign defrost temperature probe (Sd) - see /FA	...	0	7	-
	/Fc	Assign intake temperature probe (Sr) - see /FA	...	0	7	-
	/FF	Assign auxiliary evaporator defrost temperature probe (Sd2) - see /FA	...	0	7	-
	/FG	Assign auxiliary temperature probe 1 (Saux1) - see /FA	...	0	7	-
	/FH	Assign auxiliary temperature probe 2 (Saux2) - see /FA	...	0	7	-
	/FI	Assign ambient temperature probe (SA) - see /FA	...	0	7	-
	/FM	Assign glass temperature probe (Svt) - see /FA	...	0	7	-
	/Fo	Assign condensing temperature probe - see /FA	...	0	7	-
	/FP	Assign humidity probe (fixed on S5)	...	5	5	-
	/Fq	Assign frost protection temperature probe - see /FA	...	0	7	-
	/FR	Assign product temperature probe - see /FA	...	0	7	-
H2	/nE	Enable user terminal navigation: 0= enabled; 1 = disabled 2 = Remote ON/OFF 3 = On/Off and access to set point disabled.	0	0	3	-
/P	/P1	Configuration of probes S1, S2, S3, S4, B5 0 = PT1000; 1 = PTC; 2 = NTC; 3 = NTC-LT; 4 = NTC-HT.	2	0	4	-
	/P2	Configuration of multifunction input S3/DI1: 0, 1, 2, 3, 4 = S3; 5 = DI1.	5	0	5	-
/tl	/t1	Display on user terminal: 0 = Not configured 1 = value of S1 2 = value of S2 3 = value of S3 4 = value of S4 5 = value of S5 6 to 8 = not available 9 = control probe 10 = virtual probe 11 to 14 = not available 15 = actual control set point	9	0	15	-
/tE	/t2	Display on remote display - see /t1	0	0	15	-
A8	A3	Defrost terminated after maximum time signal: 0 = disabled; 1 = enabled	30	1	240	min
d8d	Add	High temperature alarm bypass time for door open	5	1	240	min
ALF	AF	Frost protection alarm threshold	-5/ -9	-50/ -58	200/392	°C/°F
AdF	Afd	Frost protection alarm delay time	1	0	15	min
d9	c7	Defrost priority over continuous cycle: 0 = continuous cycle has priority; 1 = defrost has priority	0	0	1	-
cc, cPd	cc	Continuous cycle running time (0 = disabled)	0	0	72	h
c7	cPt	Maximum pump down time (0 = pump down disabled)	0	0	900	s
d3	d15	Start defrost threshold	0	0	240	min
d12	d7	Skip defrost: 0 = disabled; 1 = enabled	0	0	1	-

ir33	iJ	Description	Default	Min	Max	UOM	
A4, A5, A9	DIA	Assign immediate external alarm digital input: 0 = Disabled; 1 = ID1; 2 = ID2; 3, 4 = Not available	...	0	4	-	
	DIB	Assign delayed external alarm digital input - see DIA	...	0	4	-	
	DIC	Assign start defrost digital input - see DIA	...	0	4	-	
	DID	Assign start defrost digital input - see DIA	...	0	4	-	
	DIE	Assign door switch with compressor OFF digital input - see DIA	...	0	4	-	
	DIF	Assign remote ON/OFF digital input - see DIA	...	0	4	-	
	DIG	Assign curtain switch digital input - see DIA	...	0	4	-	
	DIH	Assign start/stop continuous cycle digital input - see DIA	...	0	4	-	
	DIP	Assign door switch without compressor OFF digital input - see DIA	...	0	4	-	
	DIS	Assign generic function alarm digital input logic see DIA	...	0	4	-	
	DIT	Assign low pressure switch digital input see DIA	...	0	4	-	
	DIU	Assign AUX output activation digital input see DIA	...	0	4	-	
	H1, H5	DOA	Assign solenoid/compressor digital output 0 = not configured 4 = digital output 4 (NO4) 1 = digital output 1 (NO1) 5 = digital output 5 (NO5) 2 = digital output 2 (NO2) 6 = digital output 6 (NO6) 3 = digital output 3 (NO3)	...	0	6	-
		DOB	Assign alarm digital output - see DOA	...	0	6	-
DOC		Assign AUX auxiliary digital output - see DOA	...	0	6	-	
DOE		Assign light digital output - see DOA	...	0	6	-	
DOG		Assign defrost digital output - see DOA	...	0	6	-	
DOH		Assign auxiliary evaporator defrost digital output - see DOA	...	0	6	-	
DOI		Assign evaporator fan digital output - see DOA	...	0	6	-	
DOJ		Assign dehumidification heater digital output - see DOA	...	0	6	-	
DOK		Assign auxiliary compressor without rotation digital output - see DOA	...	0	6	-	
DON		Assign pump down valve digital output - see DOA	...	0	6	-	
DOP		Assign condensate drain heater digital output - see DOA	...	0	6	-	
DOQ		Assign anti-sweat heater digital output - see DOA	...	0	6	-	
DOS		Assign generic On/Off function digital output - see DOA	...	0	6	-	
DOT		Assign condenser fan digital output - see DOA	...	0	6	-	
DOU		Assign humidification digital output - see DOA	...	0	6	-	
DOV		Assign reverse digital output with dead band control - see DOA	...	0	6	-	
DOW		Assign auxiliary parallel compressor digital output - see DOA	...	0	6	-	
DOX		Assign gasket heater digital output - see DOA	...	0	6	-	
DOY		Assign auxiliary compressor with rotation digital output - see DOA	...	0	6	-	
DOZ		Assign external dehumidifier digital output - see DOA	...	0	6	-	
F5	F5d	Condenser fan activation differential	5/ 9	0.1/ 0.2	60/ 108	°C/°F	
Ado	H14	Time light stays on after closing the door	0	0	240	min	
H4	Hb	Buzzer: 0 = disabled; 1 = enabled	1	0	1	-	
HF	HF1	Activation date and time of the first, second and third type HF alarm	-	
Hdn	IS	Configuration to be loaded (0 = no configuration selected)	0	0	...	-	
Pw	PDS	Service password	22	0	999	-	
r3	r30	Control mode: 0 = direct with defrost; 1 = direct; 2 = reverse	0	0	2	-	
tof_d_	tE1- d, ..., tE8- d	End time band 1 to 8 - day, see (td1...8-d)	0	0	11	-	
tof_h_	tE1-hh, ..., tE8-hh	End time band 1 to 8 - hours	0	0	23	hours	
tof_m_	tE1-mm, ..., tE8- mm	End time band 1 to 8 - minutes	0	0	59	minutes	
toF	tE1- time, ..., tE8- time	End time band 1 to 8 (Applica)	00:00:00	00:00:00	23:59:59	-	
ton_d_	tS1- d, ..., tS8- d	Start time band 1 to 8 - day, see (td1...8-d)	0	0	11	-	
ton_h_	tS1-hh, ..., tS8-hh	Start time band 1 to 8 - hours	0	0	23	hours	
ton_m_	tS1- mm, ..., tS8-mm	Start time band 1 to 8 - minutes	0	0	59	minutes	
ton	tS1- time, ..., tS8- mm	Start time band 1 to 8 (Applica)	00:00:00	00:00:00	23:59:59	-	

Tab. 12.a

12.2 Input/output configuration procedure

The inputs and outputs can be configured in the Applica app or Applica Desktop configuration software by setting the corresponding parameters.



Fig. 12.a

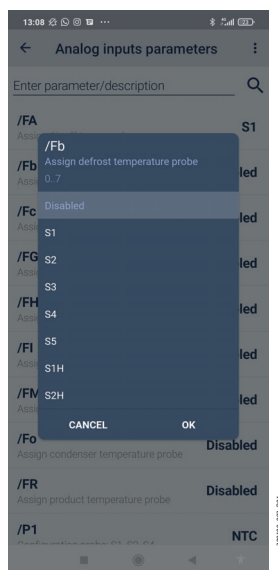


Fig. 12.b

Procedure:

1. open Applica on the smartphone;
2. access the controller via NFC or Bluetooth™, entering the profile credentials;
3. move the device closer to the iJW to modify the input/output configuration on (NFC connection only);
4. access Service Area-> I/O;
5. Select the Inputs or Outputs tab;
6. Select the modification tool corresponding to the group of inputs/outputs to be modified;
7. the example in the figure shows the defrost probe assignment) and set the input/output to be associated with the function; press OK to confirm;
8. Select "Write" from the drop-down menu at the top right, move the device closer to the iJW and tap "Applica" (NFC connection only).

Analogue inputs

Code	Description	Def	Min	Max	UOM	User	User term.
/P1	Configuration of probes S1, S2, S3, S4, B5 0 = PT1000; 1 = PTC; 2 = NTC; 3 = NTC-LT; 4 = NTC-HT	2	0	4	-	S	NO
/P2	Configuration of multifunction input S3/ DI1: 0, 1, 2, 3, 4 = S3; 5 = DI1	5	0	5	-	S	NO
/FA	Assign outlet temperature probe (Sm) 0 = Function disabled 1 = Probe S1 2 = Probe S2 3 = Probe S3 4 = Probe S4 5 = Reserved 6 = Not available 7 = Not available	1	0	7	-	S	NO
/Fb	Assign defrost temperature probe (Sd) - see /FA	0	0	7	-	S	NO
/Fc	Assign intake temperature probe (Sn) - see /FA	0	0	7	-	S	NO
/FF	Assign auxiliary evaporator defrost temperature probe (Sd2) - see /FA	...	0	7	-	S	NO
/FG	Assign auxiliary temperature probe 1 (Saux1) - see /FA	...	0	7	-	S	NO
/FH	Assign auxiliary temperature probe 2 (Saux1) - see /FA	...	0	7	-	S	NO
/FI	Assign ambient temperature probe (SA) - see /FA	...	0	7	-	S	NO
/FM	Assign glass temperature probe (Svt) - see /FA	...	0	7	-	S	NO
/Fo	Assign condensing temperature probe - see /FA	...	0	7	-	S	NO
/FP	Assign humidity probe (fixed on S5)	...	5	5	-	S	NO
/Fq	Assign frost protection temperature probe - see /FA	...	0	7	-	S	NO
/FR	Assign product temperature probe - see /FA	...	0	7	-	S	NO

To set the type of probe, use parameter /P1.

Digital inputs

Code	Description	Def	Min	Max	UOM	User	User term.
DIA	Assign immediate external alarm digital input: 0 = Disabled; 1 = ID1; 2 = ID2; 3, 4 = Not available	...	0	4	-	S	NO
D1b	Assign delayed external alarm digital input - see DIA	...	0	4	-	S	NO
D1c	Assign enable defrost digital input - see DIA	...	0	4	-	S	NO
D1d	Assign start defrost digital input - see DIA	...	0	4	-	S	NO
D1E	Assign door switch with compressor OFF compressore - Vedere DIA	...				S	
D1F	Assign remote ON/OFF digital input - see DIA	...				S	
D1G	Assign curtain switch digital input - see DIA	...	0	4	-	S	NO

Code	Description	Def	Min	Max	UOM	User	User term.
DIH	Assign start/stop continuous cycle digital input - see DIA	...	0	4	-	S	NO
DIP	Assign door switch without compressor OFF compressore - Vedere DIA	...	0	4	-	S	NO
DIS	Assign generic function alarm digital input logic - see DIA	...	0	4	-	S	NO
DIt	Assign low pressure switch digital input - see DIA	...	0	4	-	S	NO
DIU	Assign AUX output activation digital input - see DIA	...	0	4	-	S	NO

Digital outputs

Code	Description	Def	Min	Max	UOM	User	User term.
DOA	Assign solenoid/compressor digital output 0 = not configured 1 = digital output 1 (NO1) 2 = digital output 2 (NO2) 3 = digital output 3 (NO3) 4 = digital output 4 (NO4) 5 = digital output 5 (NO5) 6 = digital output 6 (NO6)	(***)	0	6	-	S	NO
DOb	Assign alarm digital output - see DOA	(***)	0	6	-	S	NO
DOC	Assign AUX auxiliary digital output - see DOA	(***)	0	6	-	S	NO
DOE	Assign light digital output - see DOA	(***)	0	6	-	S	NO
DOG	Assign defrost digital output - see DOA	(***)	0	6	-	S	NO
DOH	Assign auxiliary evaporator defrost digital output - see DOA	(***)	0	6	-	S	NO
DOI	Assign evaporator fan digital output - see DOA	(***)	0	6	-	S	NO
DOj	Assign dehumidification heater digital output - see DOA	(***)	0	6	-	S	NO
DOK	Assign auxiliary compressor without rotation digital output - see DOA	(***)	0	6	-	S	NO
DOn	Assign pump down valve digital output - see DOA	(***)	0	6	-	S	NO
DOP	Assign drain heater digital output - see DOA	(***)	0	6	-	S	NO
DOQ	Assign anti-sweat heater digital output - see DOA	(***)	0	6	-	S	NO
DOS	Assign generic On/Off function digital output - see DOA	(***)	0	6	-	S	NO
DOt	Assign condenser fan digital output - see DOA	(***)	0	6	-	S	NO
DOu	Assign humidification digital output - see DOA	(***)	0	6	-	S	NO
DOv	Assign reverse digital output with dead band control - see DOA	(***)	0	6	-	S	NO
DOw	Assign auxiliary parallel compressor digital output - see DOA	(***)	0	6	-	S	NO
DOx	Assign gasket heater digital output - see DOA	(***)	0	6	-	S	NO
DOy	Assign auxiliary compressor with rotation digital output - see DOA	(***)	0	6	-	S	NO
DOz	Assign external dehumidifier digital output - see DOA	(***)	0	6	-	S	NO

12.3 Setting the default parameters/loading the parameter sets

The working set contains the group of parameters used by the iJW controller during normal operation. This set is loaded whenever the iJW controller is started, and the parameters can be modified at any time from the terminal, supervisor, Applica app and Applica Desktop configuration software. This set of parameters, customised by the user to control their refrigeration system, can be saved in a configuration using Applica. Subsequently the configuration can be retrieved and loaded onto the controller again using Applica.

iJW also stores a default parameter set in its memory; this set can never be overwritten, being stored in a non-modifiable memory area. The default configuration can be loaded to restore the system to factory conditions.

In addition, various parameter configurations are pre-loaded on the iJW in the internal memory of the device, which can be copied to the working set if desired, see the paragraph "List of available configurations and relative connections". A specific parameter can therefore be set to apply the different configurations directly from the terminal or in Applica.

12.3.1 Procedure for setting the default parameters/loading the parameter sets

Par.	Description	Def.	Min.	Max.	UOM	User	User term.
IS	Working configuration	0	0	IS_Max	-	S	YES
IS_max	Number of embedded configurations	0	0	999	-	S	NO
rSC	Restore default values	0	0	1	-	S	YES

User terminal (see "User interface" for details)

Procedure:

1. enter the parameter setting menu;
2. use the UP and DOWN buttons to scroll the submenus until selecting "Ctl";
3. use the UP and DOWN buttons to scroll the parameters until selecting "rSC" to restore the Carel default values, or "IS" to load one of the parameter sets available on the controller;
4. to reset the parameters to the default values, after having selected parameter "rSC", press UP/DOWN to set the value 1 and confirm by pressing PROGRAM;
5. to load one of the parameter sets available on the controller, after selecting parameter "IS", press UP/DOWN to choose the value corresponding to the parameter set to be loaded as the working set, and confirm by pressing PROGRAM.

Applica

Procedure:

1. open Applica on the smartphone;
2. access the controller via NFC or Bluetooth™, entering your profile credentials;
3. scroll to parameter "rSC" (if enabled in the access profile) to restore the Carel default values, or "IS" to load one of the parameter sets available on the controller;
4. set parameter "rSC" or "IS" and confirm.



Notice: the visibility of parameters "rSC" and "IS" depends on the access profile used and whether or not there are any embedded configurations, respectively.

Applying a configuration means copying the set values of the configuration parameters to the working parameters. Any empty parameters (parameters without values set in that configuration) will remain unaffected. The copy procedure is started by changing the value of parameter IS.

Once the configuration has been applied, the value of any of the parameters can be modified without affecting the configuration loaded on the controller, which can thus be recalled at any time, firstly setting the corresponding parameter to 0 and then to the value associated with the desired configuration.



Notice:

- the parameters contained in a configuration cannot be modified in any way.
- Any parameters that are not included in the configuration will remain unchanged, even if the configuration used is changed.
- Recalling the factory parameters resets the settings without however changing the configurations.

12.4 Copy configuration parameters

To simplify operations in the field, Applica includes a "Clone" feature to acquire the configuration from one iJW and replicate it on other controllers.

Procedure:

1. open Applica on the smartphone;
2. access the controller via NFC or Bluetooth™, entering the profile credentials;
3. follow the path "Configurations/Clone";
4. move the smartphone closer to the iJW controller to acquire the configuration from (NFC connection only);
5. following the acknowledgement message, move the smartphone closer to the iJW controller to apply the same configuration to (NFC connection only);
6. wait for the cloning confirmation message to be shown.



Notice: cloning copies all of the parameters, even those not visible to the user based on the access profile. On the other hand, to copy only the parameters that are visible to the user, use the "Create configuration" option, accessible from Service Area -> Setup -> Parameter list.

12.5 List of available configurations and related connections

12.5.1 Configurations with 2 relays

201 - Compressor

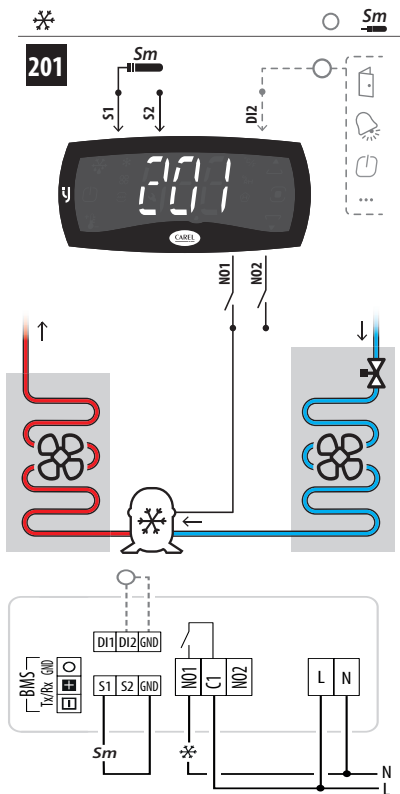


Fig. 12.c

202 - Compressor - Heater

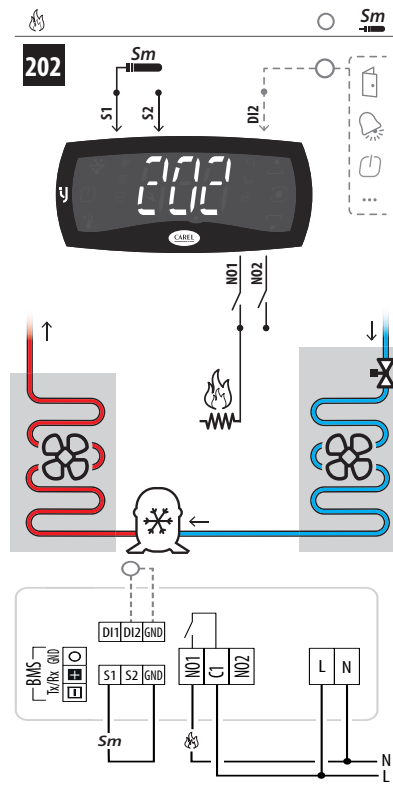


Fig. 12.d

203 - Compressor - Fan

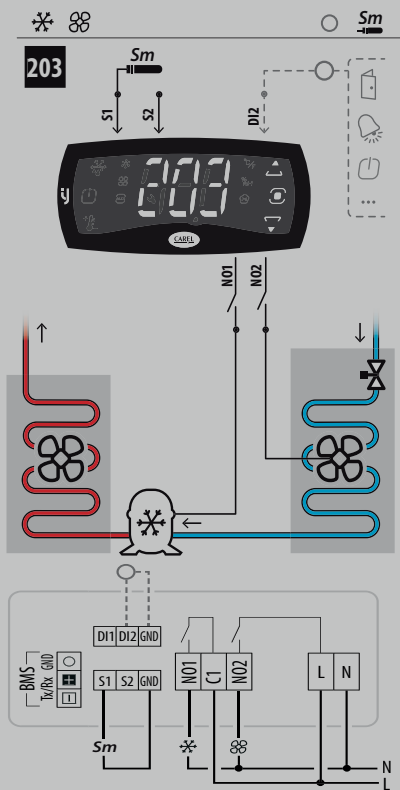


Fig. 12.e

204 - Compressor - Defrost

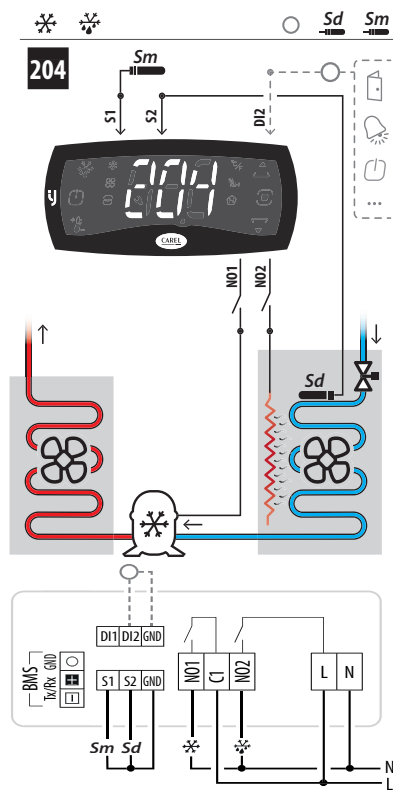


Fig. 12.f

Default controller configuration

205 - Compressor - Alarm

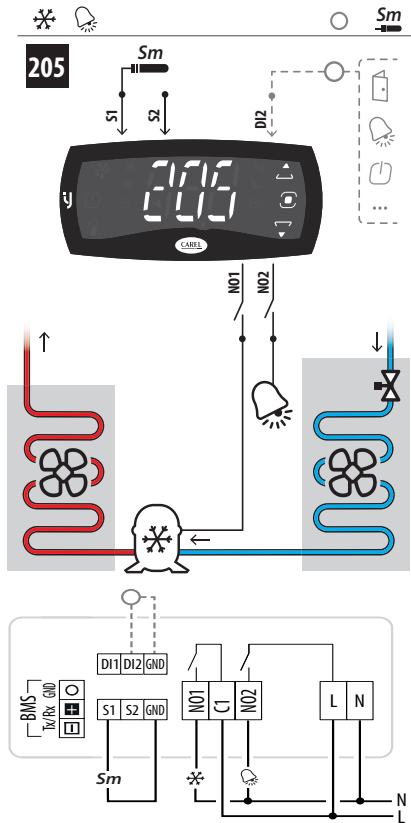


Fig. 12.g

206 - Compressor - Light

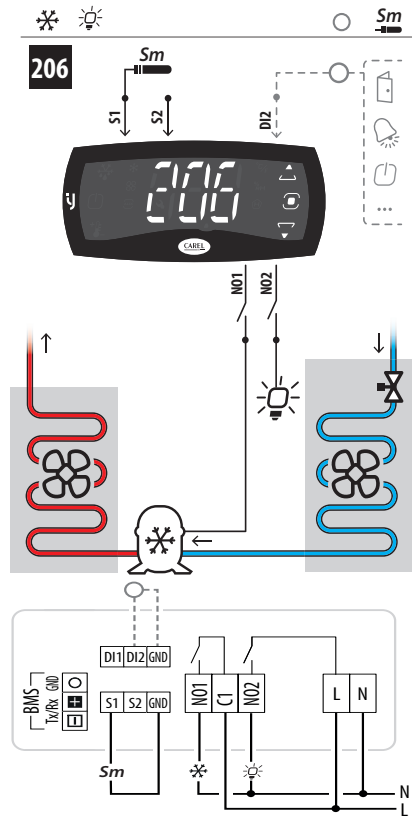


Fig. 12.h

207 - Compressor - Heater

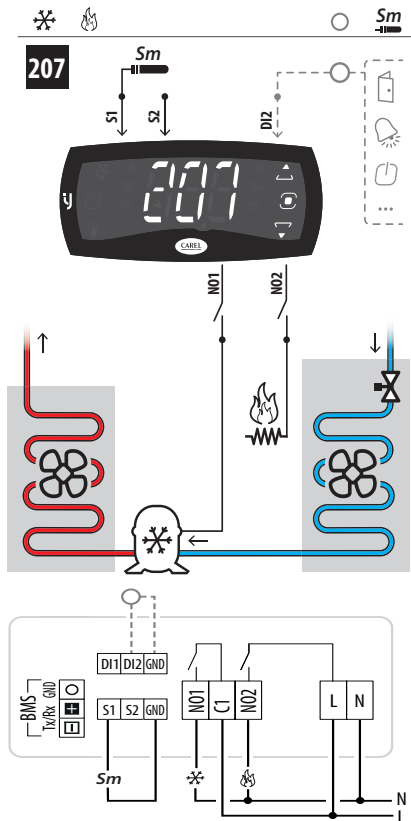


Fig. 12.i

208 - Heater - Fan

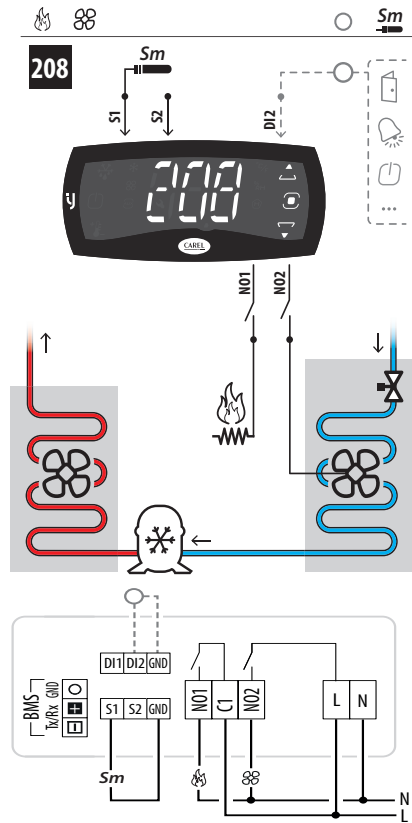


Fig. 12.j

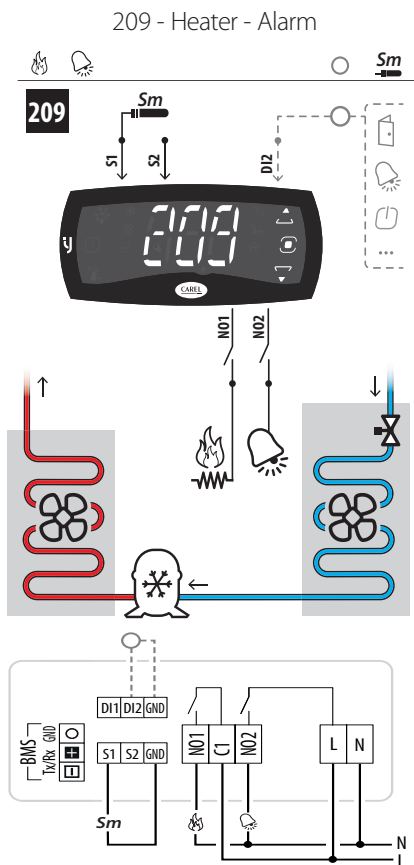


Fig. 12.k

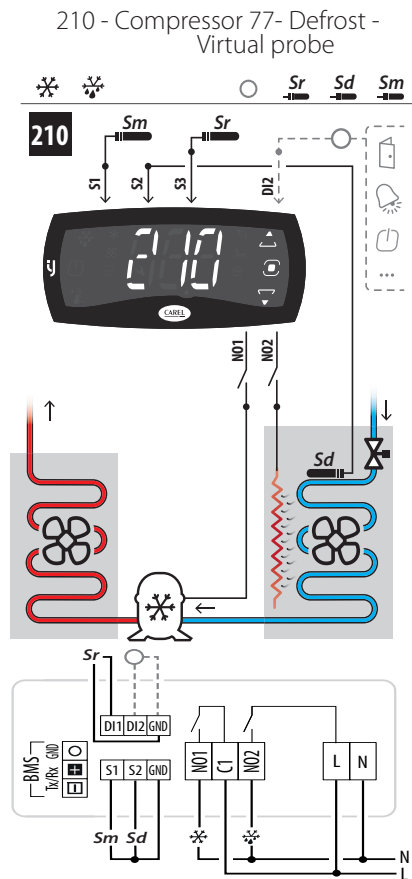


Fig. 12.l

Parameters list of configurations with 2 relays

When choosing a configuration, the parameters shown in the table are automatically set.

Par.	Description	Configuration									
		201	202	203	204	205	206	207	208	209	210
/FA	Assign outlet temperature probe Sm	1	1	1	1	1	1	1	1	1	1
/Fb	Assign defrost temperature probe Sd	0	0	0	2	0	0	0	0	0	2
/Fc	Assign intake temperature probe Sr	0	0	0	0	0	0	0	0	0	3
DOA	Assign solenoid/compressor digital output	1	0	1	1	1	1	1	0	0	1
DOb	Assign alarm digital output	0	0	0	0	2	0	0	0	2	0
DOE	Assign light digital output	0	0	0	0	0	2	0	0	0	0
DOG	Assign defrost digital output	0	0	0	2	0	0	0	0	2	0
DOI	Assign evaporator fan digital output	0	0	2	0	0	0	0	2	0	0
DOv	Assign reverse digital output with dead band control	0	1	0	0	0	0	2	2	1	0
GF2	Custom function associated with the DOWN arrow	0	0	0	0	0	1	0	0	0	0
/P2	Configuration of multifunction input S3/ DI	5	5	5	5	5	5	5	5	5	3

Tab. 12.b

12.5.2 Configurations with 4 relays

403 - Compressor - Fan

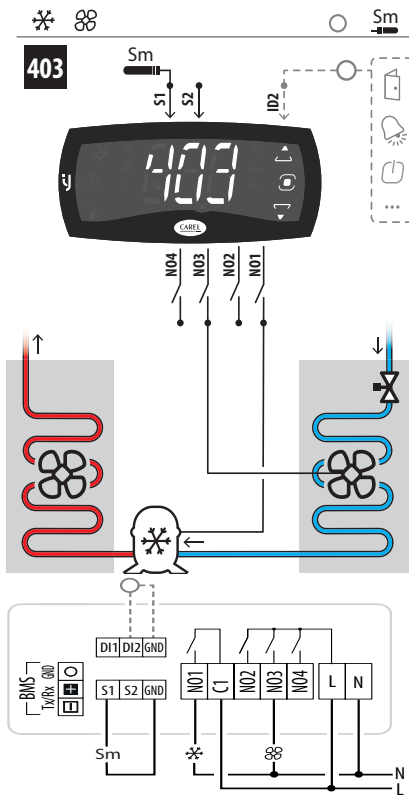


Fig. 12.m

404 - Compressor - Defrost

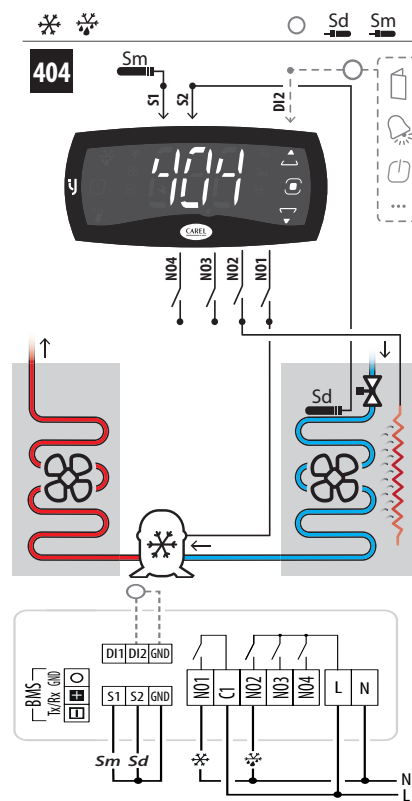


Fig. 12.n

405 - Compressor - Alarm

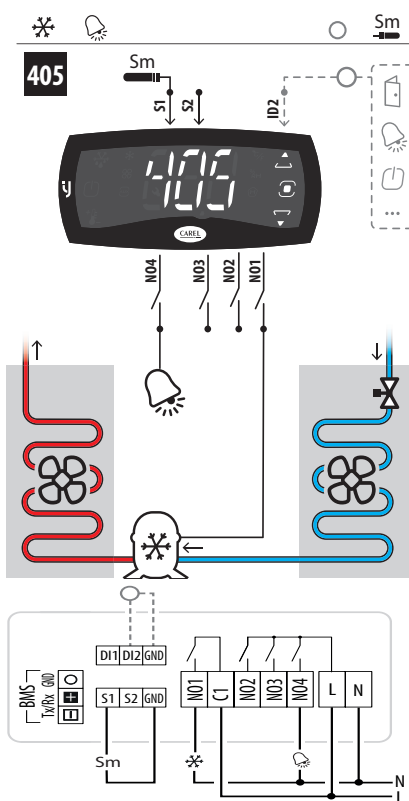


Fig. 12.o

406 - Compressor - Light

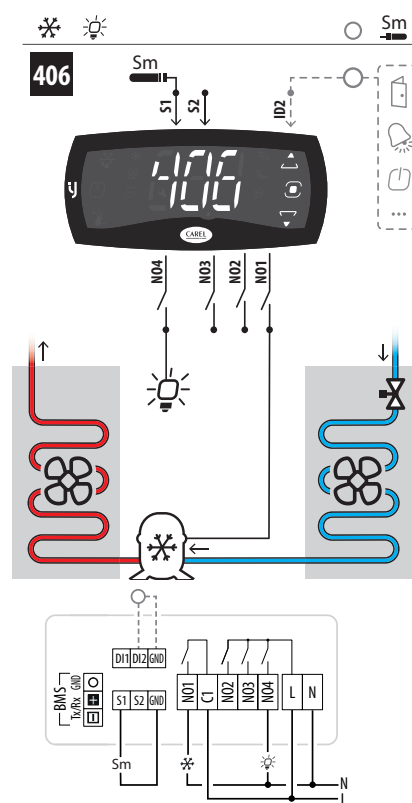


Fig. 12.p

407 - Compressor - Heater

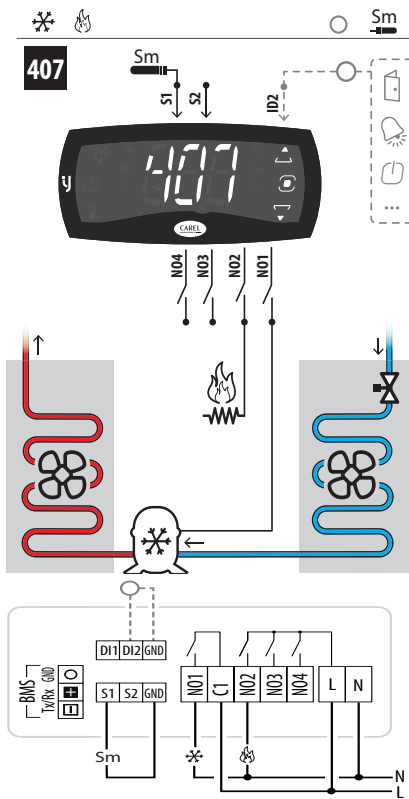


Fig. 12.q

408 - Heater - Fan

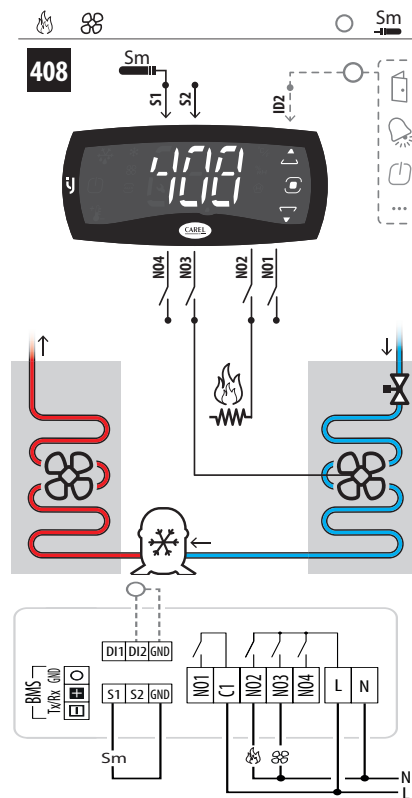


Fig. 12.r

409 - Heater - Alarm

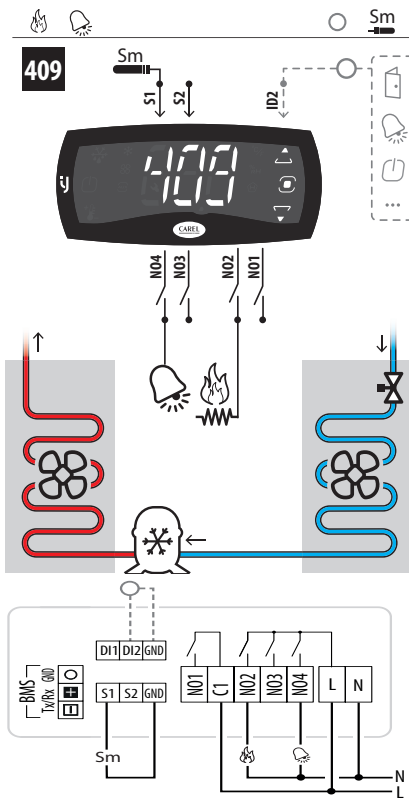


Fig. 12.s

411 - Compressor - Humidifier

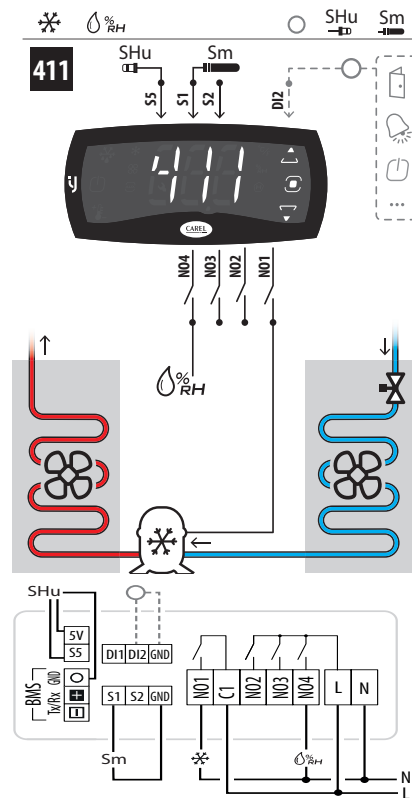


Fig. 12.t

Default controller configuration

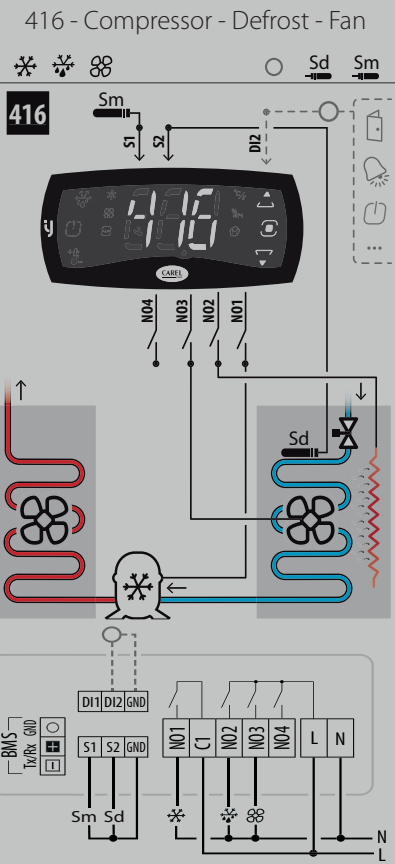


Fig. 12.u

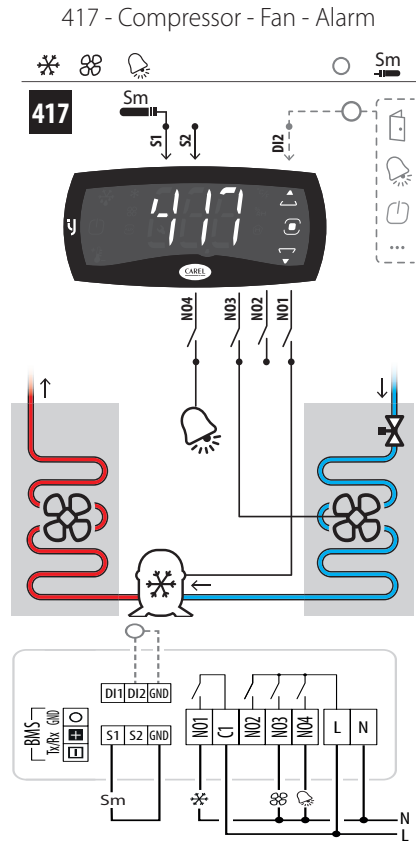


Fig. 12.v

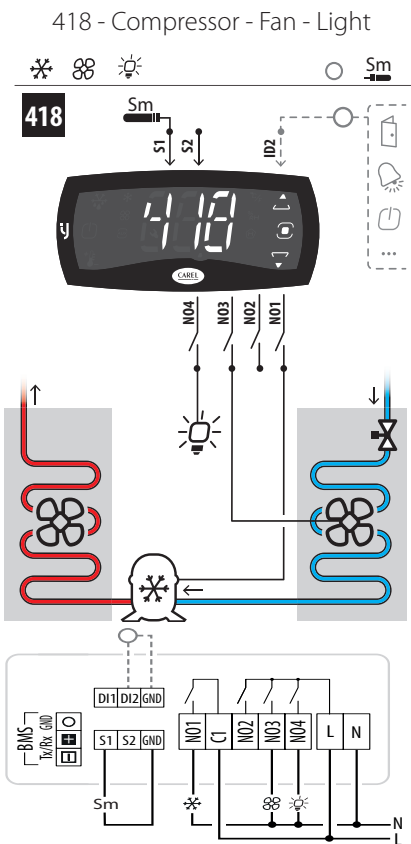


Fig. 12.w

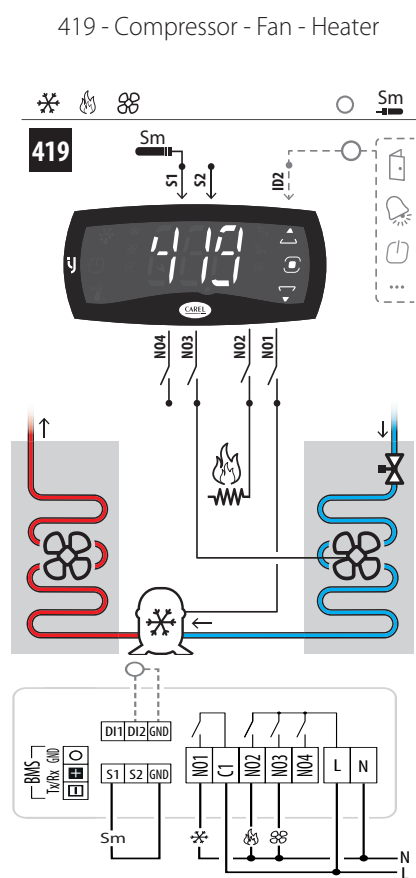


Fig. 12.x

420 - Compressor - Defrost - Fan - Light

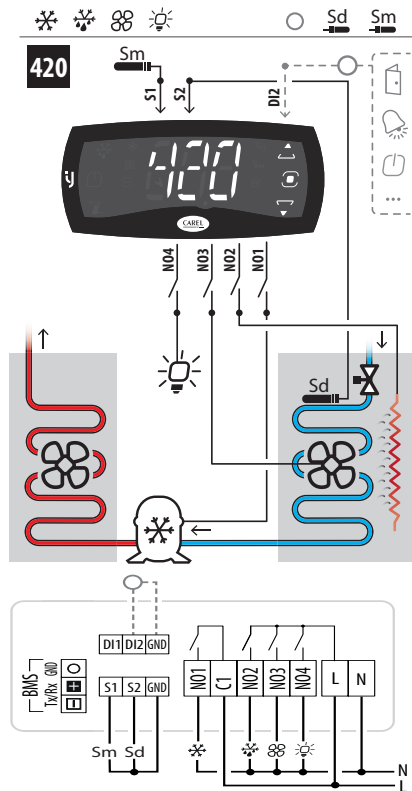


Fig. 12.y

421 - Compressor - Defrost - Fan - Alarm

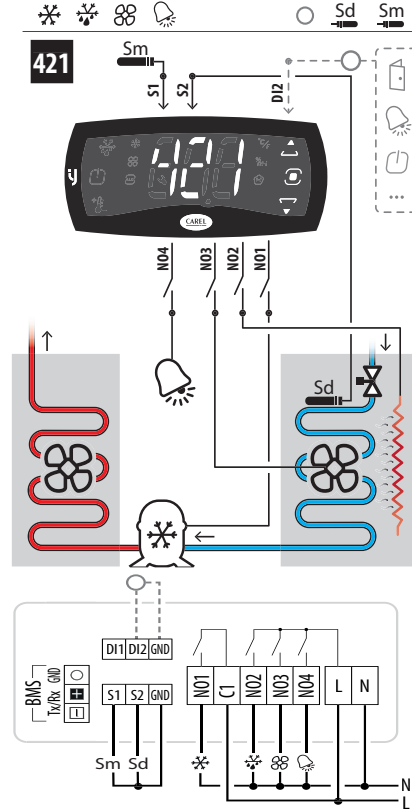


Fig. 12.z

422 - Compressor - Fan - Light - Alarm

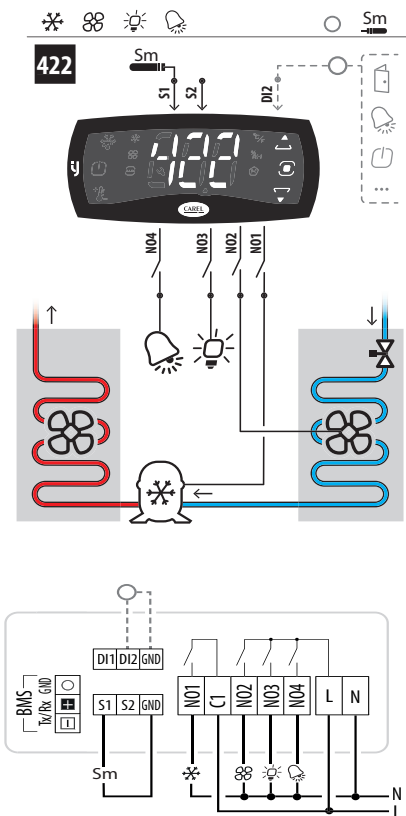


Fig. 12.aa

423 - Compressor - Fan - Heater - Alarm

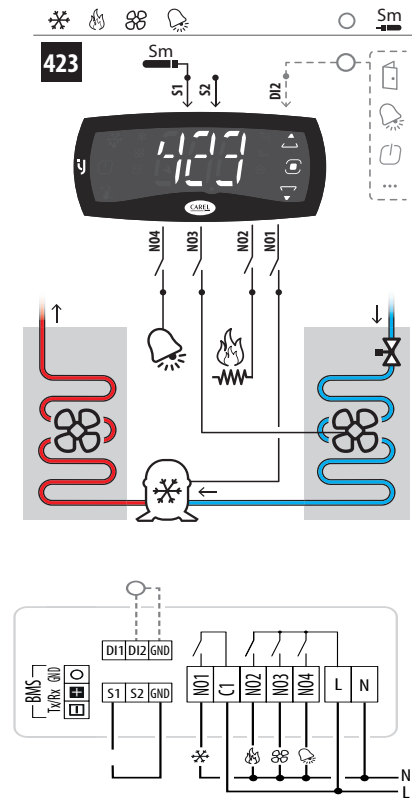


Fig. 12.ab

424 - Compressor - Fan - Humidifier

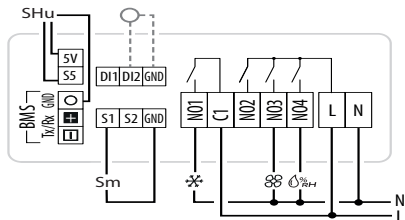
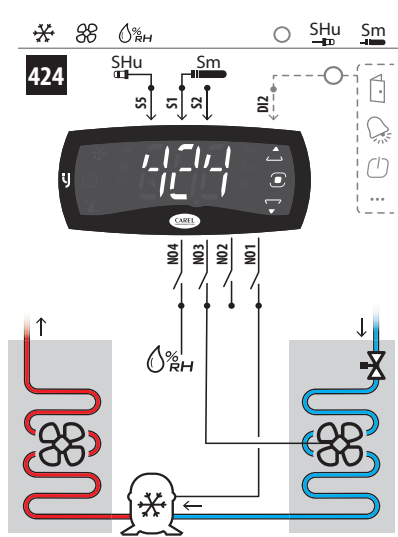


Fig. 12.ac

425 - Compressor - Heater - Fan - Humidifier

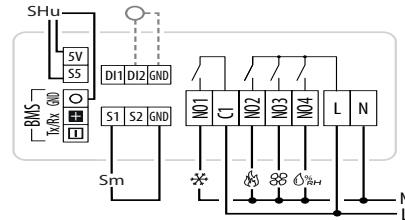
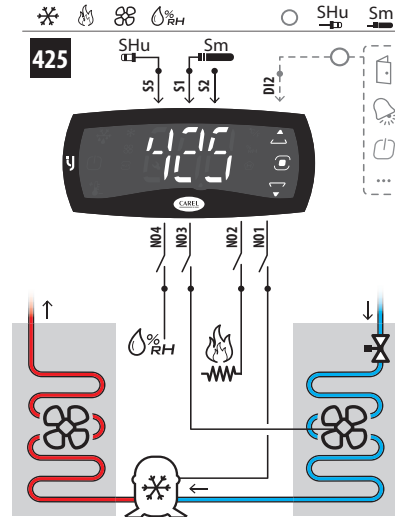


Fig. 12.ad

426 - Compressor - Fan - Humidifier - Alarm

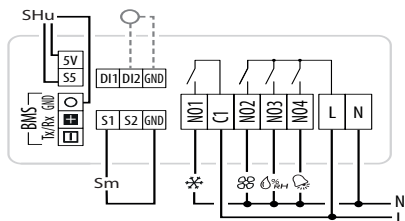
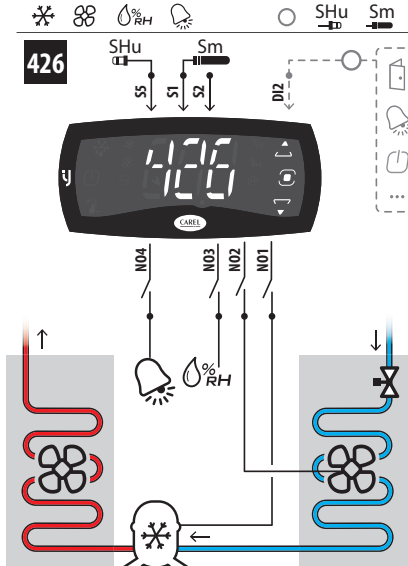


Fig. 12.ae

430 - Compressor - Defrost - Fan - Light - Virtual probe

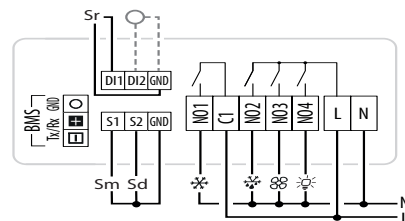
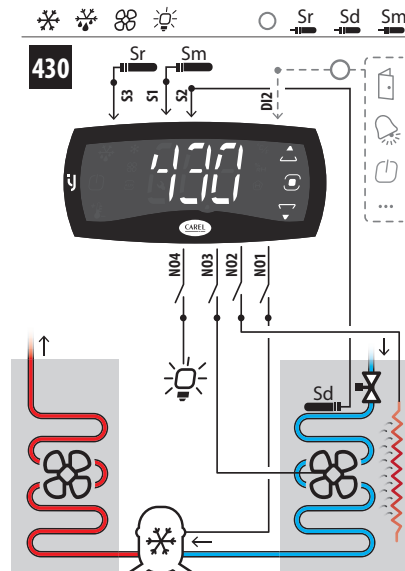


Fig. 12.af

431 - Compressor - Defrost - Fan - Humidifier

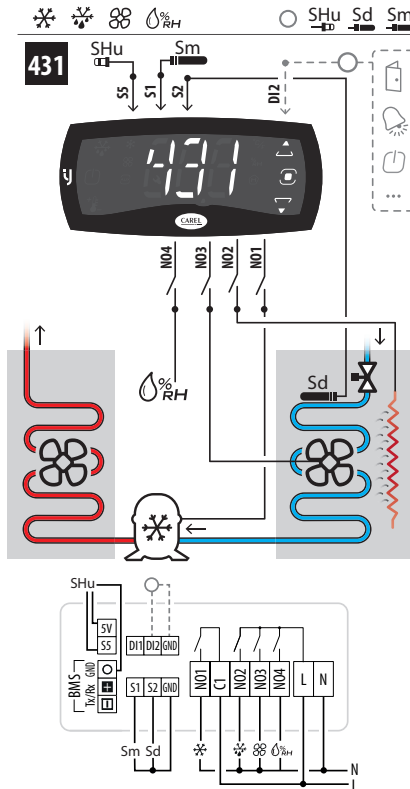


Fig. 12.ag

Parameters list of configurations with 4 relays

When choosing a configuration, the parameters shown in the table are automatically set.

Par.	Description	Configuration																					
		403	404	405	406	407	408	409	411	416	417	418	419	420	421	422	423	424	425	426	430	431	
/FA	Assign outlet temperature probe Sm	1	1	1	1	1	1	1	1	1	1	1	1	1	1	1	1	1	1	1	1	1	
/Fb	Assign defrost temperature probe Sd	0	2	0	0	0	0	0	0	2	0	0	0	2	2	0	0	0	0	0	0	2	2
/Fc	Assign intake temperature probe Sr	0	0	0	0	0	0	0	0	0	0	0	0	0	0	0	0	0	0	0	0	3	0
/FP	Assign humidity probe	0	0	0	0	0	0	0	5	0	0	0	0	0	0	0	0	5	5	5	0	5	
DOA	Assign solenoid/compressor digital output	1	1	1	1	1	0	0	1	1	1	1	1	1	1	1	1	1	1	1	1	1	1
DOb	Assign alarm digital output	0	0	4	0	0	0	4	0	0	4	0	0	0	4	4	4	0	0	0	0	0	0
DOE	Assign light digital output	0	0	0	4	0	0	0	0	0	4	0	4	0	4	3	0	0	0	0	0	4	0
DOG	Assign defrost digital output	0	2	0	2	0	0	0	0	2	0	0	0	2	2	0	0	0	0	0	2	2	2
DOI	Assign evaporator fan digital output	3	0	0	0	0	3	0	0	3	3	3	3	3	3	2	3	3	3	2	3	3	3
DOu	Assign humidification digital output	0	0	0	0	0	0	0	4	0	0	0	0	0	0	0	0	4	4	3	0	4	
DOv	Assign reverse digital output with dead band control	0	0	0	0	2	2	2	0	0	0	0	2	0	0	0	2	0	2	0	0	0	0
GF2	Custom function associated with the DOWN arrow	0	0	0	1	0	0	0	0	0	0	1	0	1	0	1	0	0	0	0	1	0	
/P2	Configuration of multifunction input S3/DI	5	5	5	5	5	5	5	5	5	5	5	5	5	5	5	5	5	5	5	3	5	

Tab. 12.c

12.5.3 Configurations with 6 relays

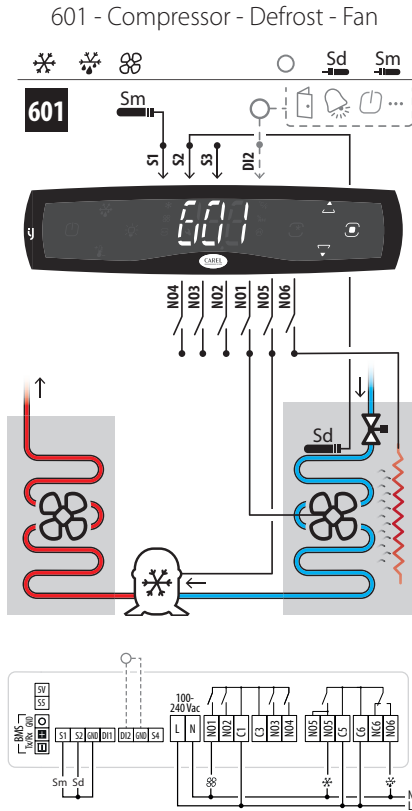


Fig. 12.ah

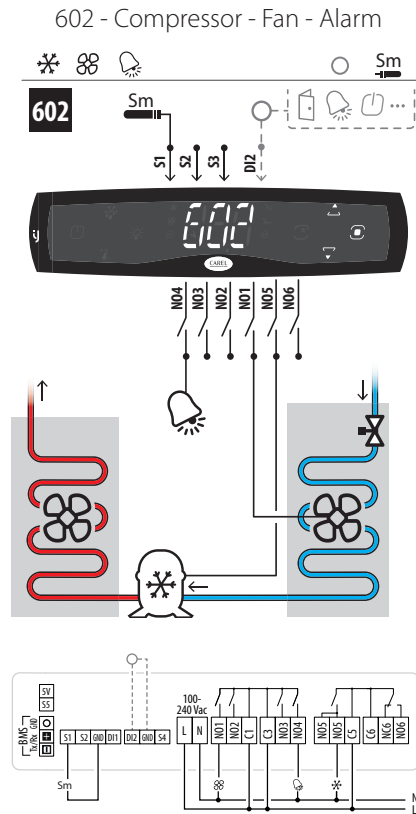


Fig. 12.ai

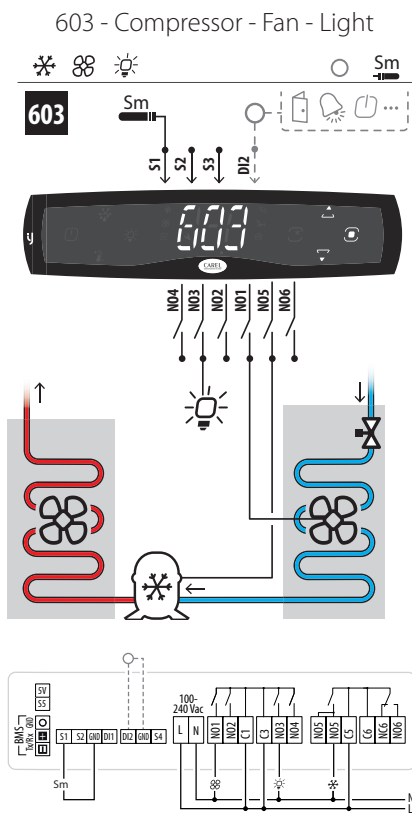


Fig. 12.aj

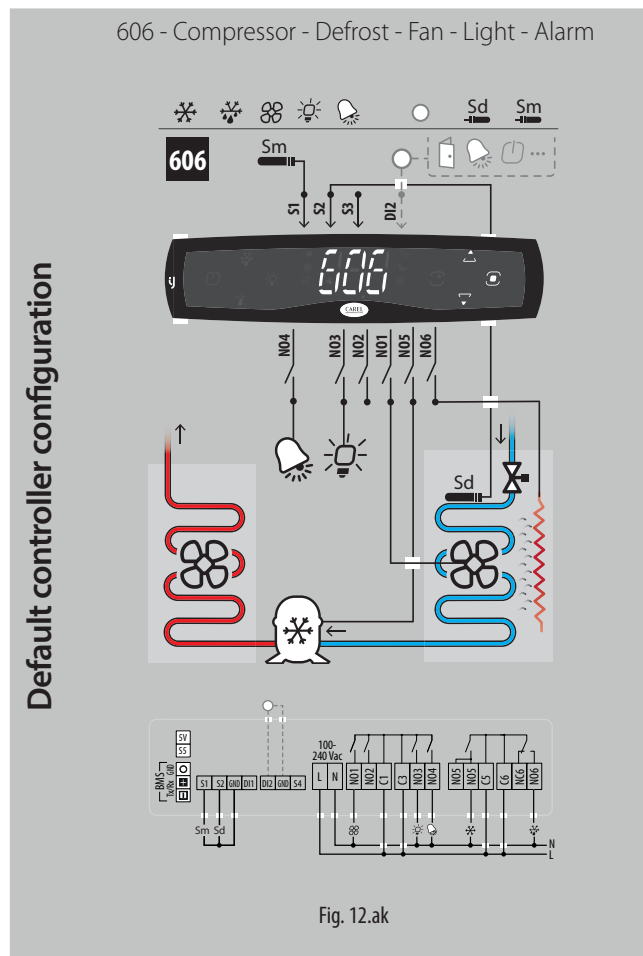


Fig. 12.ak

607 - Compressor - Fan - Light - Alarm

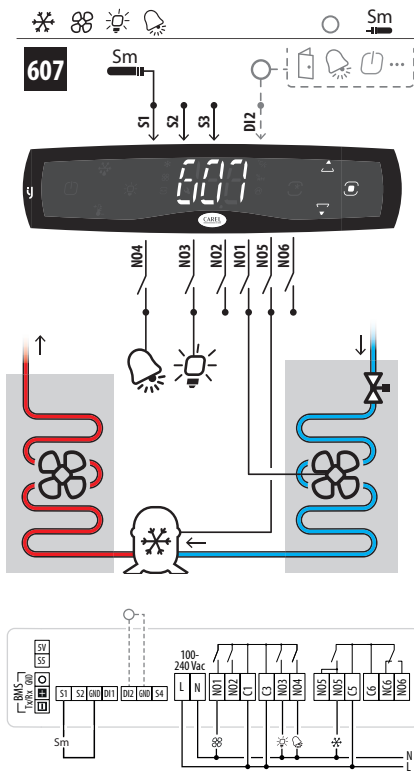


Fig. 12.al

608 - Compressor - Heater - Fan - Alarm

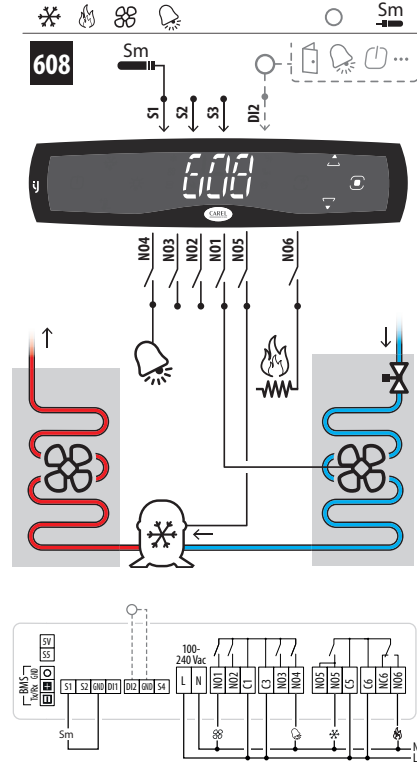


Fig. 12.am

609 - Compressor - Defrost - Fan - Condenser fan - Light

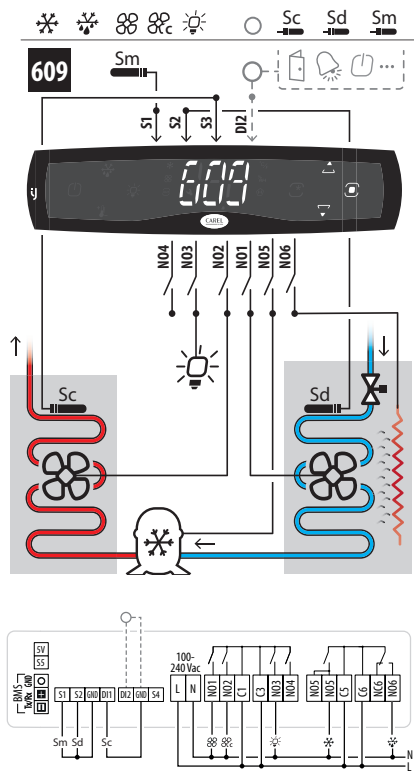


Fig. 12.an

610 - Compressor 1 - Compressor 2 - Defrost - Fan - Light - Alarm

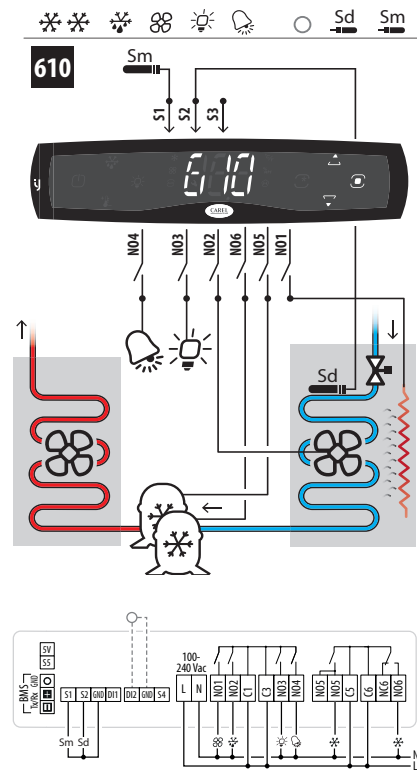


Fig. 12.a0

611 - Compressor - Defrost - Fan - Condenser fan - Light - Alarm

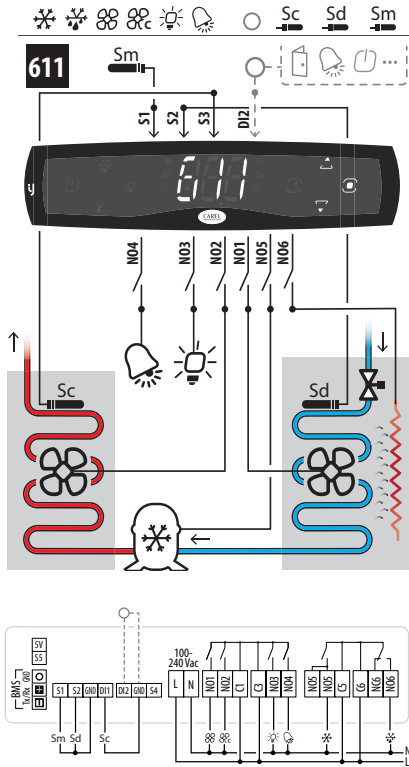


Fig. 12.ap

612 - Compressor - Fan - Humidifier

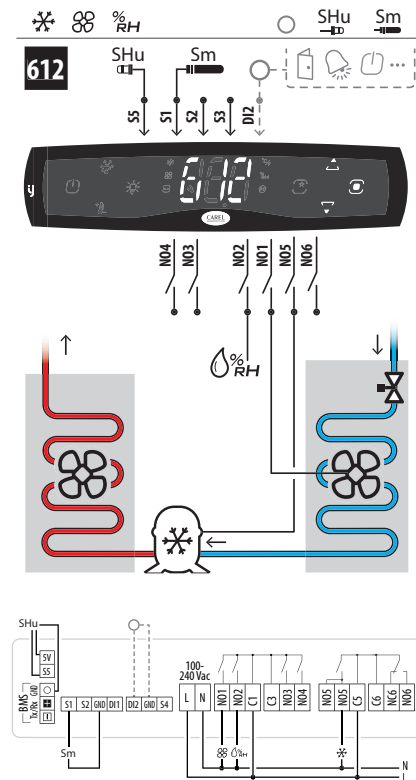


Fig. 12.aq

613 - Compressor - Heater - Fan - Humidifier

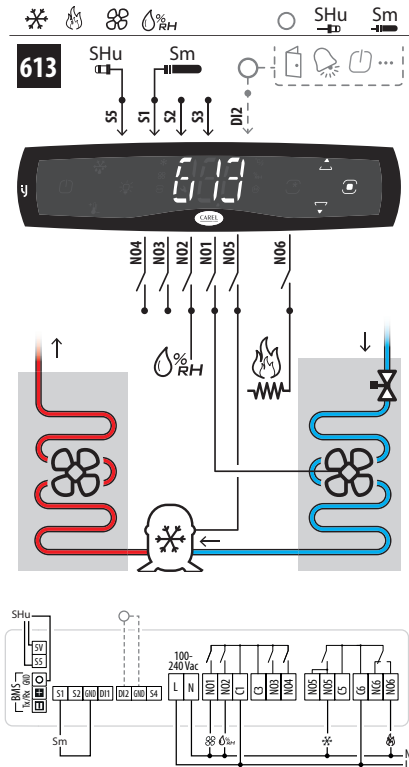


Fig. 12.ar

614 - Compressor - Fan - Humidifier - Alarm

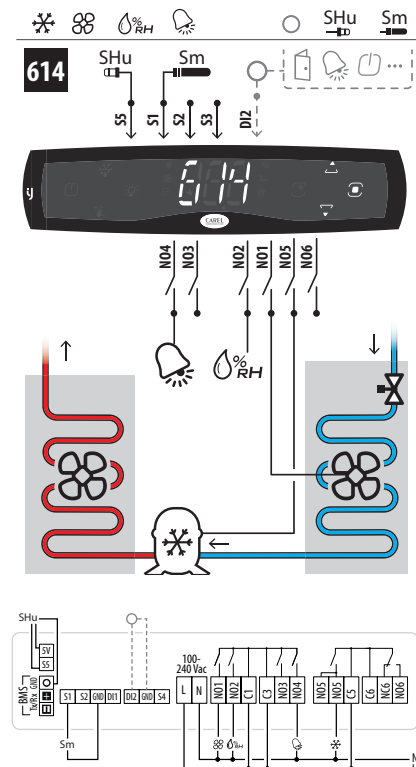


Fig. 12.as

615 - Compressor - Defrost - Humidifier fan - Light - Alarm

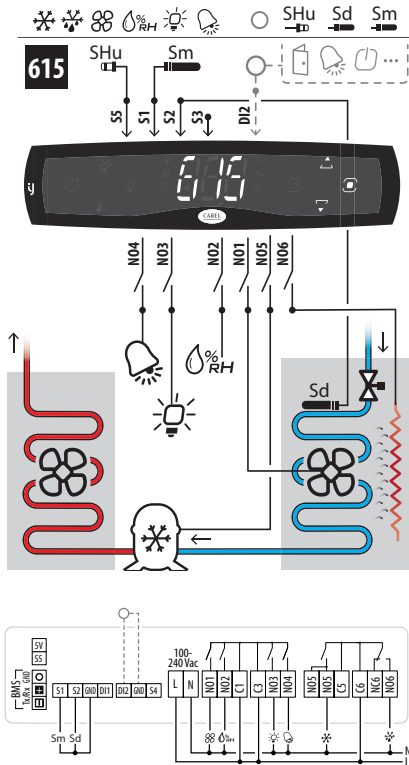


Fig. 12.at

619 - Compressor - Defrost - Fan - Light - Alarm - Virtual probe

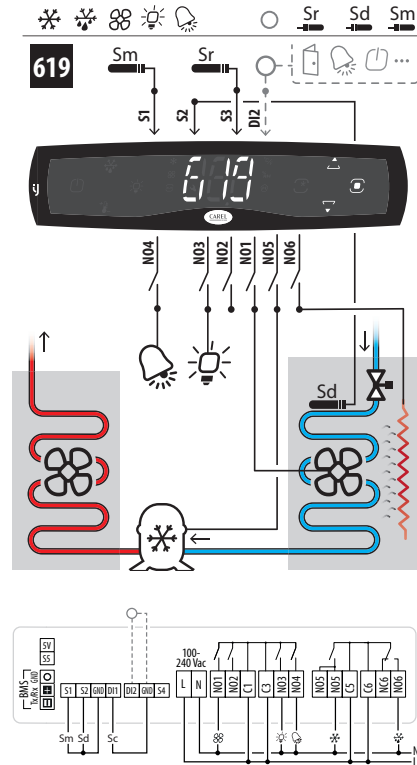


Fig. 12.au

620 - Heater - Fan - Light - Alarm

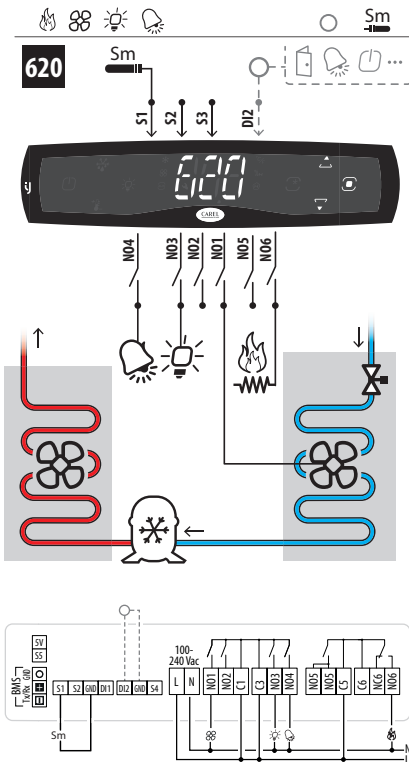


Fig. 12.av

Parameters list of configurations with 6 relays

When choosing a configuration, the parameters shown in the table are automatically set.

Par.	Description	Configuration															
		601	602	603	606	607	608	609	610	611	612	613	614	615	619	620	
/FA	Assign outlet temperature probe Sm	1	1	1	1	1	1	1	1	1	1	1	1	1	1	1	
/Fb	Assign defrost temperature probe Sd	2	0	0	2	0	0	2	2	2	0	0	0	2	2	0	
/Fc	Assign intake temperature probe Sr	0	0	0	0	0	0	0	0	0	0	0	0	0	3	0	
/Fo	Assign condensing temperature probe	0	0	0	0	0	0	3	0	3	0	0	0	0	0	0	
/FP	Assign humidity probe	0	0	0	0	0	0	0	0	0	5	5	5	5	0	0	
DOA	Assign solenoid/compressor digital output	5	5	5	5	5	5	5	5	5	5	5	5	5	5	0	
DOb	Assign alarm digital output	0	4	0	4	4	4	0	4	4	0	0	4	4	4	4	
DOE	Assign light digital output	0	0	3	3	3	0	3	3	3	0	0	0	3	3	3	
DOG	Assign defrost digital output	6	0	0	6	0	0	6	1	6	0	0	0	6	6	0	
DOI	Assign evaporator fan digital output	1	1	1	1	1	1	1	2	1	1	1	1	1	1	1	
DOt	Assign condenser fan digital output	0	0	0	0	0	0	2	0	2	0	0	0	0	0	0	
DOu	Assign humidification digital output	0	0	0	0	0	0	0	0	0	2	2	2	2	0	0	
DOv	Assign reverse digital output with dead band control	0	0	0	0	0	6	0	0	0	0	6	0	0	0	6	
DOw	Assign auxiliary parallel compressor digital output	0	0	0	0	0	0	0	6	0	0	0	0	0	0	0	
GF2	Custom function associated with the DOWN arrow	0	0	1	1	1	0	1	1	1	0	0	0	1	1	1	
/P2	Configuration of multifunction input S3/ DI	5	5	5	5	5	5	3	5	3	5	5	5	5	3	5	

Tab. 12.d

13. RELEASE NOTES

The software version is shown for a few seconds when the controllers with user interface are switched on (first two digits only), via the BMS variable or Applica app.

The correspondence between the software version and the manual version is shown below.

Software version	Manual version	Description
1.0.0	1.0 23/08/2018	First release

CAREL

CAREL INDUSTRIES - Headquarters

Via dell'Industria, 11 - 35020 Brugine - Padova (Italy)
Tel. (+39) 049.9716611 - Fax (+39) 049.9716600
e-mail: carel@carel.com - www.carel.com

iJW +0300103EN rel. 1.0 - 14.09.2022