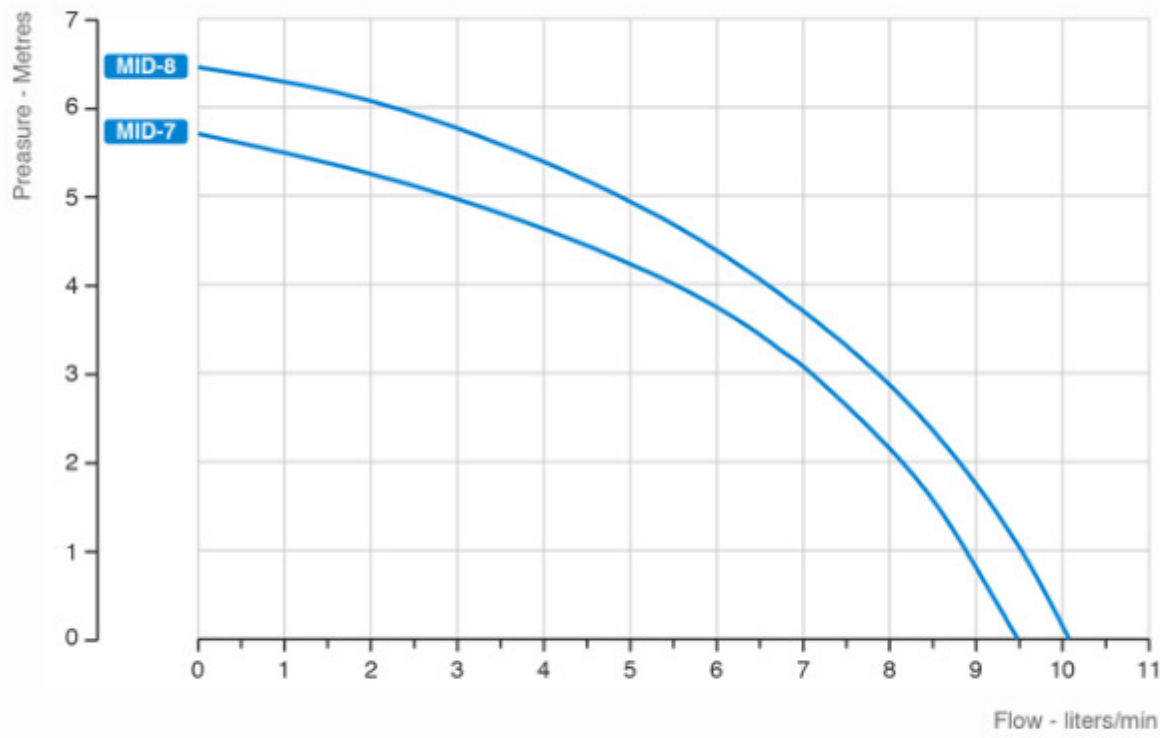


MID agitator-pump series with its small size, is an **economic pump** that can be installed in small or medium refrigerators where **compact dimensions** are required.

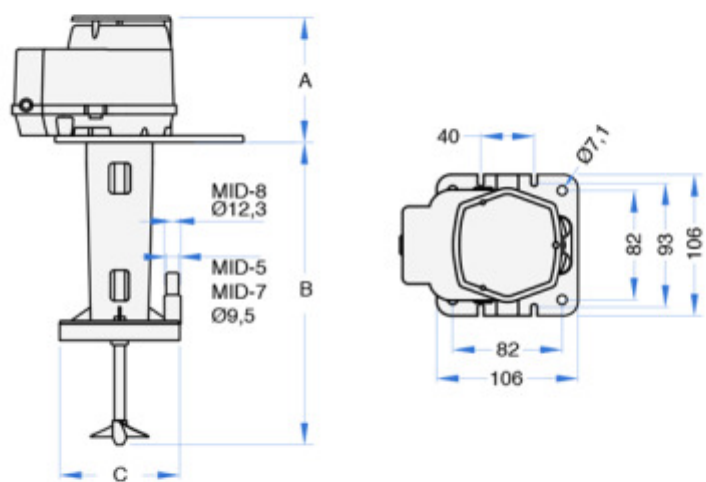
[>> Request Technical](#)



FIXING PLATES [mm]:



TYPE	Volt	Hz	Amp	Watt	Rpm	A	B
MID-7	230	50	0,60	64	2750	96	185

[106x106](#)
[140x110](#)
[178x126](#)


C	Propeller Ø (mm)	Weight
78	50 2 Blades 15°	1,80