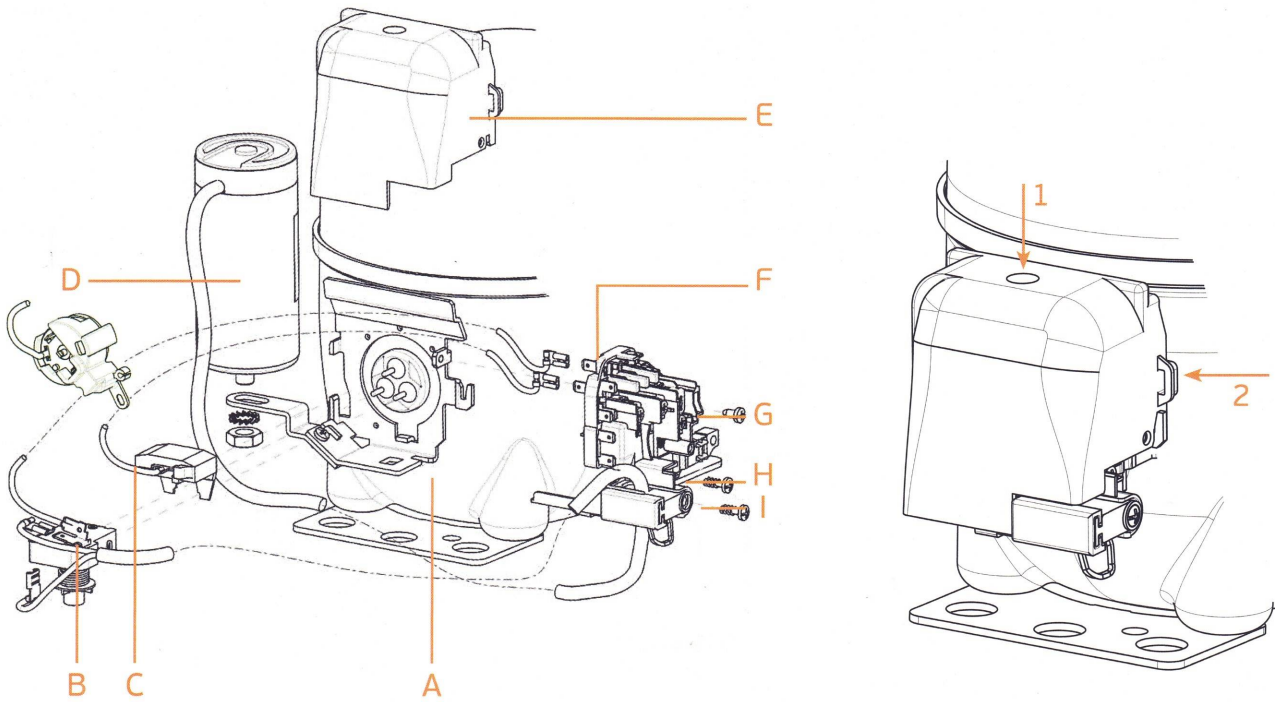


WIRING DIAGRAM

SM05

NE series CSIR



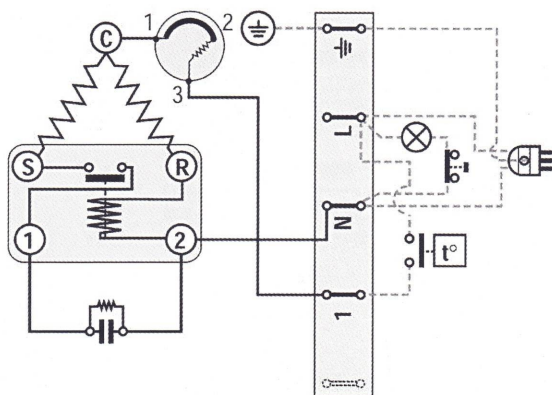
Legend

Description	Description
A Compressor	F Cord Anchorage & Ground
B Integrated PTC Start Device	G M 3,5 x 7 Ground Screw
C ¾" or 4TM Overload Protector	H M 4x11 Self-Tapping Screw for Line Cable Cord Anchorage
D Starting capacitor	I M 4x21 Self-Tapping Screw for Service Cable Cord Anchorage
E Terminal Cover	

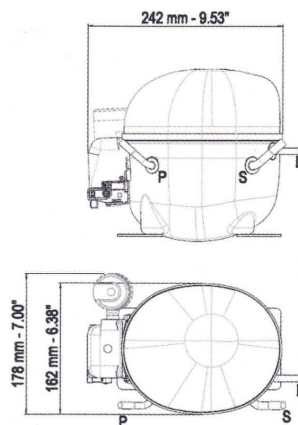
Cover Positioning and Locking

Press strongly on the upper part of the cover as indicated by the arrow 1, until the locking is complete

The cover can be removed with a screwdriver pressing point as shown by arrow 2



Note: After replacement, the compressor and it's accessories must be handled and recycled according to the material group directives (ferrous, non-ferrous, polymers, oils, ...). These recommendations are intended to minimize the adverse impacts that may be caused to the environment.



DWG02	Ø mm	Ø in	material
S - Suction	6.10 - 6.20	0.24	Cu
P - Process	6.10 - 6.20	0.24	Cu
S - Discharge	4.86 - 5.02	3/16	Cu

DWG03	Ø mm	Ø in	material
S - Suction	8.10 - 8.20	0.32	Cu
P - Process	6.10 - 6.20	0.24	Cu
S - Discharge	6.10 - 6.20	0.24	Cu

