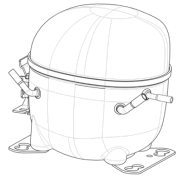


200-240V 50Hz / 230V 60Hz 1~

**GENERAL DATA****Application:** HBP**Refrigerant:** R134a**Evaporating Temperature Range:** -15°C to 10°C**Compressor Cooling:** Fan**Fan air flow:** 520 m<sup>3</sup>/h**Maximum Condensing Pressure - Operating:** 13.92 bar**Maximum Condensing Pressure - Peak:** 15.62 bar**Type:** Hermetic reciprocating**Technology Type:** On-Off**Expansion Device:** Capillary Tube or Expansion Valve**Packing Quantity:** Multi - 74 pcs**Displacement:** 9.99 cm<sup>3</sup>**Horse power:** 1/3 hpApprovals:   **MECHANICAL DATA****Bore:** 26.5 mm**Stroke:** 18.12 mm**Oil Charge:** 350ml +/-15ml**Free Internal Volume:** 2.1 cm<sup>3</sup>**Maximum Recommended Refrigerant Charge:** 350 ml**Oil Type Configuration:** Polyolester**Oil Type Viscosity:** ISO22**Compressor pressurization:** Dry air charge**Weight:** 10.4 kg**ELECTRICAL DATA****Motor Type:** CSIR**Starting Torque:** HST**Voltage working range at 50 Hz:** 180-254 V**Voltage working range at 60 Hz:** 207-253 V**Maximum Motor Temperature:** 130 °C**Start Winding Resistance:** 29.57 Ω (± 10%) at 25°C**Run Winding Resistance:** 7.96 Ω (± 10%) at 25°C**Locked Rotor Amperage (RLA):** 13 A**MOUNTING ACCESSORIES**

	Description	Code
<b>Anchorage:</b>	no	-
<b>Capacitor Bracket:</b>	no	-
<b>Rotolock valve:</b>	no	-
<b>Sleeves:</b>	no	-
<b>Cover:</b>	yes	2075282
<b>Grommets:</b>	yes	2221011
<b>Terminal Board:</b>	yes	1027060
<b>Overload Protector Bracket:</b>	yes	2075299
<b>Washer:</b>	yes	2211047
<b>Pin:</b>	yes	2037140
<b>Clip:</b>	yes	2220020

**ELECTRICAL COMPONENTS**

	Component type	Description	Code
<b>Start Capacitor:</b>		43-53 MFD 330V	2252347
<b>Starting Device:</b>	Current relay	MTRP-41-65	2334121
<b>Motor Protection:</b>	External 3/4"	T1026/G6	2319154

**EXTERNAL CHARACTERISTICS****Base Plate:** European**Tray Holder:** Yes**Height:** 188 mm

	Internal Diameter (mm)	Material	Shape
<b>Suction Connector</b>	8.1	Copper	Slanted 42°
<b>Discharge Connector</b>	6.1	Copper	Straight
<b>Process Connector</b>	6.1	Copper	Slanted 42°



**RATED POINT DATA**

Cooling Capacity (W)	Power Consumption (W)	Current Consumption (A)	Gas Flow Rate (kg/h)	Efficiency (w/W)
±5%	±5%	±5%	±5%	±7%
270	378	2.20	21.47	0.71

Test condition: EN 12900, Fan, Return Gas 20°C, Subcooling 0K, Evaporating: 5°C, Condensing: 50°C, Ambient: 35°C

**PERFORMANCE CURVE DATA****200V 50Hz**

Condensing Temperature (°C)	Evaporating Temperature (°C)	Cooling Capacity (W)	Power Consumption (W)	Current Consumption (A)	Gas Flow Rate (kg/h)	Efficiency (w/W)
		±5%	±5%	±5%	±5%	±7%
<b>35°C</b>	10	1 339	345	2.08	27.43	3.89
	5	1 112	320	1.99	22.62	3.47
	0	911	296	1.91	18.42	3.08
	-5	737	273	1.84	14.82	2.70
	-10	589	250	1.78	11.79	2.35
	-15	467	228	1.72	9.32	2.05

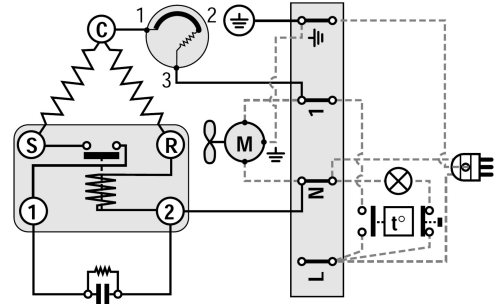
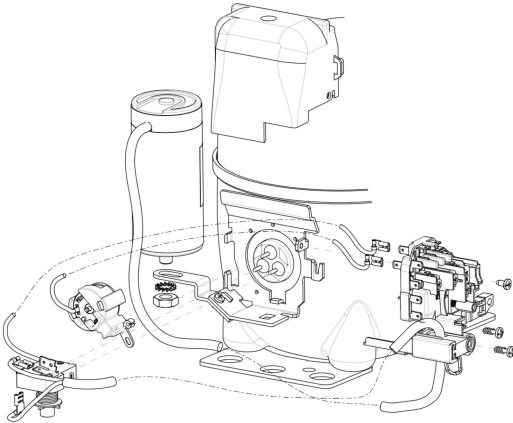
Condensing Temperature (°C)	Evaporating Temperature (°C)	Cooling Capacity (W)	Power Consumption (W)	Current Consumption (A)	Gas Flow Rate (kg/h)	Efficiency (w/W)
		±5%	±5%	±5%	±5%	±7%
<b>45°C</b>	10	1 189	387	2.24	26.61	3.07
	5	986	358	2.13	21.90	2.75
	0	806	329	2.03	17.79	2.45
	-5	650	301	1.94	14.26	2.16
	-10	517	273	1.85	11.29	1.89
	-15	407	245	1.76	8.85	1.66

Condensing Temperature (°C)	Evaporating Temperature (°C)	Cooling Capacity (W)	Power Consumption (W)	Current Consumption (A)	Gas Flow Rate (kg/h)	Efficiency (w/W)
		±5%	±5%	±5%	±5%	±7%
<b>55°C</b>	10	1 032	434	2.41	25.58	2.38
	5	855	398	2.27	20.99	2.15
	0	697	363	2.14	16.99	1.92
	-5	559	327	2.02	13.55	1.71
	-10	442	292	1.90	10.65	1.51

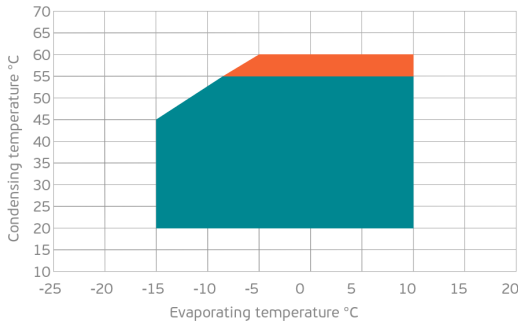
Test condition: EN 12900, Fan, Return Gas 20°C, Subcooling 0K, Evaporating: 5°C, Condensing: 50°C, Ambient: 35°C

**ASSEMBLY INSTRUCTION**

**WIRING DIAGRAM**

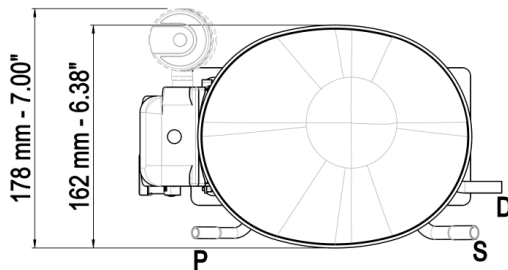
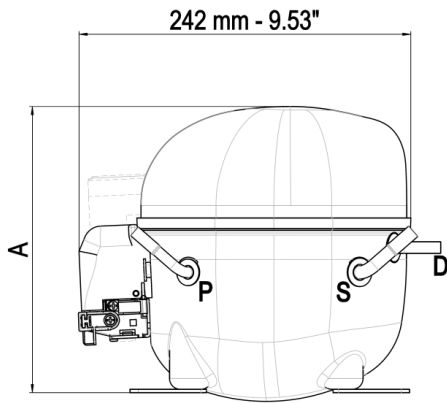


**OPERATING ENVELOPE**



- Operating Condition
- Transient Condition
- Superheating

**NOTE:** usage of compressors outside of intended working range cannot make use of the warranty, or should be consulted with Technical support.



DWG02	∅ mm	∅ in	material
S - Suction	6.10 - 6.20	0.24	Cu
P - Process	6.10 - 6.20	0.24	Cu
S - Discharge	4.86 - 5.02	3/16	Cu

DWG03	∅ mm	∅ in	material
S - Suction	8.10 - 8.20	0.32	Cu
P - Process	6.10 - 6.20	0.24	Cu
S - Discharge	6.10 - 6.20	0.24	Cu

