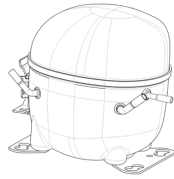


220-240V 50Hz 1~



### GENERAL DATA

**Application:** MBP  
**Refrigerant:** R404A  
**Evaporating Temperature Range:** -20°C to 10°C  
**Compressor Cooling:** Fan  
**Fan air flow:** 520 m<sup>3</sup>/h  
**Maximum Condensing Pressure - Operating:** 24.71 bar  
**Maximum Condensing Pressure - Peak:** 27.71 bar  
**Type:** Hermetic reciprocating  
**Technology Type:** On-Off  
**Expansion Device:** Capillary Tube or Expansion Valve  
**Packing Quantity:** Single - 1 pc  
**Displacement:** 7.28 cm<sup>3</sup>  
**Horse power:** 1.3 hp

Approvals:    

### MECHANICAL DATA

**Bore:** 26.5 mm  
**Stroke:** 13.2 mm  
**Oil Charge:** 350ml +/-15ml  
**Free Internal Volume:** 2.1 cm<sup>3</sup>  
**Maximum Recommended Refrigerant Charge:** 350 g  
**Oil Type Configuration:** Polyolester  
**Oil Type Viscosity:** ISO22  
**Compressor pressurization:** Dry air charge  
**Weight:** 10.8 kg

### ELECTRICAL DATA

**Motor Type:** CSIR  
**Starting Torque:** HST  
**Voltage working range at 50 Hz:** 198-254 V  
**Maximum Motor Temperature:** 130 °C  
**Start Winding Resistance:** 28.84 Ω (± 10%) at 25°C  
**Run Winding Resistance:** 6.67 Ω (± 10%) at 25°C  
**Locked Rotor Amperage (RLA):** 16 A

### MOUNTING ACCESSORIES

	Description	Code
<b>Anchorage:</b>	no	-
<b>Capacitor Bracket:</b>	no	-
<b>Washer:</b>	no	-
<b>Pin:</b>	no	-
<b>Clip:</b>	no	-
<b>Rotolock valve:</b>	no	-
<b>Cover:</b>	yes	2075282
<b>Grommets:</b>	yes	2221011
<b>Sleeves:</b>	yes	2222018
<b>Terminal Board:</b>	yes	1027060
<b>Overload Protector Bracket:</b>	yes	2075299

### ELECTRICAL COMPONENTS

	Component type	Description	Code
<b>Start Capacitor:</b>		53-64 MFD 330V	2252346
<b>Motor Protection:</b>	External 3/4"	T1026/G6	2319154
<b>Starting Device:</b>	Current relay	MTRP-0029-65	2334105

### EXTERNAL CHARACTERISTICS

**Base Plate:** European  
**Tray Holder:** No  
**Height:** 200 mm

	Internal Diameter (mm)	Material	Shape
<b>Suction Connector</b>	8.1	Copper	Slanted 42°
<b>Discharge Connector</b>	6.1	Copper	Straight

**RATED POINT DATA**

Cooling Capacity (W)	Power Consumption (W)	Current Consumption (A)	Gas Flow Rate (kg/h)	Efficiency (W/W)
±5%	±5%	±5%	±5%	±7%
645	366	2.36	17.72	1.76

Test condition: EN 12900, Fan, Return Gas 20°C, Subcooling 0K, Evaporating: -10°C, Condensing: 45°C, Ambient: 35°C

**PERFORMANCE CURVE DATA**

**220V 50Hz**

Condensing Temperature (°C)	Evaporating Temperature (°C)	Cooling Capacity (W)	Power Consumption (W)	Current Consumption (A)	Gas Flow Rate (kg/h)	Efficiency (W/W)
		±5%	±5%	±5%	±5%	±7%

**35°C**

10	1 584	407	2.52	40.34	3.89
5	1 348	392	2.46	33.87	3.43
0	1 133	376	2.40	28.14	3.02
-5	940	357	2.34	23.12	2.63
-10	769	336	2.27	18.75	2.29
-15	618	313	2.21	14.97	1.98
-20	489	288	2.14	11.75	1.70

Condensing Temperature (°C)	Evaporating Temperature (°C)	Cooling Capacity (W)	Power Consumption (W)	Current Consumption (A)	Gas Flow Rate (kg/h)	Efficiency (W/W)
		±5%	±5%	±5%	±5%	±7%

**45°C**

10	1 341	471	2.76	38.75	2.85
5	1 139	448	2.65	32.40	2.55
0	956	422	2.55	26.81	2.26
-5	791	395	2.45	21.94	2.00
-10	645	366	2.36	17.72	1.76
-15	517	336	2.27	14.11	1.54
-20	408	305	2.19	11.07	1.34

Condensing Temperature (°C)	Evaporating Temperature (°C)	Cooling Capacity (W)	Power Consumption (W)	Current Consumption (A)	Gas Flow Rate (kg/h)	Efficiency (W/W)
		±5%	±5%	±5%	±5%	±7%

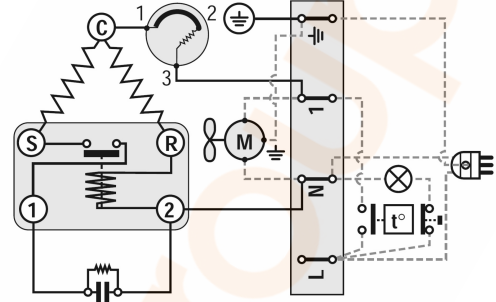
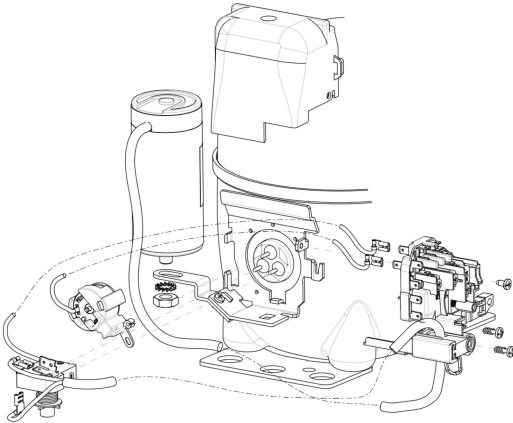
**55°C**

10	1 103	532	3.01	37.33	2.07
5	934	499	2.86	31.05	1.87
0	780	465	2.71	25.54	1.68
-5	643	430	2.58	20.74	1.49
-10	521	394	2.45	16.62	1.32

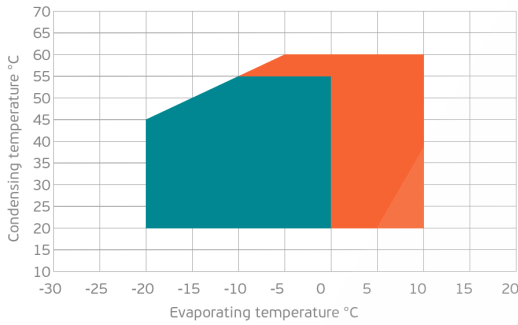
Test condition: EN 12900, Fan, Return Gas 20°C, Subcooling 0K, Evaporating: -10°C, Condensing: 45°C, Ambient: 35°C

**ASSEMBLY INSTRUCTION**

**WIRING DIAGRAM**



**OPERATING ENVELOPE**



- Operating Condition
- Transient Condition
- Superheating

**NOTE:** usage of compressors outside of intended working range cannot make use of the warranty, or should be consulted with Technical support.

