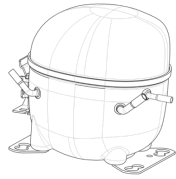


220-240V 50Hz 1~**GENERAL DATA****Application:** HBP**Refrigerant:** R134a**Evaporating Temperature Range:** -15°C to 10°C**Compressor Cooling:** Fan**Fan air flow:** 520 m3/h**Maximum Condensing Pressure - Operating:** 13.92 bar**Maximum Condensing Pressure - Peak:** 15.62 bar**Type:** Hermetic reciprocating**Technology Type:** On-Off**Expansion Device:** Capillary Tube or Expansion Valve**Packing Quantity:** Multi - 28 pcs**Displacement:** 12.11 cm3**Horse power:** 1/2 hpApprovals:   **MECHANICAL DATA****Bore:** 27.78 mm**Stroke:** 20 mm**Oil Charge:** 350ml +/-15ml**Free Internal Volume:** 2.1 cm3**Maximum Recommended Refrigerant Charge:** 350 ml**Oil Type Configuration:** Polyolester**Oil Type Viscosity:** ISO22**Compressor pressurization:** Dry air charge**Weight:** 11.4 kg**ELECTRICAL DATA****Motor Type:** CSR**Starting Torque:** HST**Voltage working range at 50 Hz:** 198-254 V**Maximum Motor Temperature:** 130 °C**Start Winding Resistance:** 27.5 Ω (± 10%) at 25°C**Run Winding Resistance:** 5.26 Ω (± 10%) at 25°C**Locked Rotor Amperage (RLA):** 19 A**MOUNTING ACCESSORIES**

	Description	Code
Terminal Board:	no	-
Anchorage:	no	-
Capacitor Bracket:	no	-
Washer:	no	-
Pin:	no	-
Clip:	no	-
Rotolock valve:	no	-
Grommets:	yes	2221011
Sleeves:	yes	2222018
Overload Protector Bracket:	yes	2075299
Cover:	yes	2075278

ELECTRICAL COMPONENTS

	Component type	Description	Code
Starting Device:	Potential relay	RVA4L3C-566	1253051
Motor Protection:	External 3/4"	T0874/G9	2321121
Start Capacitor:		64-77 MFD 330V	2252291
Run Capacitor:		5 MFD	2253325
CSR / CSIR Box:	yes		1272386

EXTERNAL CHARACTERISTICS**Base Plate:** European**Tray Holder:** No**Height:** 200 mm

	Internal Diameter (mm)	Material	Shape
Suction Connector	8.1	Copper	Slanted 42°
Discharge Connector	6.1	Copper	Straight
Process Connector	6.1	Copper	Slanted 42°



RATED POINT DATA

Cooling Capacity (W)	Power Consumption (W)	Current Consumption (A)	Gas Flow Rate (kg/h)	Efficiency (w/W)
±5%	±5%	±5%	±5%	±7%
326	448	2.41	25.90	0.73

Test condition: EN 12900, Fan, Return Gas 20°C, Subcooling 0K, Evaporating: 5°C, Condensing: 50°C, Ambient: 35°C

PERFORMANCE CURVE DATA**220V 50Hz**

Condensing Temperature (°C)	Evaporating Temperature (°C)	Cooling Capacity (W)	Power Consumption (W)	Current Consumption (A)	Gas Flow Rate (kg/h)	Efficiency (w/W)
		±5%	±5%	±5%	±5%	±7%
35°C	10	1 592	440	2.39	32.61	3.62
	5	1 326	398	2.25	26.97	3.33
	0	1 090	361	2.13	22.03	3.02
	-5	882	327	2.02	17.75	2.70
	-10	705	297	1.93	14.12	2.37
	-15	556	271	1.86	11.10	2.05

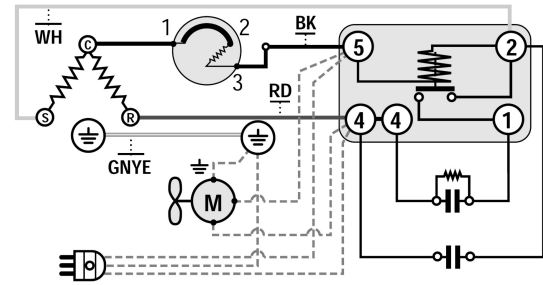
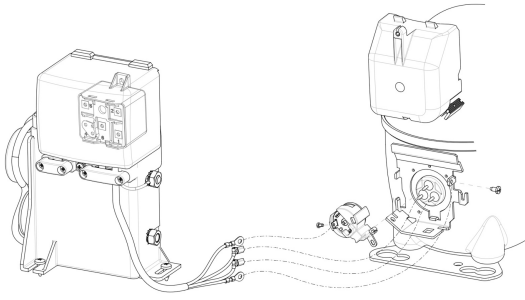
Condensing Temperature (°C)	Evaporating Temperature (°C)	Cooling Capacity (W)	Power Consumption (W)	Current Consumption (A)	Gas Flow Rate (kg/h)	Efficiency (w/W)
		±5%	±5%	±5%	±5%	±7%
45°C	10	1 431	473	2.52	32.04	3.02
	5	1 187	431	2.36	26.36	2.75
	0	970	391	2.22	21.39	2.48
	-5	780	355	2.10	17.11	2.20
	-10	618	321	2.00	13.49	1.93
	-15	483	290	1.91	10.51	1.67

Condensing Temperature (°C)	Evaporating Temperature (°C)	Cooling Capacity (W)	Power Consumption (W)	Current Consumption (A)	Gas Flow Rate (kg/h)	Efficiency (w/W)
		±5%	±5%	±5%	±5%	±7%
55°C	10	1 250	512	2.64	30.97	2.44
	5	1 032	466	2.46	25.36	2.21
	0	839	423	2.30	20.47	1.99
	-5	672	381	2.17	16.29	1.76
	-10	531	341	2.05	12.79	1.55

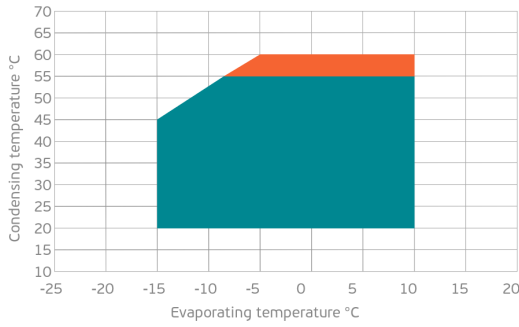
Test condition: EN 12900, Fan, Return Gas 20°C, Subcooling 0K, Evaporating: 5°C, Condensing: 50°C, Ambient: 35°C

ASSEMBLY INSTRUCTION

WIRING DIAGRAM

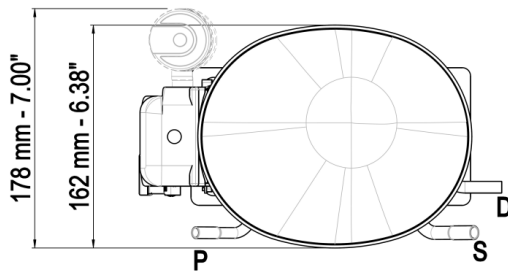
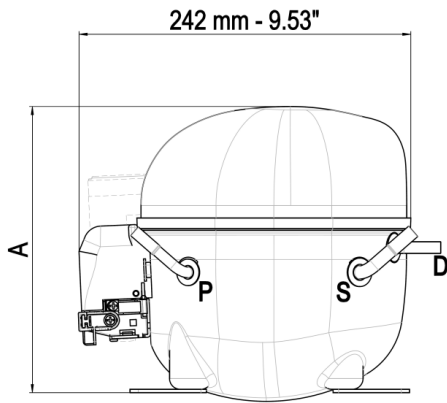


OPERATING ENVELOPE



- Operating Condition
- Transient Condition
- Superheating

NOTE: usage of compressors outside of intended working range cannot make use of the warranty, or should be consulted with Technical support.



DWG02	∅ mm	∅ in	material
S - Suction	6.10 - 6.20	0.24	Cu
P - Process	6.10 - 6.20	0.24	Cu
S - Discharge	4.86 - 5.02	3/16	Cu

DWG03	∅ mm	∅ in	material
S - Suction	8.10 - 8.20	0.32	Cu
P - Process	6.10 - 6.20	0.24	Cu
S - Discharge	6.10 - 6.20	0.24	Cu

