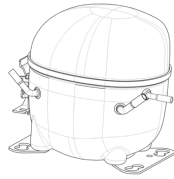


**220-240V 50Hz 1~****GENERAL DATA****Application:** MBP**Refrigerant:** R404A**Compressor Cooling:** Fan**Fan air flow:** 520 m3/h**Maximum Condensing Pressure - Operating:** 24.71 bar**Maximum Condensing Pressure - Peak:** 27.71 bar**Type:** Hermetic reciprocating**Technology Type:** On-Off**Expansion Device:** Capillary Tube or Expansion Valve**Packing Quantity:** Single - 1 pc**Displacement:** 8.77 cm3**Horse power:** 1/2 hpApprovals:   **MECHANICAL DATA****Bore:** 26.5 mm**Stroke:** 15.92 mm**Oil Charge:** 350ml +/-15ml**Free Internal Volume:** 2.1 cm3**Maximum Recommended Refrigerant Charge:** 350 ml**Oil Type Configuration:** Polyolester**Oil Type Viscosity:** ISO22**Compressor pressurization:** Dry air charge**Weight:** 10.9 kg**ELECTRICAL DATA****Motor Type:** CSIR**Starting Torque:** HST**Voltage working range at 50 Hz:** 198-254 V**Maximum Motor Temperature:** 130 °C**Start Winding Resistance:** 27.04 Ω (± 10%) at 25°C**Run Winding Resistance:** 4.87 Ω (± 10%) at 25°C**Locked Rotor Amperage (RLA):** 19 A**MOUNTING ACCESSORIES**

	Description	Code
<b>Anchorage:</b>	no	-
<b>Washer:</b>	no	-
<b>Pin:</b>	no	-
<b>Clip:</b>	no	-
<b>Rotolock valve:</b>	no	-
<b>Cover:</b>	yes	2075282
<b>Grommets:</b>	yes	2221011
<b>Sleeves:</b>	yes	2222018
<b>Terminal Board:</b>	yes	1027060
<b>Overload Protector Bracket:</b>	yes	2075299
<b>Capacitor Bracket:</b>	yes	2256008

**ELECTRICAL COMPONENTS**

	Component type	Description	Code
<b>Start Capacitor:</b>		53-64 MFD 330V	2252346
<b>Motor Protection:</b>	External 3/4"	T0964/G6	2319135
<b>Starting Device:</b>	Current relay	MTRPH-0055-65	2334148

**EXTERNAL CHARACTERISTICS****Base Plate:** European**Tray Holder:** No**Height:** 200 mm

	Internal Diameter (mm)	Material	Shape
<b>Suction Connector</b>	8.1	Copper	Slanted 42°
<b>Discharge Connector</b>	6.1	Copper	Straight
<b>Process Connector</b>	6.1	Copper	Slanted 42°



**RATED POINT DATA**

Cooling Capacity (W)	Power Consumption (W)	Current Consumption (A)	Gas Flow Rate (kg/h)	Efficiency (w/W)
±5%	±5%	±5%	±5%	±7%
233	453	3.12	21.80	0.51

**Test condition:** EN 12900, Fan, Return Gas 20°C, Subcooling OK, Evaporating: -10°C, Condensing: 45°C, Ambient: 35°C

**PERFORMANCE CURVE DATA**

**220V 50Hz**

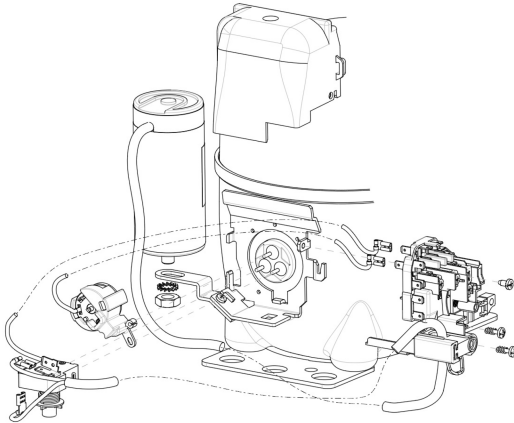
Condensing Temperature (°C)	Evaporating Temperature (°C)	Cooling Capacity (W)	Power Consumption (W)	Current Consumption (A)	Gas Flow Rate (kg/h)	Efficiency (w/W)
		±5%	±5%	±5%	±5%	±7%
<b>35°C</b>	10	1 887	521	3.35	48.09	3.62
	5	1 612	497	3.26	40.51	3.25
	0	1 362	471	3.17	33.82	2.89
	-5	1 138	445	3.09	27.96	2.56
	-10	938	417	3.02	22.86	2.25
	-15	762	389	2.94	18.46	1.96
	-20	612	359	2.88	14.71	1.70

Condensing Temperature (°C)	Evaporating Temperature (°C)	Cooling Capacity (W)	Power Consumption (W)	Current Consumption (A)	Gas Flow Rate (kg/h)	Efficiency (w/W)
		±5%	±5%	±5%	±5%	±7%
<b>45°C</b>	10	1 632	590	3.63	47.17	2.76
	5	1 390	557	3.49	39.54	2.49
	0	1 169	523	3.36	32.81	2.24
	-5	971	488	3.24	26.92	1.99
	-10	794	453	3.12	21.80	1.75
	-15	638	417	3.01	17.41	1.53
	-20	505	380	2.91	13.68	1.33

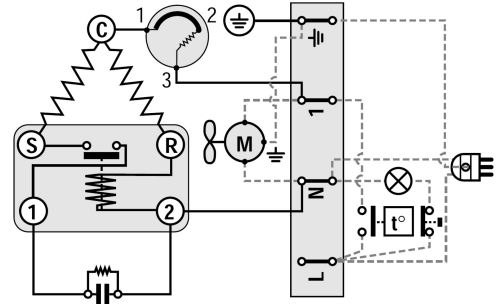
Condensing Temperature (°C)	Evaporating Temperature (°C)	Cooling Capacity (W)	Power Consumption (W)	Current Consumption (A)	Gas Flow Rate (kg/h)	Efficiency (w/W)
		±5%	±5%	±5%	±5%	±7%
<b>55°C</b>	10	1 336	663	3.83	45.20	2.01
	5	1 134	620	3.66	37.72	1.83
	0	952	577	3.50	31.16	1.65
	-5	788	533	3.35	25.45	1.48
	-10	643	489	3.21	20.53	1.32

**Test condition:** EN 12900, Fan, Return Gas 20°C, Subcooling OK, Evaporating: -10°C, Condensing: 45°C, Ambient: 35°C

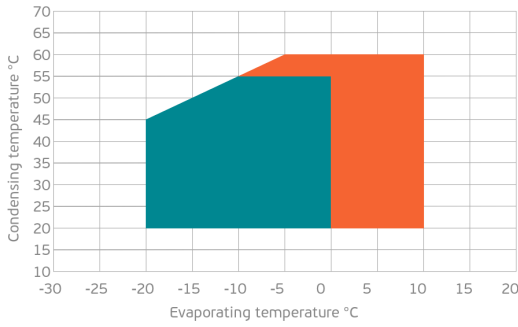
**ASSEMBLY INSTRUCTION**



**WIRING DIAGRAM**

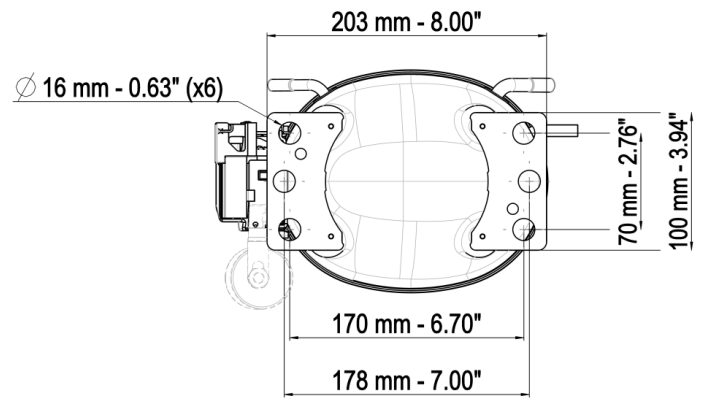
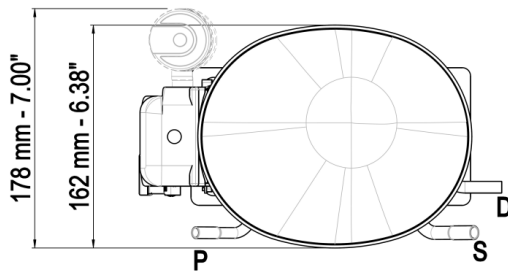
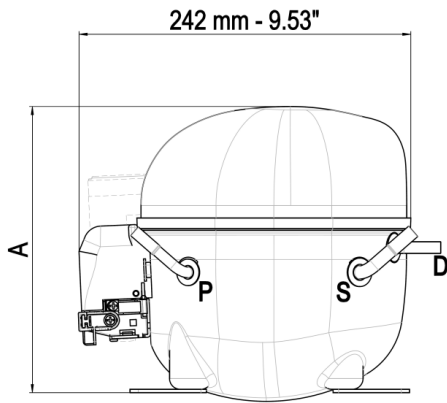


**OPERATING ENVELOPE**



- Operating Condition
- Transient Condition
- Superheating

**NOTE:** usage of compressors outside of intended working range cannot make use of the warranty, or should be consulted with Technical support.



DWG02	$\varnothing$ mm	$\varnothing$ in	material
S - Suction	6.10 - 6.20	0.24	Cu
P - Process	6.10 - 6.20	0.24	Cu
S - Discharge	4.86 - 5.02	3/16	Cu

DWG03	$\varnothing$ mm	$\varnothing$ in	material
S - Suction	8.10 - 8.20	0.32	Cu
P - Process	6.10 - 6.20	0.24	Cu
S - Discharge	6.10 - 6.20	0.24	Cu