



Model: NJ9226GK  
Code: 944LV11

**embraco** POWER IN.  
CHANGE ON

Type:	On-off
Voltage [V] / Frequency [Hz] / Phases	230 V 50 Hz 1 ~
Refrigerant:	R-404A
Application:	MBP

Motor type:	CSCR
Starting torque:	HST
HP:	1+
Displacement:	21.71 cm <sup>3</sup>

### OPERATING CONDITION

Evaporation Temp.	7.2 °C	Return Temp.	18.3 °C	Superheating	11.1 K
Condensing Temp.	54.4 °C	Liquid Temp.	54.4 °C	Subcooling	0.0 K

<b>Cooling capacity</b>	<b>Power consumption</b>	<b>Mass flow rate</b>	<b>Efficiency</b>
2,667.25 W	1,428.55 W	101.16 kg/h	1.87 W/W

### APPLICATION

Evaporating temperature range:	-20 to 0 °C	Cooling type:	Fan Cooling
Permanent operating temperature (peak) :	55 (60) °C	Air Flow	--
Expansion device:	Capillary tube or Expansion valve	Maximum motor temperature:	130 °C

### ELECTRICAL DATA

Start winding resistance at 25°C (77°F):	7.8 Ω +/- 8%	Run winding resistance at 25°C (77°F):	2.12 Ω +/- 8%
FLA - full load amperage L/MBP [A] 50 Hz / 60 Hz:	- / -	LRA (A) 50 Hz / 60 Hz:	27.5 / -
		FLA - full load amperage HBP [A] 50 Hz / 60 Hz:	- / -

### MECHANICAL DATA

Bore:	38.09 mm	Stroke:	9.53 mm
		Displacement:	21.71 cm <sup>3</sup>

### OTHER INFORMATION

Weight:	20.7 kg	Oil charge:	750 ml
Lubricant type:	Polyolester ISO22	Nitrogen charge:	Yes

### EXTERNAL SETTINGS

-	Shape	Material	Diameter [mm]
Suction connector	Vertical	Copper	9.60
Discharge connector	Slanted J	Copper	8.00
Process connector	Vertical	Copper	6.42
Base plate:	American Standard	Tray holder:	No

### PERFORMANCES AT STANDARD CHECK-POINTS

Checkpoint	Cooling capacity	Power consumption	Gas flow rate	Cooling Efficiency	Heating capacity +/-	Heating Efficiency
	+/-5%	+/-5%	+/-5%	+/- 7%	5% *	+/- 7%
	W	W	kg/h	W/W	W	W/W
EN12900 MBP	1,637.09	968.84	49.16	1.69	2,138.46	2.21

\* Calculations performed considering isentropic compression and a housing loss of 10%. This is an estimated heat amount discarded in the discharge pipe and the condenser combined.

**CONDENSING TEMP. 35 °C****(SUBCOOLING : 0 K, RETURN TEMP.: 32 °C)**

Evaporating temperature °C	Cooling capacity +/-5%	Power consumption +/-5%	Gas flow rate +/-5%	Cooling Efficiency +/- 7%	Heating capacity +/- 5% *	Heating Efficiency +/- 7%
	W	W	kg/h	W/W	W	W/W
-20.00	1,291.53	750.31	31.05	1.72	1,667.02	2.22
-15.00	1,653.33	818.95	39.99	2.02	2,075.25	2.53
-10.00	2,078.39	885.64	50.63	2.35	2,539.52	2.87
-5.00	2,572.96	946.56	63.22	2.72	3,063.36	3.24
0.00	3,144.80	997.30	78.04	3.15	3,651.84	3.66

**CONDENSING TEMP. 45 °C****(SUBCOOLING : 0 K, RETURN TEMP.: 32 °C)**

Evaporating temperature °C	Cooling capacity +/-5%	Power consumption +/-5%	Gas flow rate +/-5%	Cooling Efficiency +/- 7%	Heating capacity +/- 5% *	Heating Efficiency +/- 7%
	W	W	kg/h	W/W	W	W/W
-20.00	1,033.66	764.03	27.97	1.35	1,422.08	1.86
-15.00	1,341.86	849.51	36.56	1.58	1,791.35	2.11
-10.00	1,708.41	938.96	46.92	1.82	2,215.30	2.36
-5.00	2,137.30	1,028.73	59.27	2.08	2,694.63	2.62
0.00	2,634.16	1,114.98	73.88	2.36	3,232.06	2.90

**CONDENSING TEMP. 55 °C****(SUBCOOLING : 0 K, RETURN TEMP.: 32 °C)**

Evaporating temperature °C	Cooling capacity +/-5%	Power consumption +/-5%	Gas flow rate +/-5%	Cooling Efficiency +/- 7%	Heating capacity +/- 5% *	Heating Efficiency +/- 7%
	W	W	kg/h	W/W	W	W/W
-20.00	789.33	761.57	24.76	1.04	1,175.22	1.54
-15.00	1,035.05	857.21	32.73	1.21	1,491.37	1.74
-10.00	1,335.23	964.20	42.63	1.38	1,863.74	1.93
-5.00	1,690.86	1,078.37	54.59	1.57	2,288.59	2.12
0.00	2,104.93	1,196.01	68.85	1.76	2,765.24	2.31

**ELECTRICAL ACCESSORIES**

Kit:	1
Starter device:	VOLTAGE RELAY
Engineering code:	RVA4M3C-110
Run capacitor:	20
Starting capacitor:	88-108

Thermal protector: T0736/C9

Institutes approved for this electric kit:

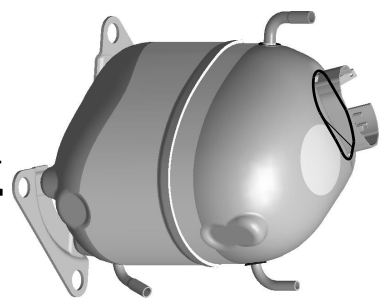
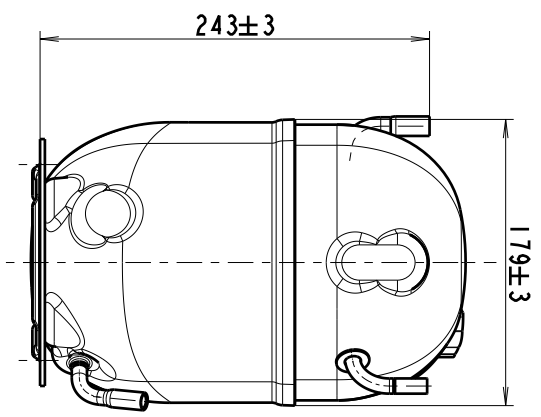
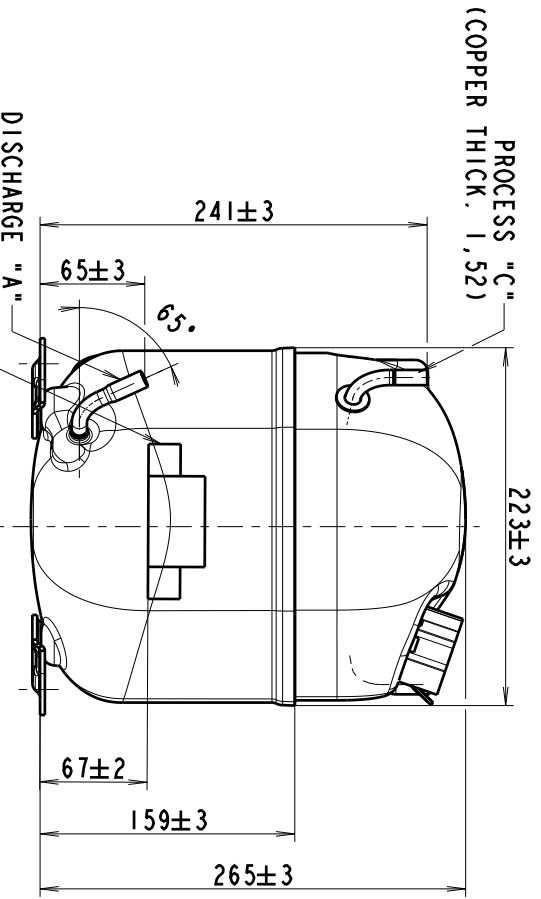


If purchased without electricals consult Embraco to verify the supplier of electricals approved for this compressor

**MECHANICAL ACCESSORIES**

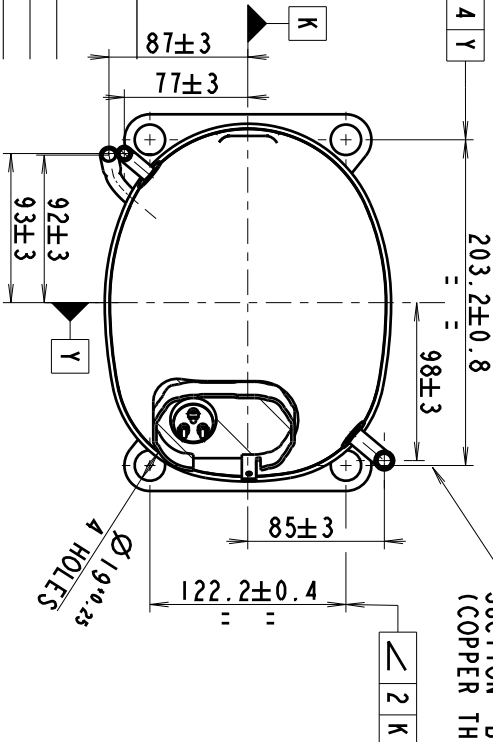
Rubber damper: Yes

Metal bushing: Optional



DISCHARGE "A"  
(COPPER THICK. 1,52)  
PLACE FOR INMETRO  
COMPRESSOR LABEL  
2.216.541

SUCTION "B"  
(COPPER THICK. 1,52)



ECM	REVISION	LO	BY	APP	DATE	
515339	1	ADDED MODEL NJ7231GP	TAB	BS	AP	27.06.2010
517908	2	CHANGED PROCESS TUBE	TAB	LF	JK	15.06.2012
519422	3	STANDARDISATION OF NJ BOTTOM SHELL	VIEWS	PT	JK	04.07.2012
28918	4	ALL BOMS CORRECTION. F.E. FROM 94401 TO 94411.	TAB	PT	JK	06.05.2013
30537	5	ADDED INMETRO LABEL	C6	DG	M6	01.08.2013

MATERIAL :

CODE :

DRAWN : PETER TEPLICA 16.12.2009

APP. : JAN KAKALEJCIN

ECM : 514846

**embraco**

NJ EXTERNAL VIEW  
MEDIUM

GEN. TOL. :

ANG. TOL. :

SCALE : 1:3

REPLACE 1.960.857 REV.3

No. 1.960.857

A	B	C	SHELL TYPE	MODELS
1. D. 8.0-8.08 X 23 DEEP	1. D. 9.6-9.67 X 22 DEEP	1. D. 6.42-6.5 X 22 DEEP	944.01 144.01 948.01 148.01 944.11 144.11 948.11 148.11	NJ2192GK NJ9226GK NJ2152Z NJ62202 NJ2152A NJ62204 NJ9226E NJ2178E NJ7231F NJ7231GF NJ2192K NJ62262X NJ9226GS NJ7231GP

THIS MATERIAL IS SPECIFICALLY AND EXCLUSIVELY FOR EMBRACO EXPORT AND MAY NOT BE REPRODUCED, DISSEMINATED OR USED IN ANY MANNER WITHOUT THE WRITTEN PERMISSION OF EMBRACO.