



Compressor hermetic scroll Panasonic C-SBN303H8G Panasonic

Data sheet

Voltage	380-415V/3/50Hz
Horse power	4 CV
Displacement cm ³	66.8 cm ³
Cooling capacity at ARI conditions, R407C	11.6 kW
Cooling capacity at Refrigeration conditions, R404A	8.73 kW
Cooling capacity at Ashrae conditions, R134a	7.95 kW

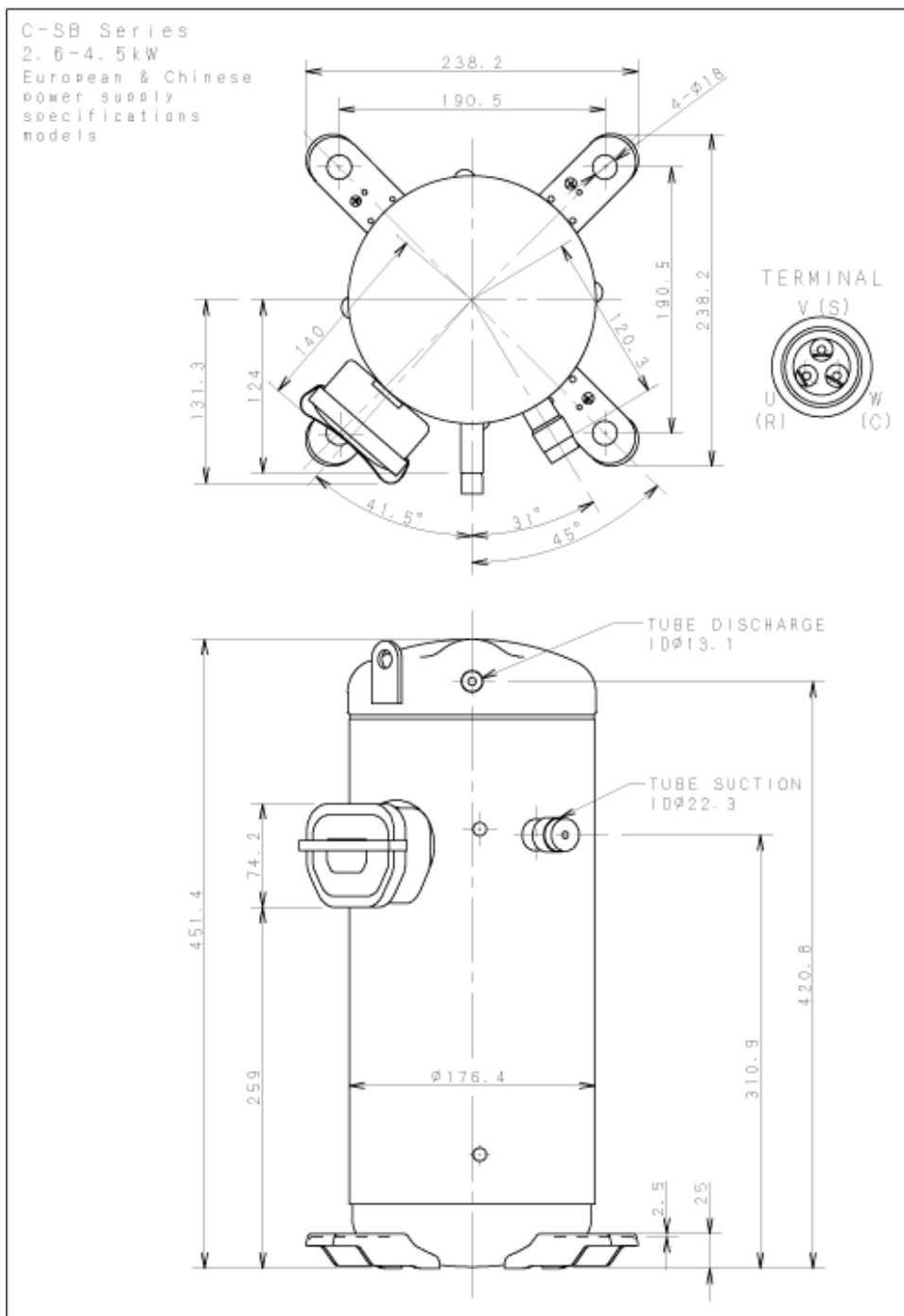
Cooling capacity at ARI conditions, R134a	8 kW
Refrigerant	R407C, R404A, R134a, R407F
Suction pipe	7/8 inch
Discharge pipe	1/2 inch
Weight	37.50 Kg
Current	7.90 A
Start-up intensity (rotor blocked)	48 A
Maximum service intensity	11.10 A
Type of oil	FV68S
Recharge oil	1600 cc
Text	380/415-3-50 (460/440-3-60) Disponibile en versión tandem
Sound level	62 dB
Temperature	Medium/high
Ambient temperature	35 °C
Technologies	Fixed speed
Heat pump	No
Maximum shell bottom temperature	90 °C
Maximum discharge temperature	115 °C
Maximum winding temperature	115 °C
Type of motor cooling	Natural
Type of refrigerant	R407C, R404A, R134a
Motor type	3-PH Induction Motor
Motor protection type	Interno
Speed	2900 rpm
Low pressure design	1.60 M Pa
High pressure design	3.3 M Pa

✓ [View more information](#)

Documentation

[C-SBN303H8A_dibujo.gif](#) 21.59KB (/files/C-SBN303H8A_dibujo.gif)

DIMENSIONAL SKETCH



DIM-SB50

wiringdiagramc-sb-3ph_290813_1377788534_79_.jpg 142.15KB (/files/wiringdiagramc-sb-3ph_290813_1377788534_79_.jpg)

