



Compressor hermetic scroll Panasonic C-SBN453H8G

Panasonic

Data sheet

Voltage	380-415V/3/50Hz
Horse power	6 CV
Displacement cm ³	100 cm ³
Cooling capacity at ARI conditions, R407C	17.6 kW
Cooling capacity at Refrigeration conditions, R404A	13.62 kW
Cooling capacity at Ashrae conditions, R134a	12.13 kW

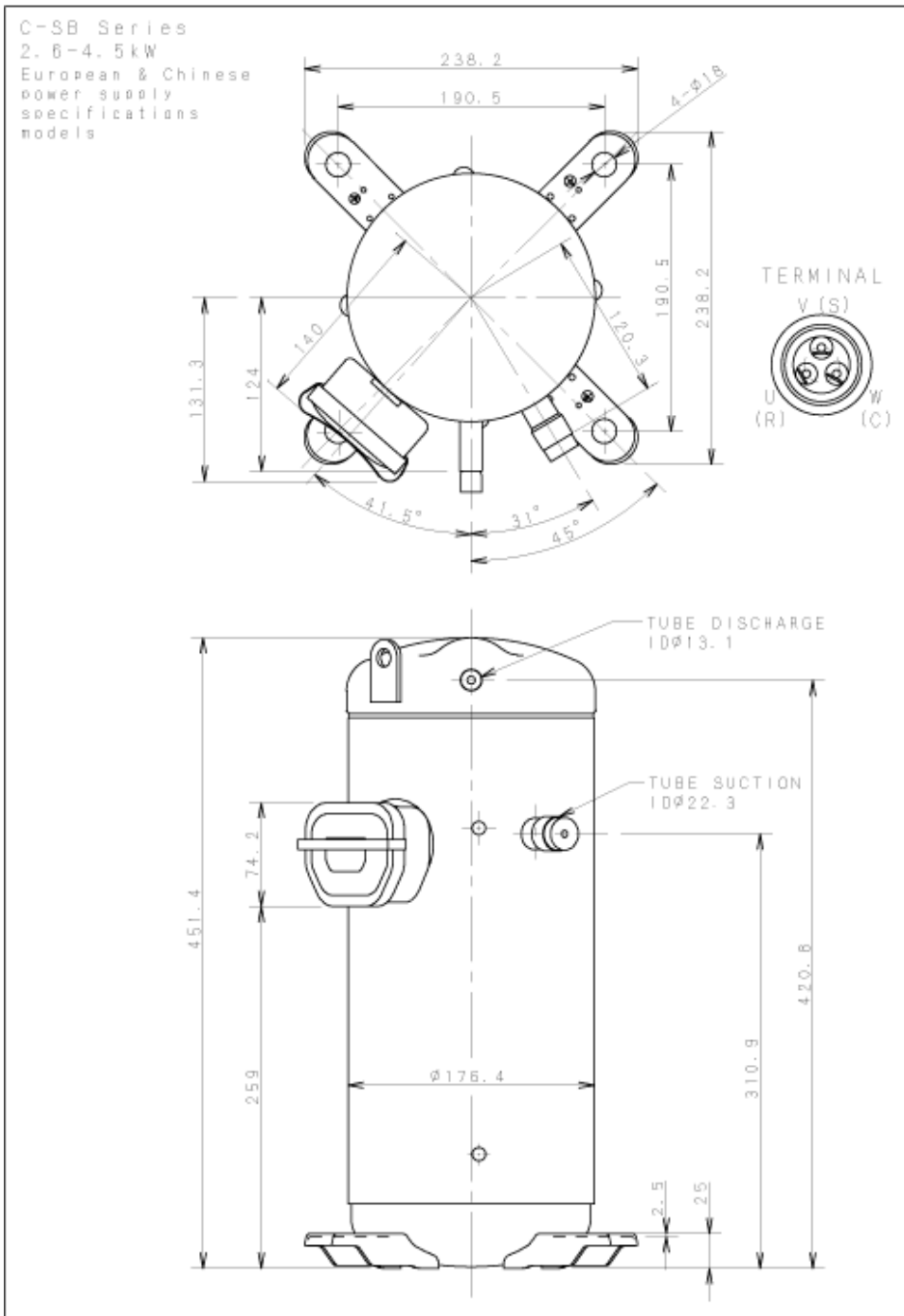
Cooling capacity at ARI conditions, R134a	12.2 kW
Refrigerant	R407C, R404A, R134a, R407F
Suction pipe	7/8 inch
Discharge pipe	1/2 inch
Weight	39.50 Kg
Current	10.40 A
Start-up intensity (rotor blocked)	66 A
Maximum service intensity	14.50 A
Type of oil	FV68S
Recharge oil	1600 cc
Text	380/415-3-50 (460/440-3-60) Disponible en versión tandem
Sound level	64 dB
Temperature	Medium/high
Ambient temperature	35 °C
Technologies	Fixed speed
Heat pump	No
Maximum shell bottom temperature	90 °C
Maximum discharge temperature	115 °C
Maximum winding temperature	115 °C
Type of motor cooling	Natural
Type of refrigerant	R407C, R404A, R134a
Motor type	3-PH Induction Motor
Motor protection type	Interno
Speed	2900 rpm
Low pressure design	1.60 M Pa
High pressure design	3.3 M Pa

✓ [View more information](#)

Documentation

[C-SBN453H8A_dibujo.gif 21.59KB \(/files/C-SBN453H8A_dibujo.gif\)](#)

DIMENSIONAL SKETCH



DIM-SB50

wiringdiagramc-sb-3ph_290813_1377790125_90_.jpg 142.15KB (/files/wiringdiagramc-sb-3ph_290813_1377790125_90_.jpg)

