



Compressor hermetic scroll Panasonic C-SBP170H38B Panasonic

Data sheet

| | |
|---|-----------------------------|
| Voltage | 380/415 V 50/60 hz 3 ph |
| Horse power | 5 CV |
| Displacement cm ³ | 54.80 cm ³ |
| Cooling capacity at ARI conditions, R410A | 13.9 kW |
| Refrigerant | R410A |
| Suction pipe | 7/8 inch |

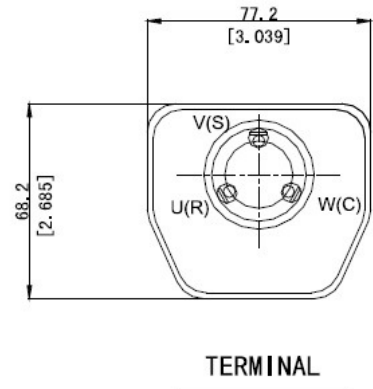
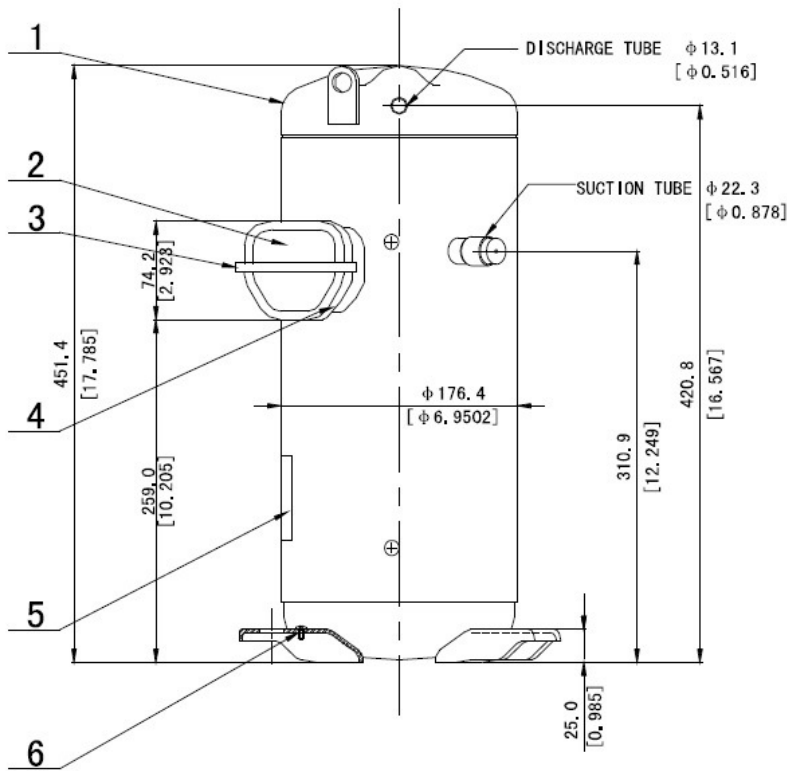
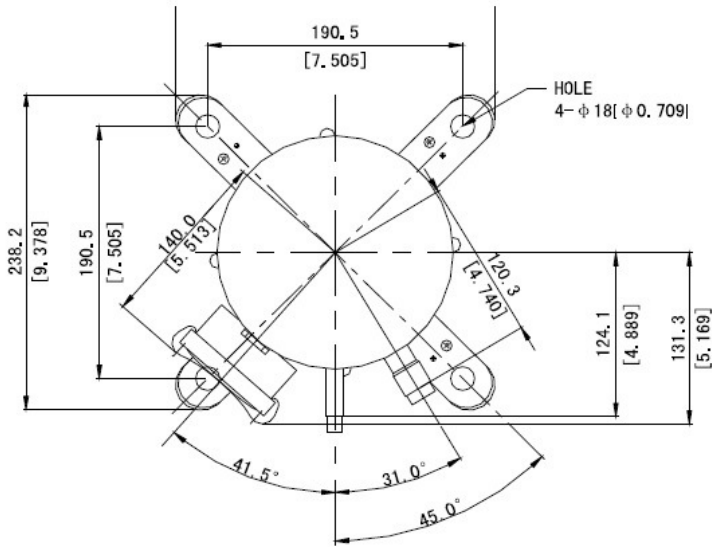
| | |
|------------------------------------|---|
| Discharge pipe | 1/2 inch |
| Weight | 39 Kg |
| Current | 12.43 A |
| Start-up intensity (rotor blocked) | 73 A |
| Maximum service intensity | 17.40 A |
| Type of oil | FV68S |
| Recharge oil | 1600 cc |
| Text | 380/415-3-50 (460/440-3-60) Disponible en versión tandem Hi-COP |
| Sound level | 59 dB |
| Temperature | Medium/high |
| Ambient temperature | 35 °C |
| Technologies | Fixed speed |
| Heat pump | No |
| Maximum shell bottom temperature | 90 °C |
| Maximum discharge temperature | 115 °C |
| Maximum winding temperature | 115 °C |
| Type of motor cooling | Natural |
| Type of refrigerant | R410A |
| Motor type | 3-PH Induction Motor |
| Motor protection type | Interno |
| Speed | 2900 rpm |
| Low pressure design | 2.21 M Pa |
| High pressure design | 4.15 M Pa |

▼ [**View more information**](#)

Documentation

c-sbp170h38a dibujo_150313_1363340840_35 .jpg 152.15KB (/files
 /c-sbp170h38a_dibujo_150313_1363340840_35 .jpg)

C-SB Series



| No. | Qty | Name |
|-----|-----|--------------------|
| 1 | 1 | Compressor |
| 2 | 1 | Terminal Box Cover |
| 3 | 1 | Terminal Box Clip |
| 4 | 1 | Insulating Grommet |
| 5 | 1 | Nameplate |
| 6 | 1 | Screw Special |

wiringdiagramc-sb-3ph_300813_1377857301_25_.jpg 142.15KB (/files/wiringdiagramc-sb-3ph_300813_1377857301_25_.jpg)

