



## Compressor hermetic scroll Panasonic C-SBP235H38B Panasonic

### Data sheet

Voltage	380-415V/3/50Hz
Horse power	7 CV
Displacement cm <sup>3</sup>	76 cm <sup>3</sup>
Cooling capacity at ARI conditions, R410A	19.9 kW
Refrigerant	R410A
Suction pipe	7/8 inch
Discharge pipe	1/2 inch
Weight	40 Kg
Current	11.3 A
Type of oil	FV68S or Equivalent
Temperature	Medium/high
Technologies	Fixed speed
Heat pump	No
Type of refrigerant	R410A
Speed	2900 rpm

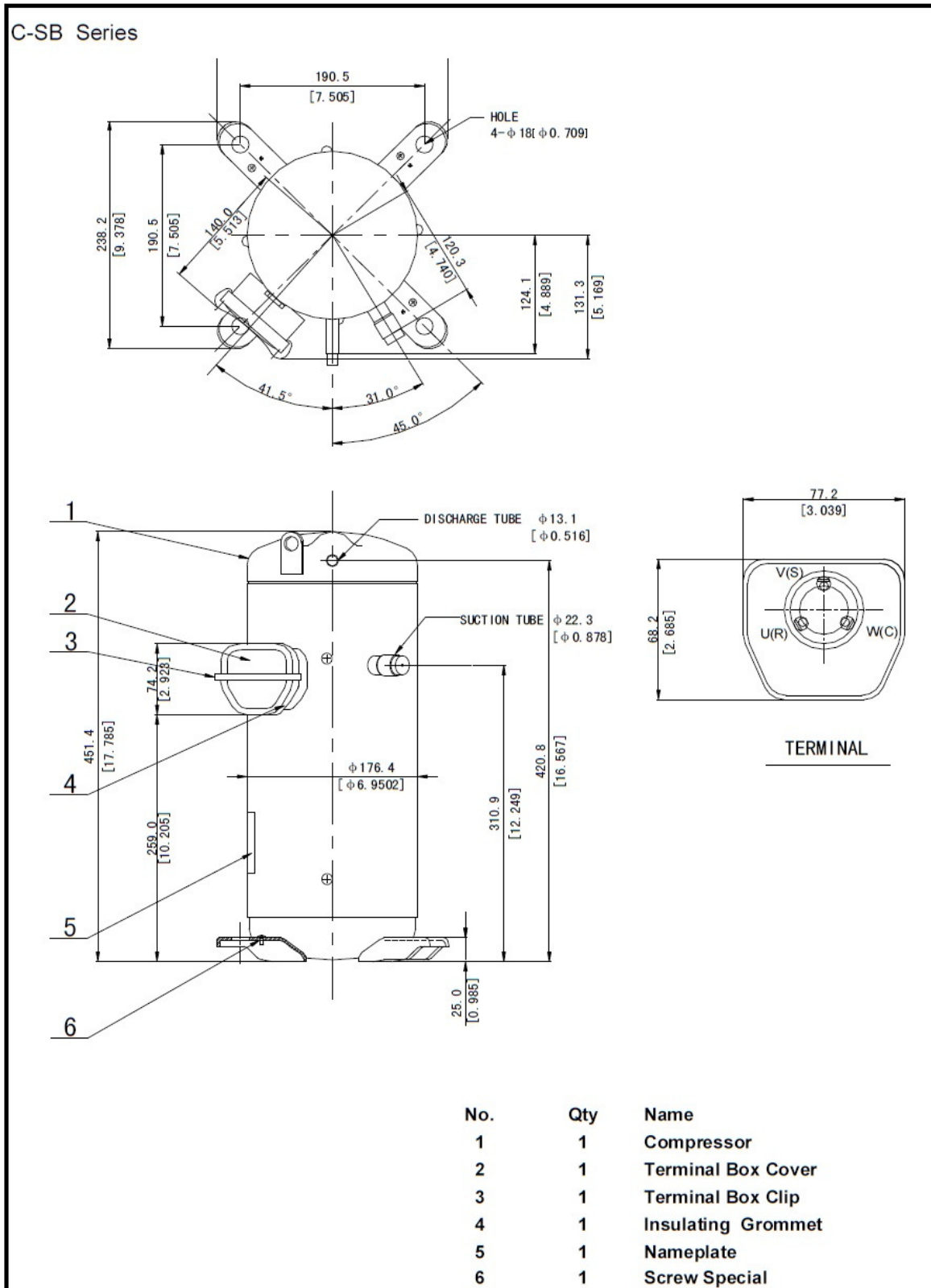
✓ [View more information](#)

---

## Documentation

---

### DIMENSIONAL SKETCH



WIRING & MOUNTING SKETCH

