


APPROVALS




 **ENGINEERING CODE**
303FO1201AA

 **APPROVED REFRIGERANT**
R-452A

 **POWER SUPPLY**
380 V 50 Hz

 **STANDARD CONDITIONS**
EN12900

 **APPLICATION**
LBP

 **COOLING CAPACITY**
3912 W

 **EFFICIENCY**
1.27 W/W

 **MOTOR TYPE**
SCRL

DATA

General Data

Type	Hermetic Scroll Compressor
Technology Type	On-Off
Displacement (Swept Volume)	17.1 m ³ /h (98.3 cm ³ /rev)
Compressor Cooling	Static
Horse Power	6 hp
Power Supply	380-420 V 50 Hz / 460 V 60 Hz

Electrical Data

Motor type	SCRL
Pole	2
Voltage working range at 50 Hz	342-462 V
Voltage working range at 60 Hz	414-506 V
Maximum Motor Temperature	130 °C
Run Winding Resistance	1.9 Ω at 25° C
Motor insulation class	B
Rated speed	approximately 2900
High Side	3.2 MPa
Low Side	2 MPa
Maximum discharge temperature	125
Pressure release valve opening range	2.76-3.10 MPa

Mechanical Data

Maximum Recommended Refrigerant Charge	5.5 Kg
Oil Type	POE 32
Oil Initial Volume	1.4 L
Oil Recharge Volume	1.25 L
Oil Circulation	<1 %
Weight	34.1 Kg
Free Internal Volume Low	3.2 L
Free Internal Volume High	1 L

Electrical Components

	Description
Motor Protection	Internal Protector

External Characteristics

Base Plate Holes	191x191		
Base Plate Dimensions	239x239		
Height	424 mm		
Diameter	168 mm		
Hanger Tab	1		
Oil Side Glass	1		
Connector	Internal Diameter	Material	Shape
Suction	1 1/4"-12 UNF 2A	Copper plated steel tube	Rotolock
Discharge	3/4"-16 UNF 2A	Copper plated steel tube	Rotolock

PERFORMANCE

Rated Points

Cooling Capacity	Power Input	COP	Rated Load Amps RLA	Locked Rotor Amps LRA	Maximum Operating Current MOC	Sound Power Level
3912 W	3072 W	1.27 W/W	6.8 A	65 A	12.1 A	74 dBA

Test Condition: EN12900: Te -35°C; Tc 40°C; Rg 20°C. No subcooling; Ta 35°C. Data in accordance to EN12900 guideline polynomial curve.

Performance Curve Data - Frequency: 50Hz

Condensing Temperature 35°C

Evaporating Temperature °C	Cooling Capacity W	Power W	Efficiency W/W
-40	3382	781	4.33
-35	4166	825	5.05
-30	5124	872	5.87
-25	6286	922	6.82
-20	7683	974	7.89
-15	9347	1025	9.12
-10	11307	1077	10.5
-5	13594	1127	12.06
0	16241	1176	13.81

Test Condition: EN12900, Static, LBP. Data in accordance to EN12900 guideline polynomial curve.

Condensing Temperature 45°C

Evaporating Temperature °C	Cooling Capacity W	Power W	Efficiency W/W
-40	2949	940	3.14
-35	3649	987	3.7
-30	4501	1040	4.33
-25	5534	1096	5.05
-20	6781	1154	5.87
-15	8271	1215	6.81
-10	10036	1276	7.86
-5	12106	1338	9.05
0	14513	1399	10.38

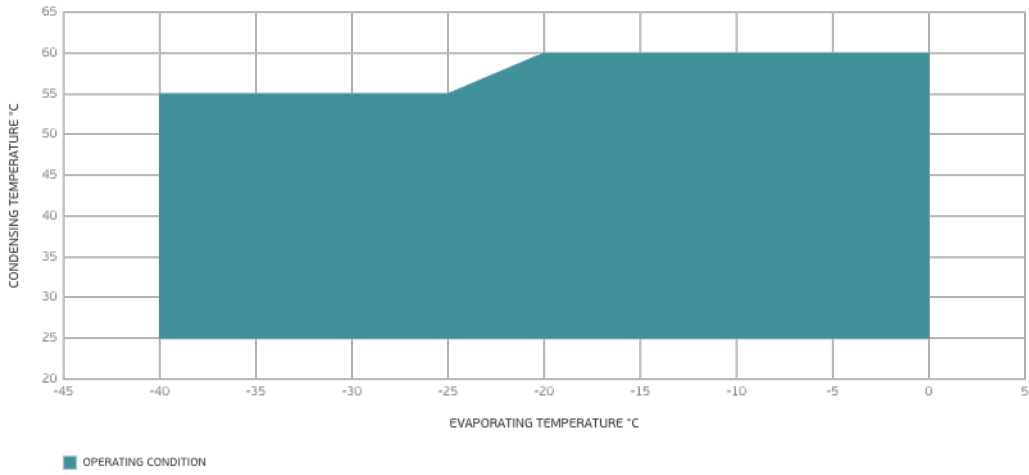
Test Condition: EN12900, Static, LBP. Data in accordance to EN12900 guideline polynomial curve.

Condensing Temperature 55°C

Evaporating Temperature °C	Cooling Capacity W	Power W	Efficiency W/W
-40	2582	1168	2.21
-35	3137	1216	2.58
-30	3822	1270	3.01
-25	4666	1328	3.51
-20	5701	1390	4.1
-15	6957	1455	4.78
-10	8465	1523	5.56
-5	10257	1591	6.45
0	12362	1660	7.45

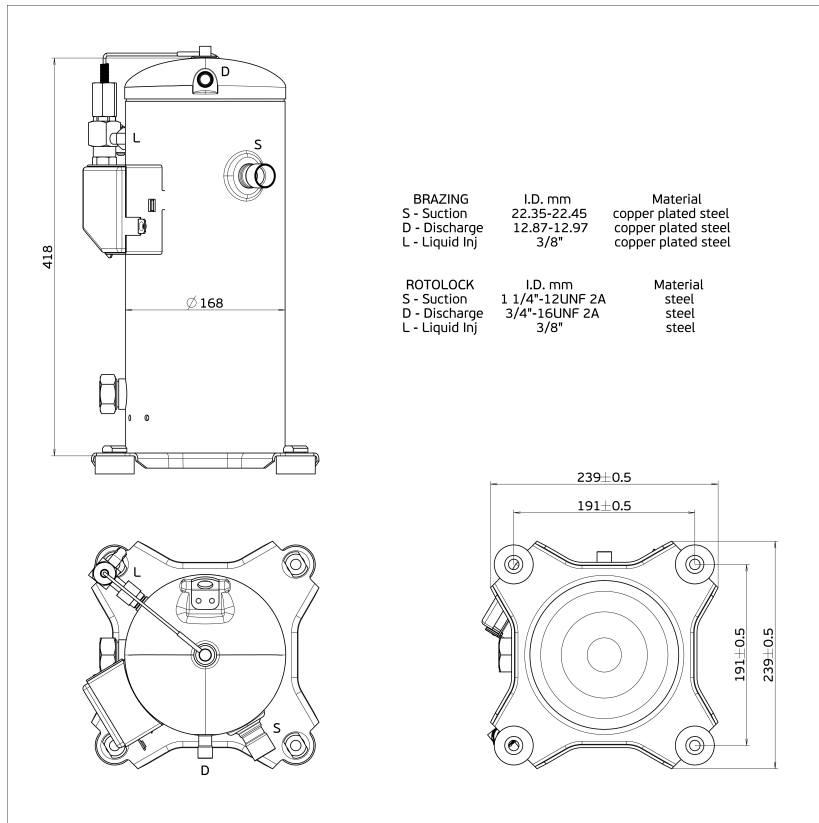
Test Condition: EN12900, Static, LBP. Data in accordance to EN12900 guideline polynomial curve.

Operating Envelope



The envelope presented is related to R404A/R452A/R449A. For others, please contact our technical support.

External Dimensions



Wiring Diagram

