


APPROVALS




 **ENGINEERING CODE**
301CO1101AA

 **APPROVED REFRIGERANT**
R-134a

 **POWER SUPPLY**
380 V 50 Hz

 **STANDARD CONDITIONS**
EN12900

 **APPLICATION**
MBP

 **COOLING CAPACITY**
2827 W

 **EFFICIENCY**
2.07 W/W

 **MOTOR TYPE**
SCRL

DATA

General Data

Type	Hermetic Scroll Compressor
Technology Type	On-Off
Displacement (Swept Volume)	8.1 m ³ /h (46.6 cm ³ /rev)
Compressor Cooling	Static
Horse Power	3 hp
Power Supply	380-420 V 50 Hz / 460 V 60 Hz

Electrical Data

Motor type	SCRL
Pole	2
Voltage working range at 50 Hz	342-462 V
Voltage working range at 60 Hz	414-506 V
Maximum Motor Temperature	130 °C
Run Winding Resistance	3.3 Ω at 25° C
Motor insulation class	B
Rated speed	approximately 2900
High Side	3.2 MPa
Low Side	2 MPa
Maximum discharge temperature	125
Pressure release valve opening range	2.76-3.10 MPa

Mechanical Data

Maximum Recommended Refrigerant Charge	3.5 Kg
Oil Type	POE 32
Oil Initial Volume	1.4 L
Oil Recharge Volume	1.25 L
Oil Circulation	<1 %
Weight	30.1 Kg
Free Internal Volume Low	3.8 L
Free Internal Volume High	1 L

Electrical Components

	Description
Motor Protection	Internal Protector

External Characteristics

Base Plate Holes	191x191		
Base Plate Dimensions	239x239		
Height	424 mm		
Diameter	168 mm		
Hanger Tab	1		
Oil Side Glass	1		
Connector	Internal Diameter	Material	Shape
Suction	1 1/4"-12 UNF 2A	Copper plated steel tube	Rotolock
Discharge	3/4"-16 UNF 2A	Copper plated steel tube	Rotolock

PERFORMANCE

Rated Points

Cooling Capacity	Power Input	COP	Rated Load Amps RLA	Locked Rotor Amps LRA	Maximum Operating Current MOC	Sound Power Level
2827 W	1369 W	2.07 W/W	3.8 A	45 A	6.9 A	71 dBA

Test Condition: EN12900: Te -10°C; Tc 45°C; Rg 20°C. No subcooling; Ta 35°C. Data in accordance to EN12900 guideline polynomial curve.

Performance Curve Data - Frequency: 50Hz

Condensing Temperature 35°C

Evaporating Temperature °C	Cooling Capacity W	Power W	Efficiency W/W
-30	1394	292	4.77
-25	1621	302	5.37
-20	1998	316	6.33
-15	2518	332	7.58
-10	3177	350	9.07
-5	3970	369	10.77
0	4892	387	12.65
5	5937	403	14.74
10	7100	416	17.08

Test Condition: EN12900, Static, MBP. Data in accordance to EN12900 guideline polynomial curve.

Condensing Temperature 45°C

Evaporating Temperature °C	Cooling Capacity W	Power W	Efficiency W/W
-30	1243	327	3.8
-25	1426	341	4.19
-20	1755	358	4.9
-15	2224	379	5.87
-10	2827	401	7.05
-5	3561	425	8.39
0	4420	448	9.88
5	5397	469	11.51
10	6490	487	13.32

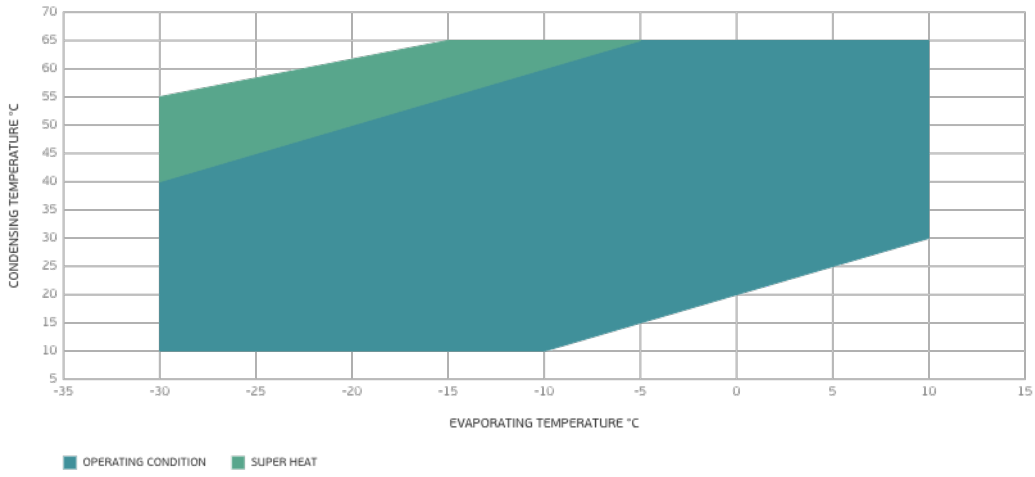
Test Condition: EN12900, Static, MBP. Data in accordance to EN12900 guideline polynomial curve.

Condensing Temperature 55°C

Evaporating Temperature °C	Cooling Capacity W	Power W	Efficiency W/W
-30	1190	374	3.19
-25	1303	390	3.34
-20	1557	411	3.79
-15	1948	435	4.48
-10	2470	461	5.35
-5	3118	489	6.38
0	3886	516	7.53
5	4771	542	8.8
10	5767	566	10.19

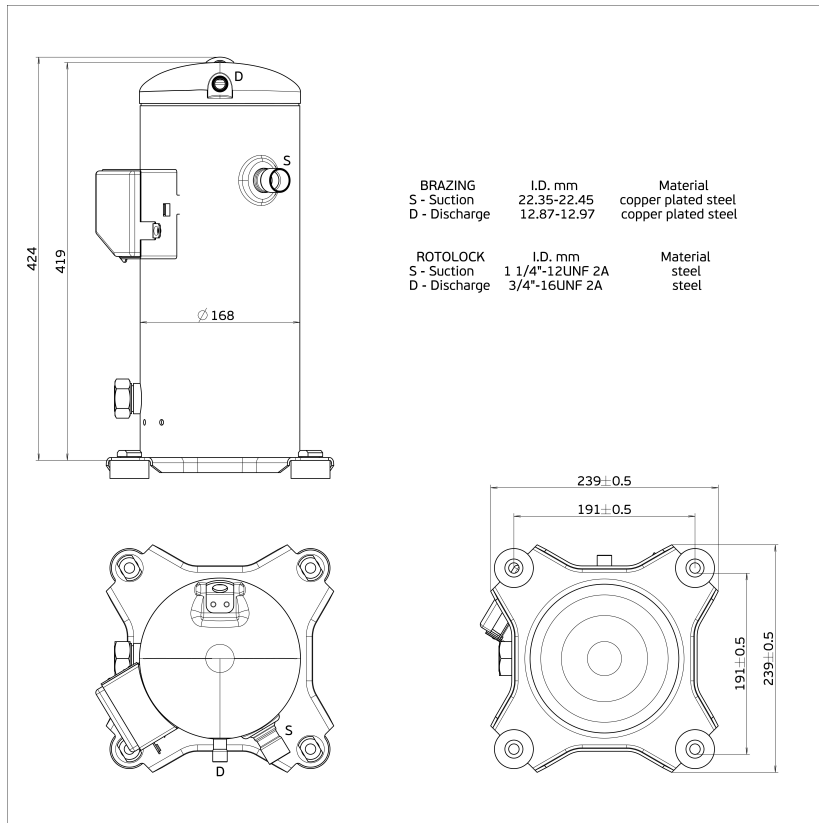
Test Condition: EN12900, Static, MBP. Data in accordance to EN12900 guideline polynomial curve.

Operating Envelope



The envelope presented is related to R404A/R452A. For others, please contact our technical support.

External Dimensions



Wiring Diagram

