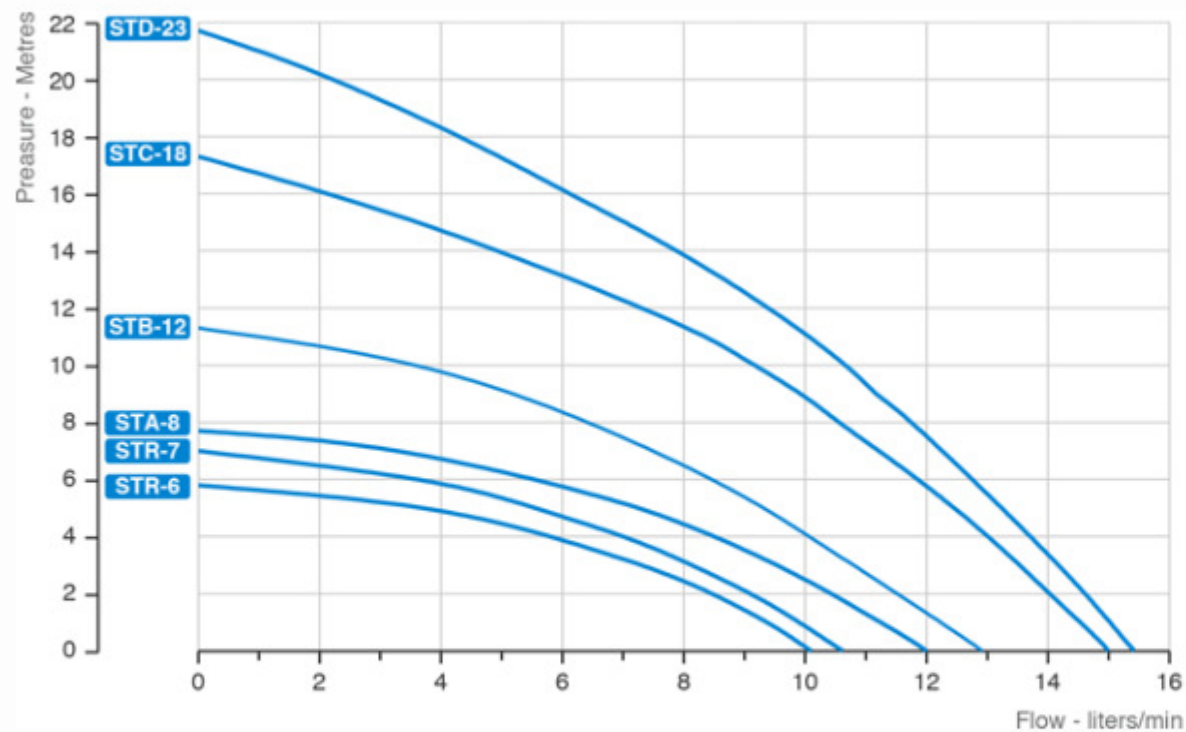


ST agitator-pumps series is designed for medium and big refrigerators where **high reliability** and **long life** are required. These pumps are **very popular in both international and domestic markets** and are appreciated for their performances and **low energy consumption**.

[>> Request Technical Details](#)

[>> Power cords available](#)

[>> Technical s](#)

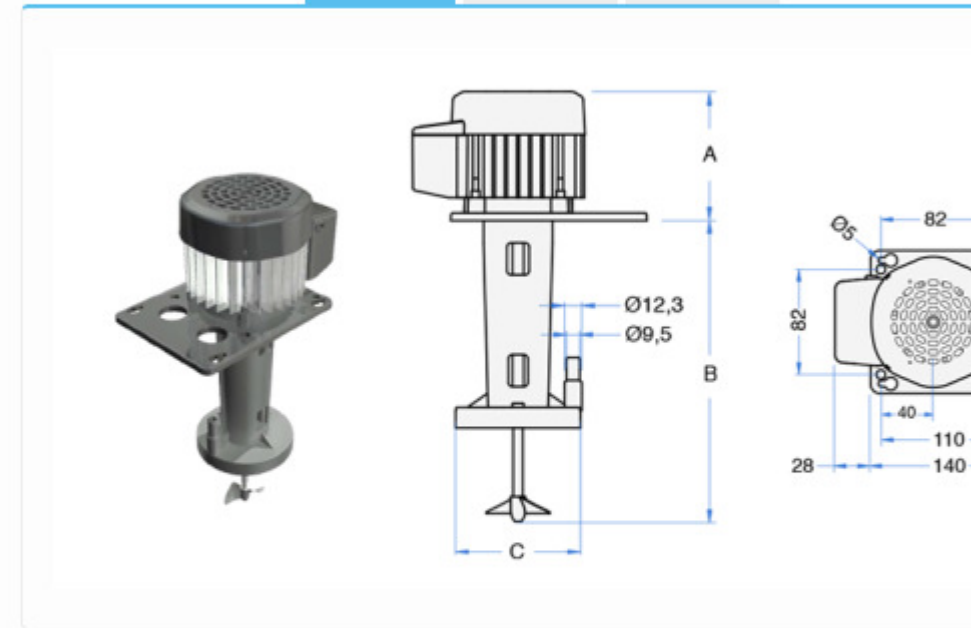


FIXING PLATES [mm]:

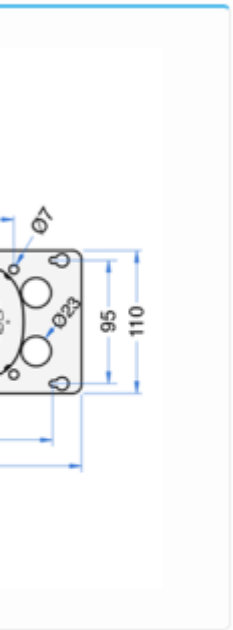
[140x110](#)

[150x120](#)

[178x126](#)



TYPE	Volt	Hz	Amp	Watt	Rpm	A	B	C	Propeller Ø (mm)
STR-6	230	50	0,18	46	2800	90	185	78	50 2 Blades 15°
STR-7	230	50	0,19	50	2800	90	220	90	50 2 Blades 15°
STA-8	230	50	0,25	54	2800	105	220	90	50 2 Blades 15°



Weight
1,48
1,55
1,85