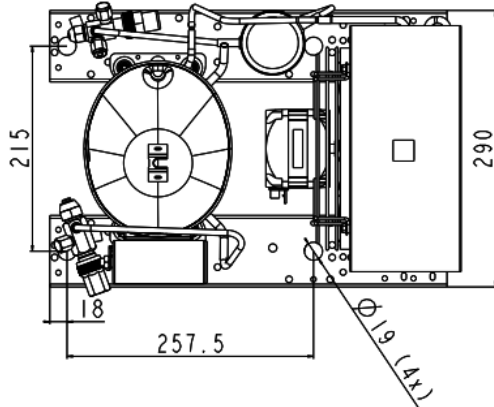
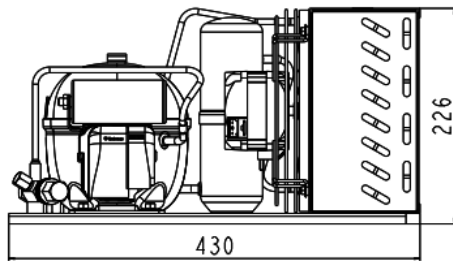


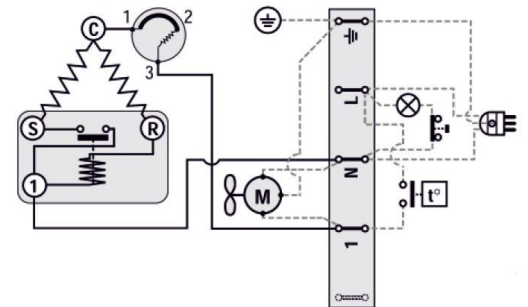
GENERAL DATA

Application:	M/HBP
Refrigerant:	R134a
Expansion Device:	C-V
Weight:	15.2 kg
Receiver:	0.6 liter
Voltage:	at 50 Hz 220 - 240 V
Height:	226 mm
Length:	430 mm
Width:	290 mm
Institute Approvals:	CE

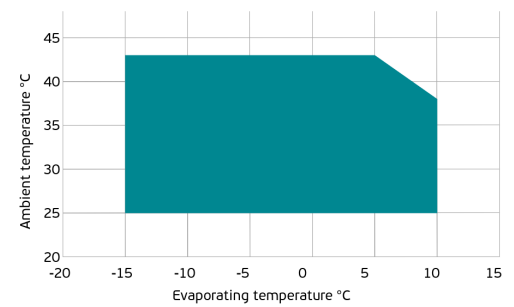
EXTERNAL DIMENSIONS



WIRING DIAGRAM



OPERATING ENVELOPE



COMPONENTS (SPARE PARTS)

Valve Suction:	3/8" SAE (2)	2110024
Condenser:	3R8T	2451204
Compressor:	EMT6144Z	194PA67..AR

Valve Discharge:	1/4" SAE (3)	2110025
Fan Kit:	10W 200/28°/5B	1996700
Electrical Kit:	ELCOM EMT6144Z	194PA6764A

For additional accessories please contact our technical support

NOISE DATA

Sound power level: 59 dB (A)

Sound pressure level dB (A):

51 (at 1m) | 37 (at 5m) | 31 (at 10m)

Maximum noise at maximum ambient temperature, 20°C return gas, configurations voltage and frequency.

ELECTRICAL DATA

Motor Type: RSIR

Locked Rotor Amperage (RLA): 8.5 A

Max.Current: 1.48 A

At maximum evaporating temperature and maximum ambient temperature.

FAN MOTOR

Number: 1

Shaft Power: 10 W

Air Flow: 300 m³/hod

Blade Diameter: 200 mm

PERFORMANCE DATA

Standard: EN13215 / return gas 20°C, subcooling 3K

50 Hz

	Evaporating Temperature (°C)	Cooling Capacity (W)	Power Consumption (W)	Current Consumption (A)	Efficiency (W/W)
25°C Ambient Temperature	10°C	648	241.35	1.49	2.68
	5°C	554	221.89	1.43	2.50
	0°C	467	203.93	1.37	2.29
	-5°C	389	187.47	1.32	2.07
	Rated point -10°C	319	172.50	1.28	1.85
	-15°C	258	159.03	1.25	1.62
32°C Ambient Temperature	10°C	589	248.82	1.54	2.37
	5°C	503	228.75	1.48	2.20
	0°C	425	210.23	1.42	2.02
	-5°C	354	193.26	1.37	1.83
	Rated point -10°C	290	177.83	1.32	1.63
	-15°C	235	163.95	1.28	1.43
43°C Ambient Temperature	5°C	449	240.98	1.52	1.86
	0°C	389	221.73	1.44	1.75
	-5°C	323	203.57	1.38	1.59
	Rated point -10°C	255	187.26	1.34	1.36
	-15°C	192	173.56	1.30	1.11