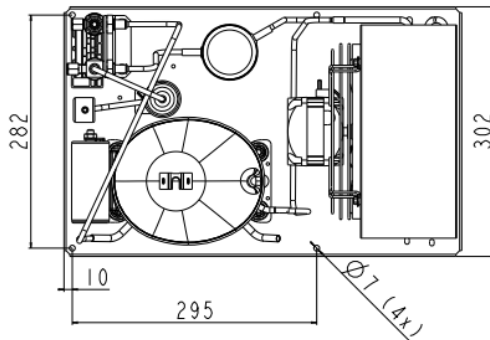
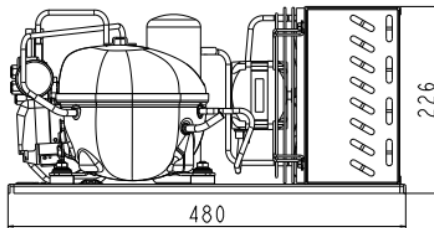


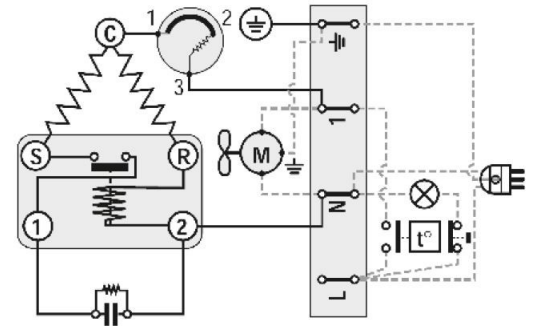
GENERAL DATA

Application:	M/HBP
Refrigerant:	R404A
Expansion Device:	C-V
Weight:	16.6 kg
Receiver:	0.6 liter
Voltage:	at 50 Hz 220 - 240 V
Height:	226 mm
Length:	480 mm
Width:	302 mm
Institute Approvals:	CE

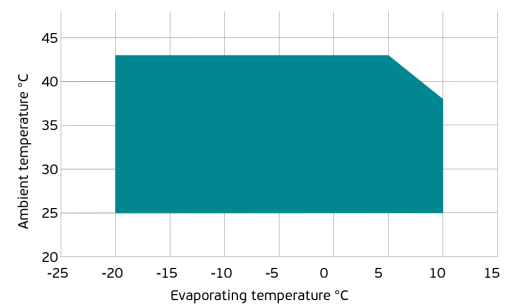
EXTERNAL DIMENSIONS



WIRING DIAGRAM



OPERATING ENVELOPE



COMPONENTS (SPARE PARTS)

Valve Suction:	3/8" SAE (2)	2110060
Dryer:	FILTER DRYER 6MM ODF	2730006
Sight Glass:	SIGHT GLASS 6MM ODF	2464031
Compressor:	EMT6152GK	912FA67..AR

Valve Discharge:	1/4" SAE (3)	2110086
Condenser:	3R8T	2451204
Fan Kit:	10W 200/28°/5B	1996581
Electrical Kit:	ELCOM EMT6152GK	912FA6764A

For additional accessories please contact our technical support

NOISE DATA

Sound power level: 59 dB (A)
Sound pressure level dB (A): 51 (at 1m) | 37 (at 5m) | 31 (at 10m)
Maximum noise at maximum ambient temperature, 20°C return gas, configurations voltage and frequency.

ELECTRICAL DATA

Motor Type: CSIR
Locked Rotor Amperage (RLA): 8.5 A
Max.Current: 1.94 A
At maximum evaporating temperature and maximum ambient temperature.

FAN MOTOR

Number: 1
Shaft Power: 10 W
Air Flow: 300 m³/hod
Blade Diameter: 200 mm

PERFORMANCE DATA

Standard: EN13215 / return gas 20°C, subcooling 3K

50 Hz

	Evaporating Temperature (°C)	Cooling Capacity (W)	Power Consumption (W)	Current Consumption (A)	Efficiency (W/W)
25°C Ambient Temperature	10°C	743	362.78	1.98	2.05
	5°C	668	329.00	1.85	2.03
	0°C	595	298.24	1.73	2.00
	-5°C	523	270.50	1.63	1.93
	Rated point -10°C	451	245.79	1.54	1.83
	-15°C	381	224.11	1.47	1.70
	-20°C	312	205.45	1.41	1.52
32°C Ambient Temperature	10°C	675	374.00	2.04	1.80
	5°C	608	339.17	1.90	1.79
	0°C	541	307.46	1.78	1.76
	-5°C	475	278.87	1.67	1.70
	Rated point -10°C	410	253.39	1.58	1.62
	-15°C	347	231.03	1.51	1.50
	-20°C	284	211.80	1.46	1.34
43°C Ambient Temperature	5°C	532	368.48	2.02	1.44
	0°C	475	341.51	1.90	1.39
	-5°C	408	312.08	1.79	1.31
	Rated point -10°C	341	281.56	1.68	1.21
	-15°C	286	251.31	1.58	1.14
	-20°C	252	222.68	1.48	1.13