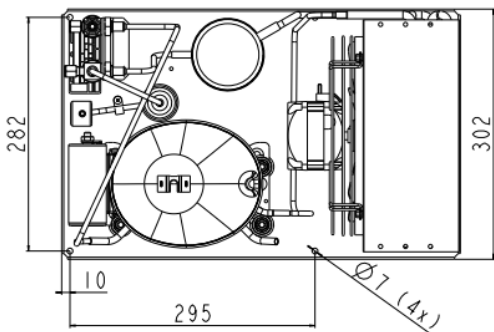
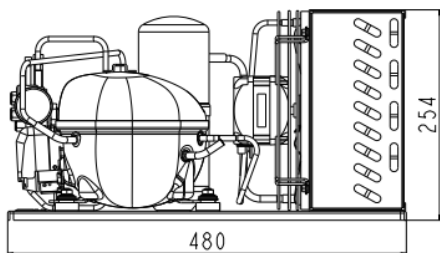


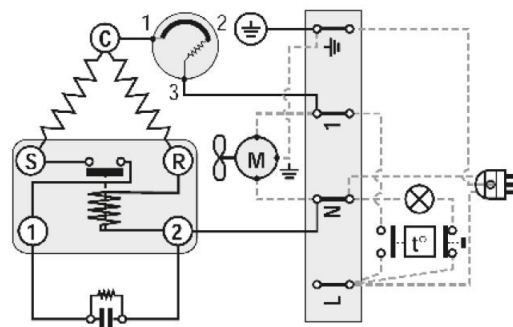
GENERAL DATA

Application:	M/HBP
Refrigerant:	R134a
Expansion Device:	C-V
Weight:	19 kg
Receiver:	1.1 liter
Voltage:	at 50 Hz 220 - 240 V
Height:	254 mm
Length:	480 mm
Width:	302 mm
Institute Approvals:	CE

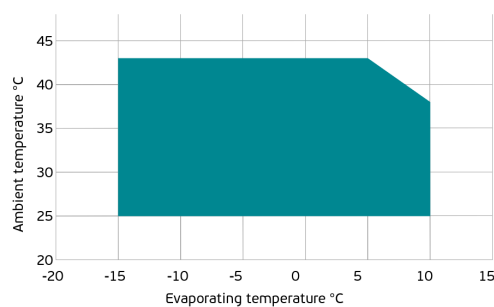
EXTERNAL DIMENSIONS



WIRING DIAGRAM



OPERATING ENVELOPE



COMPONENTS (SPARE PARTS)

Condenser:	3R9T	2451205
Valve Discharge:	1/4" SAE (3)	2110086
Compressor:	EMT6160Z	194QA67..AR
Fan Kit:	10W 230/31°/5B	1996580

Valve Suction:	3/8" SAE (2)	2110060
Dryer:	FILTER DRYER 6MM ODF	2730006
Electrical Kit:	ELCOM EMT6160Z	194QA6764A
Sight Glass:	SIGHT GLASS 6MM ODF	2464031

For additional accessories please contact our technical support

NOISE DATA

Sound power level: 0 dB (A)
Sound pressure level dB (A): 61 (at 1m) | 53 (at 5m) | 39 (at 10m)
 Maximum noise at maximum ambient temperature, 20°C return gas, configurations voltage and frequency.

ELECTRICAL DATA

Motor Type: CSIR
Locked Rotor Amperage (RLA): 13.5 A
Max.Current: 1.87 A
 At maximum evaporating temperature and maximum ambient temperature.

FAN MOTOR

Number: 1
Shaft Power: 10 W
Air Flow: 420 m³/hod
Blade Diameter: 230 mm

PERFORMANCE DATA

Standard: EN13215 / return gas 20°C, subcooling 3K

50 Hz

	Evaporating Temperature (°C)	Cooling Capacity (W)	Power Consumption (W)	Current Consumption (A)	Efficiency (W/W)
25°C Ambient Temperature	10°C	857	325.03	1.89	2.64
	5°C	732	295.18	1.78	2.48
	0°C	619	268.07	1.69	2.31
	-5°C	517	243.70	1.61	2.12
	Rated point -10°C	427	222.08	1.55	1.92
	-15°C	347	203.20	1.50	1.71
32°C Ambient Temperature	10°C	779	335.08	1.95	2.32
	5°C	666	304.31	1.85	2.19
	0°C	563	276.36	1.75	2.04
	-5°C	470	251.24	1.67	1.87
	Rated point -10°C	388	228.95	1.60	1.69
	-15°C	316	209.48	1.55	1.51
43°C Ambient Temperature	5°C	579	324.70	1.92	1.78
	0°C	499	296.64	1.81	1.68
	-5°C	421	268.48	1.71	1.57
	Rated point -10°C	348	242.00	1.63	1.44
	-15°C	282	218.99	1.56	1.29