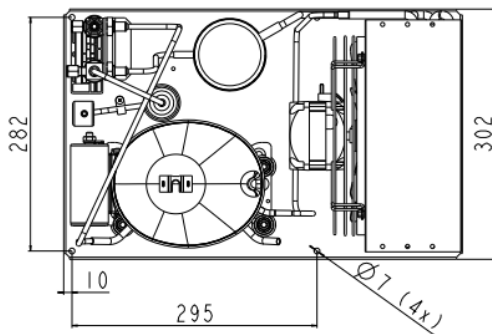
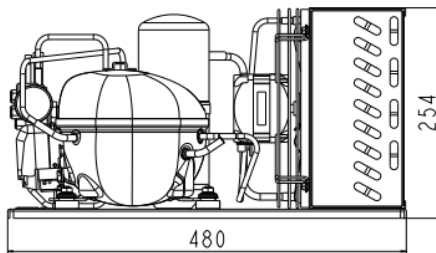


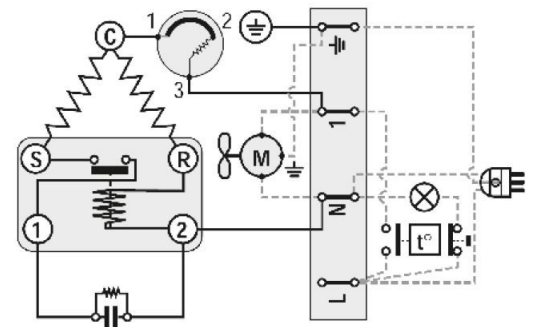
### GENERAL DATA

<b>Application:</b>	M/HBP
<b>Refrigerant:</b>	R134a
<b>Expansion Device:</b>	C-V
<b>Weight:</b>	17.4 kg
<b>Receiver:</b>	1.1 liter
<b>Voltage:</b>	<b>at 50 Hz</b> 220 - 240 V
<b>Height:</b>	254 mm
<b>Length:</b>	480 mm
<b>Width:</b>	302 mm
<b>Institute Approvals:</b>	<b>CE</b>

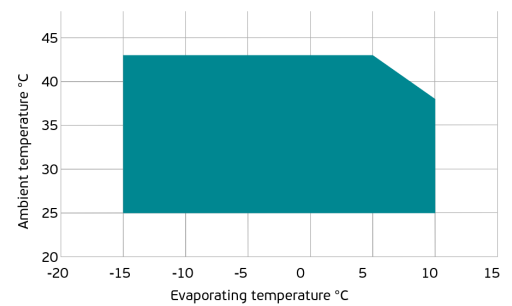
### EXTERNAL DIMENSIONS



### WIRING DIAGRAM



### OPERATING ENVELOPE



### COMPONENTS (SPARE PARTS)

<b>Condenser:</b>	3R9T	2451205
<b>Valve Discharge:</b>	1/4" SAE (3)	2110086
<b>Compressor:</b>	EMT6170Z	194RA67..AR
<b>Fan Kit:</b>	10W 230/31°/5B	1996580

<b>Valve Suction:</b>	3/8" SAE (2)	2110060
<b>Dryer:</b>	FILTER DRYER 6MM ODF	2730006
<b>Electrical Kit:</b>	ELCOM EMT6170Z	194RA67FOA
<b>Sight Glass:</b>	SIGHT GLASS 6MM ODF	2464031

For additional accessories please contact our technical support

**NOISE DATA**

**Sound power level:** 0 dB (A)  
**Sound pressure level dB (A):** 61 (at 1m) | 53 (at 5m) | 39 (at 10m)  
 Maximum noise at maximum ambient temperature, 20°C return gas, configurations voltage and frequency.

**ELECTRICAL DATA**

**Motor Type:** CSIR  
**Locked Rotor Amperage (RLA):** 10.4 A  
**Max.Current:** 2.13 A  
 At maximum evaporating temperature and maximum ambient temperature.

**FAN MOTOR**

**Number:** 1  
**Shaft Power:** 10 W  
**Air Flow:** 420 m<sup>3</sup>/hod  
**Blade Diameter:** 230 mm

**PERFORMANCE DATA**

Standard: EN13215 / return gas 20°C, subcooling 3K

50 Hz

	Evaporating Temperature (°C)	Cooling Capacity (W)	Power Consumption (W)	Current Consumption (A)	Efficiency (W/W)
<b>25°C</b> Ambient Temperature	10°C	893	395.93	2.30	2.26
	5°C	778	354.41	2.16	2.20
	0°C	667	317.12	2.04	2.10
	-5°C	562	284.04	1.94	1.98
	Rated point -10°C	461	255.18	1.86	1.81
	-15°C	365	230.52	1.80	1.58
<b>32°C</b> Ambient Temperature	10°C	836	400.06	2.31	2.09
	5°C	722	358.67	2.17	2.01
	0°C	617	321.74	2.05	1.92
	-5°C	520	289.27	1.96	1.80
	Rated point -10°C	432	261.26	1.88	1.65
	-15°C	352	237.72	1.82	1.48
<b>43°C</b> Ambient Temperature	5°C	619	375.44	2.22	1.65
	0°C	514	340.84	2.10	1.51
	-5°C	426	305.82	1.99	1.39
	Rated point -10°C	351	273.46	1.89	1.28
	-15°C	283	246.82	1.83	1.15