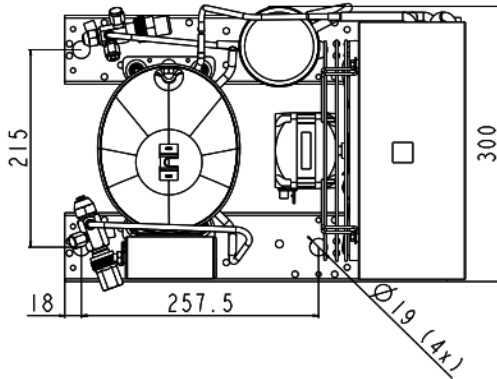
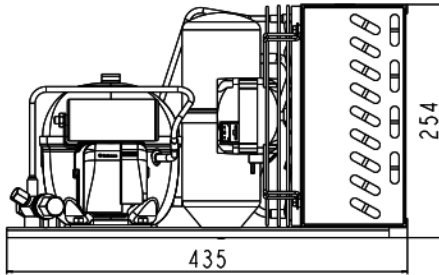


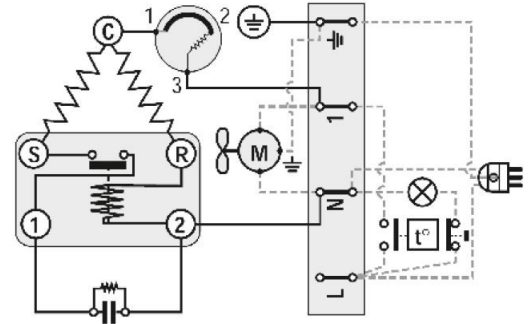
GENERAL DATA

Application:	M/HBP
Refrigerant:	R134a
Expansion Device:	C-V
Weight:	15.5 kg
Receiver:	1.1 liter
Voltage:	at 50 Hz 220 - 240 V
Height:	254 mm
Length:	435 mm
Width:	300 mm
Institute Approvals:	CE

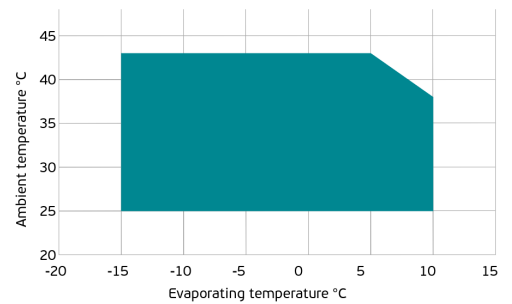
EXTERNAL DIMENSIONS



WIRING DIAGRAM



OPERATING ENVELOPE



COMPONENTS (SPARE PARTS)

Condenser:	3R9T	2451205
Valve Suction:	3/8" SAE (2)	2110024
Compressor:	EMT6170Z	194RA67..AR

Fan Kit:	10W 230/31°/5B	1996699
Valve Discharge:	1/4" SAE (3)	2110025
Electrical Kit:	ELCOM EMT6170Z	194RA67FOA

For additional accessories please contact our technical support

NOISE DATA

Sound power level: 0 dB (A)

Sound pressure level dB (A):
61 (at 1m) | 53 (at 5m) | 39 (at 10m)

Maximum noise at maximum ambient temperature,
20°C return gas, configurations voltage and frequency.

ELECTRICAL DATA

Motor Type: CSIR
Locked Rotor Amperage (RLA): 10.4 A
Max.Current: 2.13 A

At maximum evaporating temperature and maximum ambient temperature.

FAN MOTOR

Number: 1
Shaft Power: 10 W
Air Flow: 420 m³/hod
Blade Diameter: 230 mm

PERFORMANCE DATA

Standard: EN13215 / return gas 20°C, subcooling 3K

50 Hz

	Evaporating Temperature (°C)	Cooling Capacity (W)	Power Consumption (W)	Current Consumption (A)	Efficiency (W/W)
25°C Ambient Temperature	10°C	893	395.93	2.30	2.26
	5°C	778	354.41	2.16	2.20
	0°C	667	317.12	2.04	2.10
	-5°C	562	284.04	1.94	1.98
	Rated point -10°C	461	255.18	1.86	1.81
	-15°C	365	230.52	1.80	1.58
32°C Ambient Temperature	10°C	836	400.06	2.31	2.09
	5°C	722	358.67	2.17	2.01
	0°C	617	321.74	2.05	1.92
	-5°C	520	289.27	1.96	1.80
	Rated point -10°C	432	261.26	1.88	1.65
	-15°C	352	237.72	1.82	1.48
43°C Ambient Temperature	5°C	619	375.44	2.22	1.65
	0°C	514	340.84	2.10	1.51
	-5°C	426	305.82	1.99	1.39
	Rated point -10°C	351	273.46	1.89	1.28
	-15°C	283	246.82	1.83	1.15