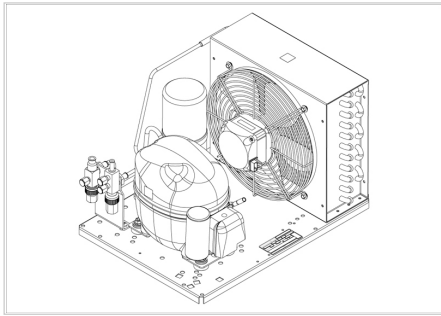


MODEL

**UNEK2134GK**

embraco



CE

**ENGINEERING CODE**  
558AA8212AA

**APPROVED REFRIGERANT**  
R452A

**POWER SUPPLY**  
220 - 240V 50Hz ~

**STANDARD CONDITIONS**  
EN13215\_SH10

**APPLICATION**  
LBP

**COOLING CAPACITY**  
181 W

**EFFICIENCY**  
0.63 W/W

DATA

## General Data

Weight	20 Kg
Receiver	1.1 L
Height	296 mm
Length	465 mm
Width	340 mm
Power Supply	220 - 240 V 50 Hz

## Electrical Data

Motor Type	CSIR
Locked Rotor Amperage (LRA)	16.1 A
Max Current	2.77 A

## Components

Condenser	3R11T	2451206
Fan Kit	16W 254/28/5B	1996579
Valve Suction	FLARE 3/8"	2110059
Valve Discharge	FLARE 1/4"	2110085
Compressor	NEK2134GK	958AA51...AM
Electrical Kit	ELKOM NEK2134GK	958AA51N1A

## Noise Data

<b>Sound Power Level</b>	64.3 dB (A)	-	-
<b>Sound Pressure Level</b>	<b>at 1 m</b>	<b>at 5 m</b>	<b>at 10 m</b>
	56.3 dB (A)	42.3 dB (A)	36.3 dB (A)

## Fan Motor

<b>Number</b>	1
<b>Shaft Power</b>	16 W
<b>Air Flow</b>	595 m <sup>3</sup> /h
<b>Blade diameter</b>	254 mm

## PERFORMANCE

## Rated Points

Ambient Temperature	Cooling Capacity	Power Consumption	Current	Efficiency
32.00°C	181 W	289 W	2.36 A	0.63 W/W

Test Condition: EN13215\_SH10, Return Gas 0 °C, Subcooling OK , Evaporation -35.00°C, Condensing 0 °C, Ambient 32.00°C

## Performance Curve Data

Ambient Temperature 25°C

Evaporating Temperature °C	Cooling Capacity W	Power Consumption W	Current A	Efficiency W/W
-40	168	263	2.39	0.64
-35	234	290	2.42	0.81
-30	312	318	2.48	0.98
-25	400	350	2.57	1.14
-20	502	383	2.69	1.31
-15	618	419	2.83	1.48
-10	749	456	3	1.64

Test Condition: EN13215\_SH10, LBP

### Ambient Temperature 32°C

Evaporating Temperature °C	Cooling Capacity W	Power Consumption W	Current A	Efficiency W/W
-40	119	261	2.3	0.46
-35	181	289	2.36	0.63
-30	255	321	2.45	0.8
-25	341	355	2.56	0.96
-20	441	393	2.7	1.12
-15	555	433	2.85	1.28
-10	685	475	3.02	1.44

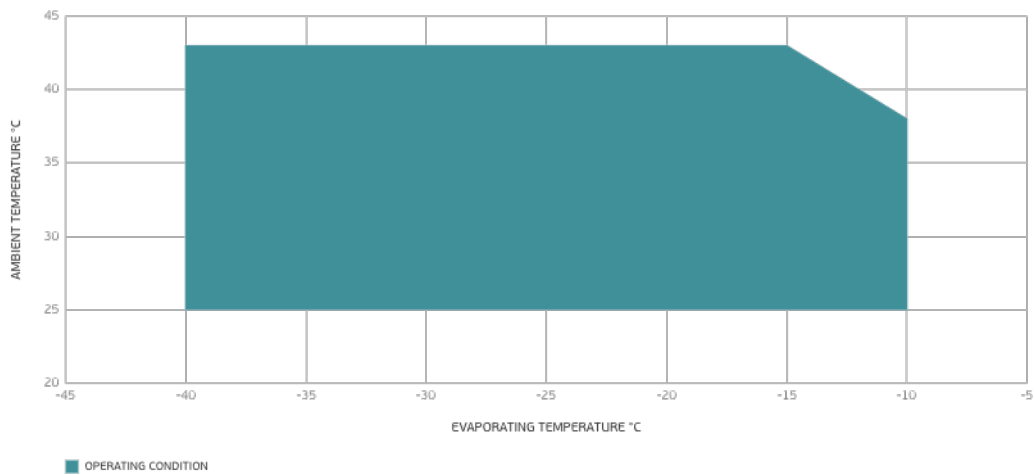
Test Condition: EN13215\_SH10, LBP

### Ambient Temperature 43°C

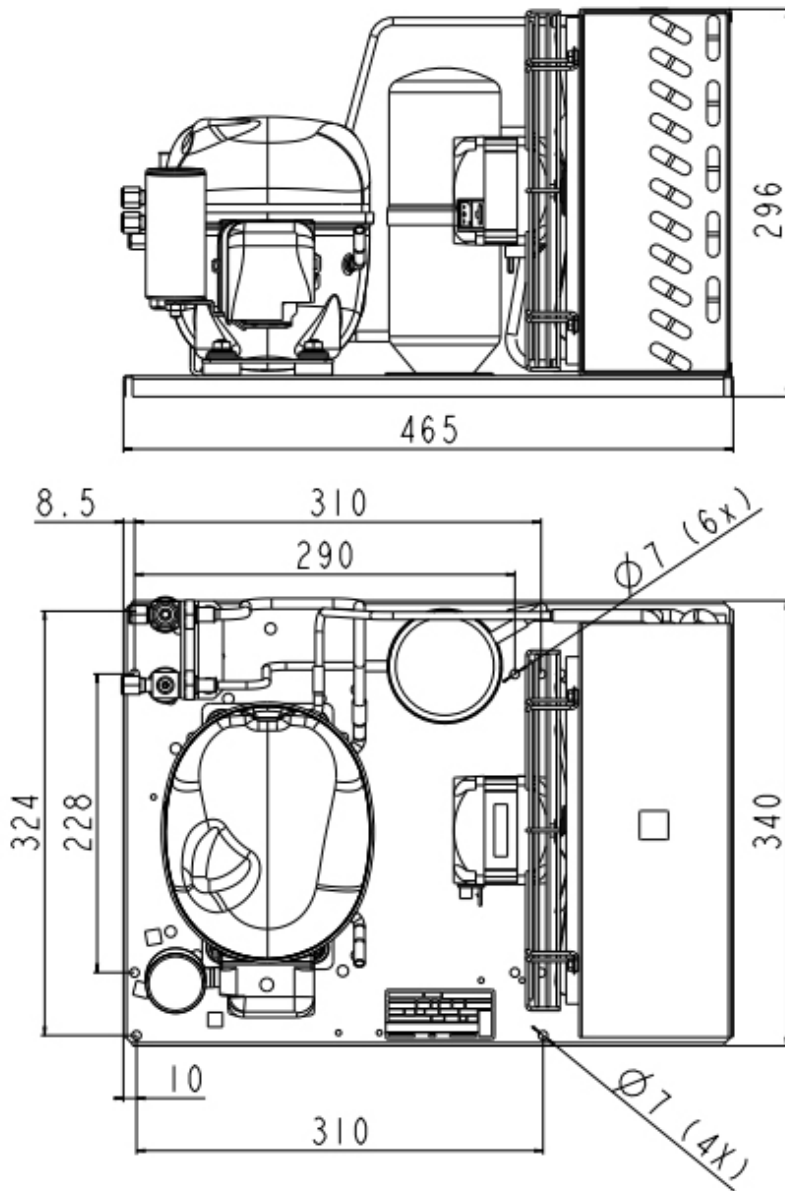
Evaporating Temperature °C	Cooling Capacity W	Power Consumption W	Current A	Efficiency W/W
-40	96	258	2.26	0.37
-35	132	291	2.35	0.45
-30	179	327	2.47	0.55
-25	241	368	2.6	0.65
-20	317	412	2.75	0.77
-15	409	460	2.92	0.89
-10	518	511	3.1	1.01

Test Condition: EN13215\_SH10, LBP

### Operating Envelope



## External Dimensions



Wiring Diagram

