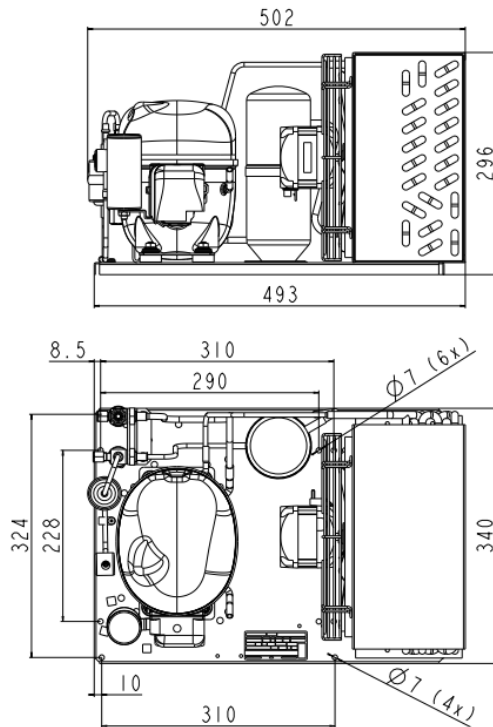


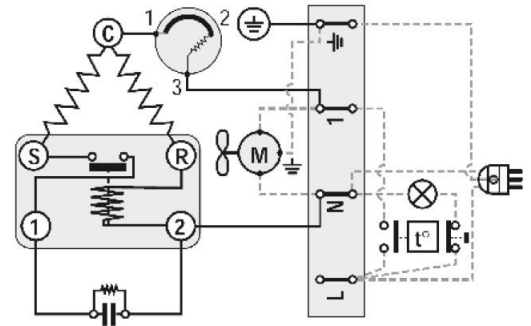
GENERAL DATA

Application:	LBP
Refrigerant:	R404A
Expansion Device:	C-V
Weight:	23 kg
Receiver:	1.1 liter
Voltage:	at 50 Hz 220 - 240 V
Height:	296 mm
Length:	502 mm
Width:	340 mm
Institute Approvals:	CE

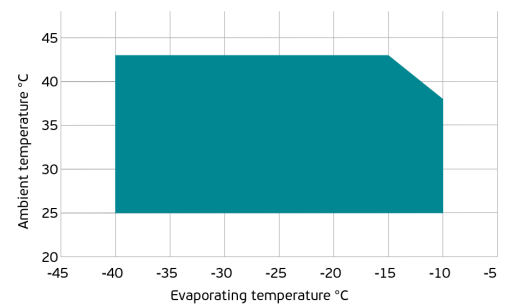
EXTERNAL DIMENSIONS



WIRING DIAGRAM



OPERATING ENVELOPE



COMPONENTS (SPARE PARTS)

Valve Suction:	3/8" SAE (2)	2110060
Fan Kit:	16W 254/28°/5B	1996579
Dryer:	FILTER DRYER 6MM ODF	2730006
Compressor:	NEK2168GK	959HA51..AM

Valve Discharge:	1/4" SAE (3)	2110086
Condenser:	4R11T	2451217
Sight Glass:	SIGHT GLASS 6MM ODF	2464031
Electrical Kit:	ELKOM NEK2168GK	959HA51N1A

For additional accessories please contact our technical support

NOISE DATA

Sound power level: 0 dB (A)
Sound pressure level dB (A): 0 (at 1m) | 0 (at 5m) | 0 (at 10m)
Maximum noise at maximum ambient temperature, 20°C return gas, configurations voltage and frequency.

ELECTRICAL DATA

Motor Type: CSIR
Locked Rotor Amperage (RLA): 18.5 A
Max.Current: 4.17 A
At maximum evaporating temperature and maximum ambient temperature.

FAN MOTOR

Number: 1
Shaft Power: 16 W
Air Flow: 460 m³/hod
Blade Diameter: 254 mm

PERFORMANCE DATA

Standard: EN13215 / return gas 20°C, subcooling 3K

50 Hz

	Evaporating Temperature (°C)	Cooling Capacity (W)	Power Consumption (W)	Current Consumption (A)	Efficiency (W/W)
25°C Ambient Temperature	-10°C	1 331	888.37	5.29	1.50
	-15°C	1 110	786.17	4.91	1.41
	-20°C	907	699.18	4.62	1.30
	-25°C	726	624.01	4.39	1.16
	-30°C	570	557.28	4.22	1.02
	Rated point -35°C	440	495.59	4.08	0.89
	-40°C	342	435.55	3.96	0.79
32°C Ambient Temperature	-10°C	1 210	915.84	5.46	1.32
	-15°C	1 009	810.48	5.07	1.24
	-20°C	825	720.80	4.76	1.14
	-25°C	660	643.31	4.53	1.03
	-30°C	518	574.52	4.35	0.90
	Rated point -35°C	400	510.92	4.21	0.78
	-40°C	311	449.02	4.09	0.69
43°C Ambient Temperature	-15°C	855	855.57	5.35	1.00
	-20°C	701	764.05	5.04	0.92
	-25°C	562	682.50	4.80	0.82
	-30°C	440	608.99	4.61	0.72
	Rated point -35°C	340	541.58	4.46	0.63
	-40°C	266	478.33	4.34	0.56