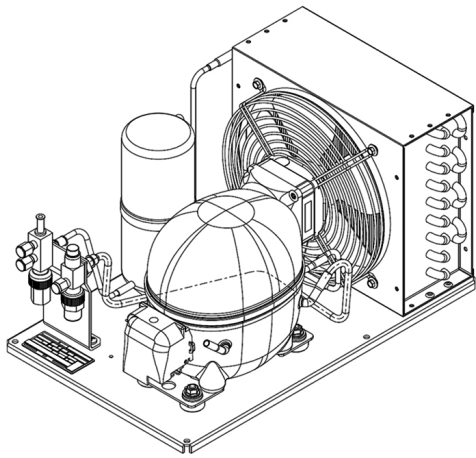


UNEK6170Z



ENGINEERING CODE
573DA8612AA



POWER SUPPLY
220-240 V 50 Hz



MOTOR TYPE
CSIR



REFRIGERANT
R-134a



APPLICATION
HBP



STANDARD
EN13215_SH10



COOLING CAPACITY
402 W



EFFICIENCY
1.55 W/W

CE

ECODESIGN
COMPLIANT

DATA

GENERAL DATA

Model UNEK6170Z

ELECTRICAL DATA

Locked Rotor Amperage (LRA) 12.40 A

Rated Load Amperage (RLA) 2.35 A

Maximum Overcurrent Protection (MOP) 5.29 A

Minimum Current Ampacity (MCA) 2.9 A

ACCESSORIES

Discharge valve SOLDER 1/4" 2110086

Suction valve SOLDER 3/8" 2110060

CONDENSING COMPONENTS

Compressor NEK6170Z M/HBP

Condenser 3R9T 2451205

Refrigerant R-134a

Expansion Device C-V

Fan Blade Diameter 230 mm

Fankit 10W 230/31/5B 1996580

MECHANICAL DATA

Air Flow	420 m ³ /h
Height	254 mm
Receiver	1.1 L
Shaft Power	10 W
Weight	20 Kg
Width	302 mm
Length	480 mm

PERFORMANCE

TESTED CONDITIONS

Tested Refrigerant	R-134a
Tested Application	HBP
Tested Standard	EN13215_SH10

RATED POINTS

Ambient Temperature °C	Evaporating Temperature °C	Cooling Capacity W	Efficiency W/W	Consumo de Potencia W
32	-10	402	1.55	260

Test Condition: Subcooling 3 K.

PERFORMANCE CURVE

Ambient Temperature 25°C

Evaporating Temperature °C	Cooling Capacity W	Efficiency W/W	Consumo de Potencia W
-15	356	1.54	232
-5	549	2.00	275
0	667	2.22	300
5	799	2.45	326
10	948	2.68	354

Test Condition: Subcooling 3 K.

PERFORMANCE CURVE

Ambient Temperature 32°C

Evaporating Temperature °C	Cooling Capacity W	Efficiency W/W	Consumo de Potencia W
-15	320	1.34	239
-5	496	1.75	283
0	603	1.95	309
5	725	2.16	336
10	862	2.36	365

Test Condition: Subcooling 3 K.

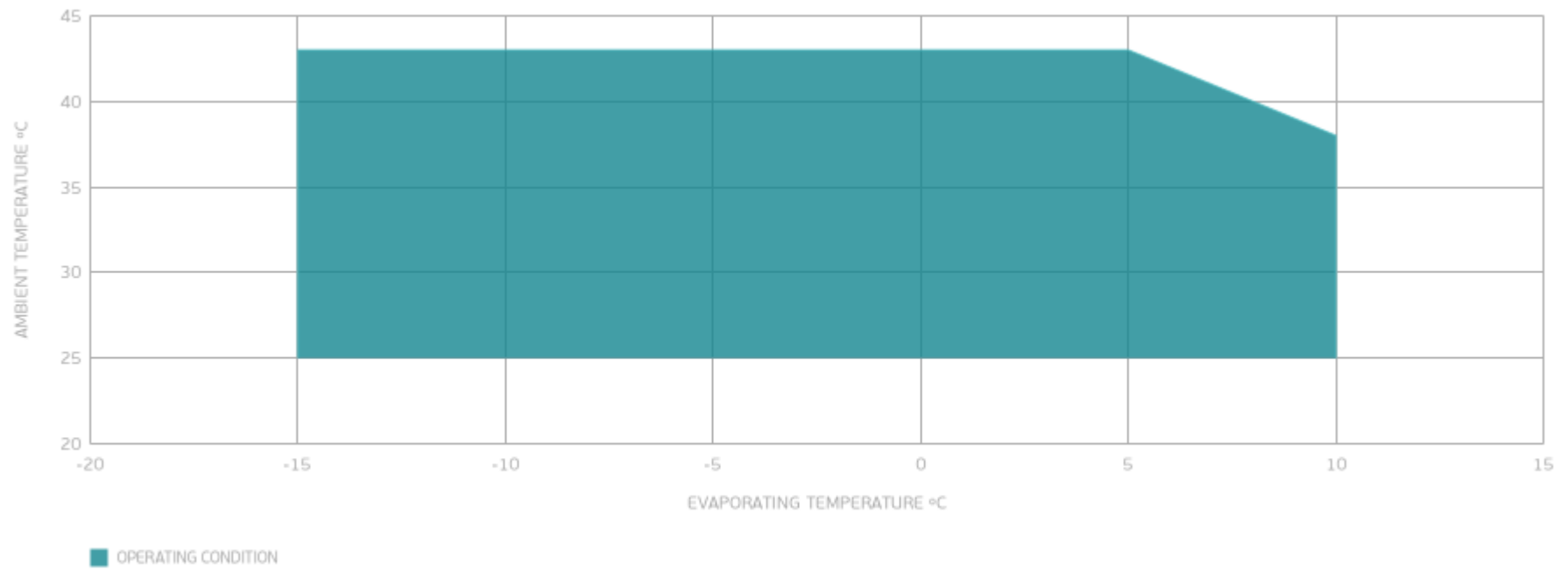
PERFORMANCE CURVE

Ambient Temperature 43°C

Evaporating Temperature °C	Cooling Capacity W	Efficiency W/W	Consumo de Potencia W
-15	247	0.99	250
-5	396	1.30	304
0	489	1.46	335
5	595	1.62	368

Test Condition: Subcooling 3 K.

ENVELOPE



EXTERNAL DIMENSIONS

