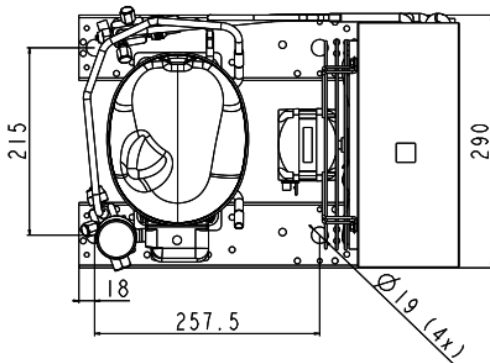
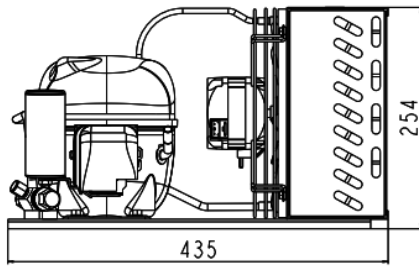


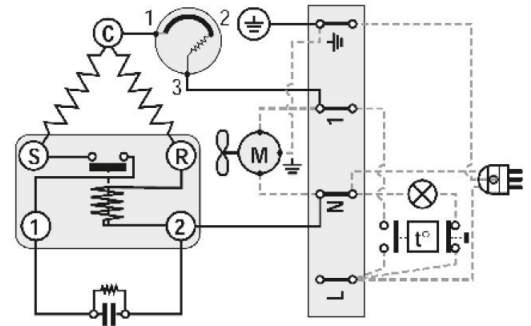
### GENERAL DATA

<b>Application:</b>	M/HBP
<b>Refrigerant:</b>	R134a
<b>Expansion Device:</b>	C-V
<b>Weight:</b>	17.8 kg
<b>Receiver:</b>	0 liter
<b>Voltage:</b>	<b>at 50 Hz</b> 220 - 240 V
<b>Height:</b>	254 mm
<b>Length:</b>	435 mm
<b>Width:</b>	290 mm
<b>Institute Approvals:</b>	<b>CE</b>

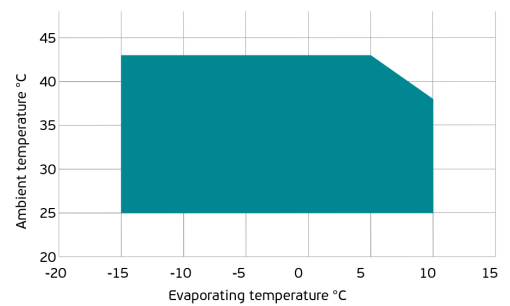
### EXTERNAL DIMENSIONS



### WIRING DIAGRAM



### OPERATING ENVELOPE



### COMPONENTS (SPARE PARTS)

<b>Condenser:</b>	3R9T	2451205
<b>Valve Suction:</b>	3/8" SAE (2)	2110024
<b>Compressor:</b>	NEK6170Z	267DA51..AM

<b>Fan Kit:</b>	10W 230/31°/5B	1996699
<b>Valve Discharge:</b>	1/4" SAE (3)	2110025
<b>Electrical Kit:</b>	ELKOM NEK6170Z	267DA51N1A

For additional accessories please contact our technical support

**NOISE DATA**

**Sound power level:** 61 dB (A)  
**Sound pressure level dB (A):** 53 (at 1m) | 39 (at 5m) | 33 (at 10m)  
Maximum noise at maximum ambient temperature, 20°C return gas, configurations voltage and frequency.

**ELECTRICAL DATA**

**Motor Type:** CSIR  
**Locked Rotor Amperage (RLA):** 12.4 A  
**Max.Current:** 2.35 A  
At maximum evaporating temperature and maximum ambient temperature.

**FAN MOTOR**

**Number:** 1  
**Shaft Power:** 10 W  
**Air Flow:** 420 m<sup>3</sup>/hod  
**Blade Diameter:** 230 mm

**PERFORMANCE DATA**

Standard: EN13215 / return gas 20°C, subcooling 3K

50 Hz

	Evaporating Temperature (°C)	Cooling Capacity (W)	Power Consumption (W)	Current Consumption (A)	Efficiency (W/W)
25°C Ambient Temperature	10°C	948	353.99	2.24	2.68
	5°C	808	325.35	2.15	2.48
	0°C	681	298.66	2.06	2.28
	-5°C	565	273.92	1.98	2.06
	Rated point -10°C	461	251.14	1.92	1.84
	-15°C	370	230.31	1.87	1.61
32°C Ambient Temperature	10°C	862	364.94	2.31	2.36
	5°C	735	335.41	2.21	2.19
	0°C	619	307.89	2.12	2.01
	-5°C	514	282.39	2.05	1.82
	Rated point -10°C	419	258.90	1.98	1.62
	-15°C	336	237.43	1.92	1.42
43°C Ambient Temperature	5°C	609	361.24	2.31	1.69
	0°C	505	334.25	2.20	1.51
	-5°C	414	304.41	2.10	1.36
	Rated point -10°C	334	274.95	2.01	1.21
	-15°C	264	249.12	1.94	1.06