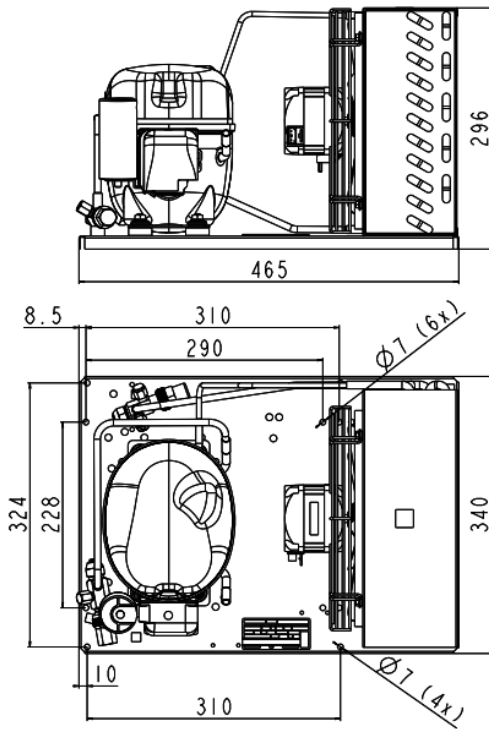


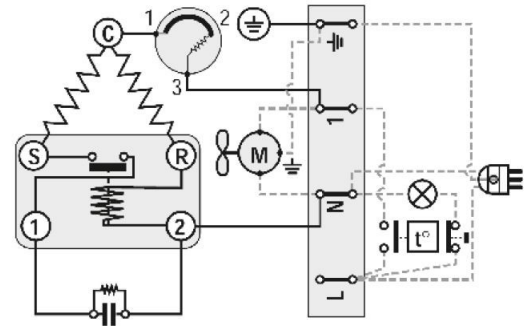
### GENERAL DATA

<b>Application:</b>	M/HBP
<b>Refrigerant:</b>	R134a
<b>Expansion Device:</b>	C-V
<b>Weight:</b>	20.5 kg
<b>Receiver:</b>	0 liter
<b>Voltage:</b>	<b>at 50 Hz</b> 220 - 240 V
<b>Height:</b>	296 mm
<b>Length:</b>	465 mm
<b>Width:</b>	340 mm
<b>Institute Approvals:</b>	<b>CE</b>

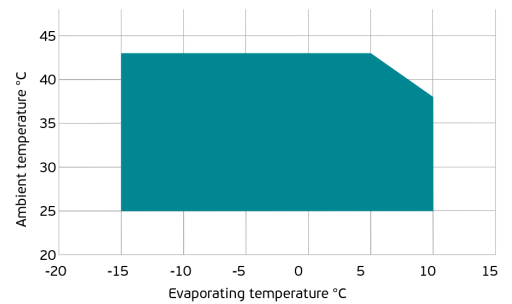
### EXTERNAL DIMENSIONS



### WIRING DIAGRAM



### OPERATING ENVELOPE



### COMPONENTS (SPARE PARTS)

<b>Condenser:</b>	3R11T	2451206
<b>Valve Suction:</b>	3/8" SAE (2)	2110024
<b>Compressor:</b>	NEK6187Z	268AA51..AM

<b>Fan Kit:</b>	16W 254/28°/5B	1996610
<b>Valve Discharge:</b>	1/4" SAE (3)	2110025
<b>Electrical Kit:</b>	ELKOM NEK6187Z	268AA51N1A

For additional accessories please contact our technical support

### NOISE DATA

**Sound power level:** 64 dB (A)

**Sound pressure level dB (A):**  
56 (at 1m) | 42 (at 5m) | 36 (at 10m)

Maximum noise at maximum ambient temperature,  
20°C return gas, configurations voltage and frequency.

### ELECTRICAL DATA

**Motor Type:** CSIR  
**Locked Rotor Amperage (RLA):** 16.1 A  
**Max.Current:** 2.86 A

At maximum evaporating temperature and maximum ambient temperature.

### FAN MOTOR

**Number:** 1  
**Shaft Power:** 16 W  
**Air Flow:** 320 m<sup>3</sup>/hod  
**Blade Diameter:** 254 mm

### PERFORMANCE DATA

Standard: EN13215 / return gas 20°C, subcooling 3K

50 Hz

	Evaporating Temperature (°C)	Cooling Capacity (W)	Power Consumption (W)	Current Consumption (A)	Efficiency (W/W)
25°C Ambient Temperature	10°C	1 391	563.45	6.47	2.47
	5°C	1 178	514.51	6.13	2.29
	0°C	985	468.86	5.83	2.10
	-5°C	813	427.32	5.57	1.90
	Rated point -10°C	662	390.72	5.36	1.69
	-15°C	535	359.87	5.21	1.49
32°C Ambient Temperature	10°C	1 265	580.88	6.67	2.18
	5°C	1 071	530.42	6.33	2.02
	0°C	895	483.36	6.01	1.85
	-5°C	739	440.54	5.74	1.68
	Rated point -10°C	602	402.80	5.52	1.49
	-15°C	486	371.00	5.37	1.31
43°C Ambient Temperature	5°C	907	560.01	6.68	1.62
	0°C	761	512.36	6.37	1.49
	-5°C	628	467.34	6.08	1.34
	Rated point -10°C	512	426.97	5.85	1.20
	-15°C	413	393.26	5.70	1.05