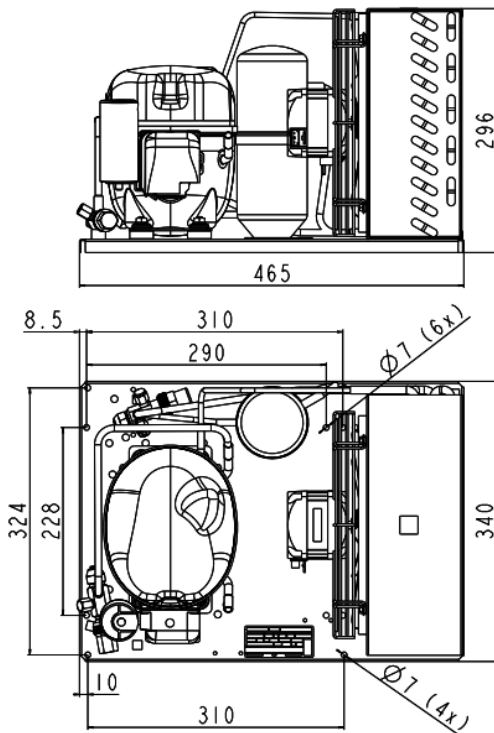


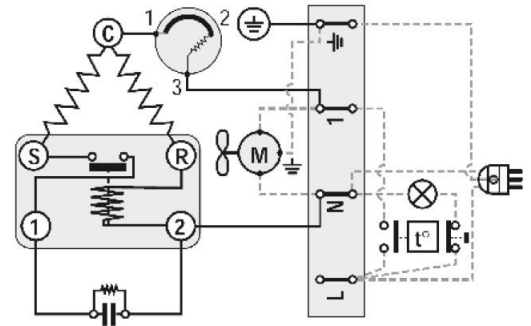
GENERAL DATA

Application:	M/HBP
Refrigerant:	R134a
Expansion Device:	C-V
Weight:	21 kg
Receiver:	1.1 liter
Voltage:	at 50 Hz 220 - 240 V
Height:	296 mm
Length:	465 mm
Width:	340 mm
Institute Approvals:	CE

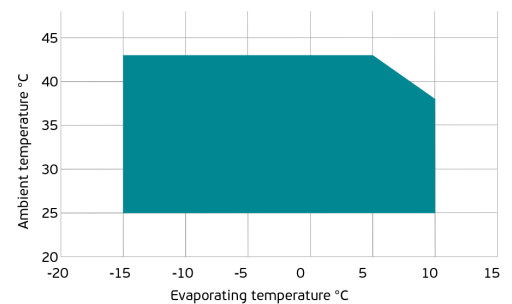
EXTERNAL DIMENSIONS



WIRING DIAGRAM



OPERATING ENVELOPE



COMPONENTS (SPARE PARTS)

Condenser:	3R11T	2451206
Valve Suction:	3/8" SAE (2)	2110024
Compressor:	NEK6187Z	268AA51..AM

Fan Kit:	16W 254/28°/5B	1996610
Valve Discharge:	1/4" SAE (3)	2110025
Electrical Kit:	ELKOM NEK6187Z	268AA51N1A

For additional accessories please contact our technical support

NOISE DATA

Sound power level: 64 dB (A)
Sound pressure level dB (A): 56 (at 1m) | 42 (at 5m) | 36 (at 10m)
Maximum noise at maximum ambient temperature, 20°C return gas, configurations voltage and frequency.

ELECTRICAL DATA

Motor Type: CSIR
Locked Rotor Amperage (RLA): 16.1 A
Max.Current: 2.86 A
At maximum evaporating temperature and maximum ambient temperature.

FAN MOTOR

Number: 1
Shaft Power: 16 W
Air Flow: 320 m³/hod
Blade Diameter: 254 mm

PERFORMANCE DATA

Standard: EN13215 / return gas 20°C, subcooling 3K

50 Hz

	Evaporating Temperature (°C)	Cooling Capacity (W)	Power Consumption (W)	Current Consumption (A)	Efficiency (W/W)
25°C Ambient Temperature	10°C	1 391	563.45	6.47	2.47
	5°C	1 178	514.51	6.13	2.29
	0°C	985	468.86	5.83	2.10
	-5°C	813	427.32	5.57	1.90
	Rated point -10°C	662	390.72	5.36	1.69
	-15°C	535	359.87	5.21	1.49
32°C Ambient Temperature	10°C	1 265	580.88	6.67	2.18
	5°C	1 071	530.42	6.33	2.02
	0°C	895	483.36	6.01	1.85
	-5°C	739	440.54	5.74	1.68
	Rated point -10°C	602	402.80	5.52	1.49
	-15°C	486	371.00	5.37	1.31
43°C Ambient Temperature	5°C	907	560.01	6.68	1.62
	0°C	761	512.36	6.37	1.49
	-5°C	628	467.34	6.08	1.34
	Rated point -10°C	512	426.97	5.85	1.20
	-15°C	413	393.26	5.70	1.05