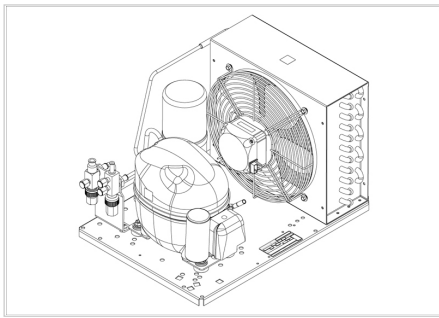


MODEL

UNEK6210GK**embraco**

CE

ENGINEERING CODE
674CA8212AA

APPROVED REFRIGERANT
R449A

POWER SUPPLY
220 - 240V 50Hz ~

STANDARD CONDITIONS
EN13215_SH10

APPLICATION
M/HBP

COOLING CAPACITY
585 W

EFFICIENCY
1.31 W/W

DATA

General Data

Weight	21.4 Kg
Receiver	1.1 L
Height	296 mm
Length	465 mm
Width	340 mm
Power Supply	220 - 240 V 50 Hz

Electrical Data

Motor Type	CSIR
Locked Rotor Amperage (LRA)	16.1 A
Max Current	3.91 A

Components

Condenser	3R11T	2451206
Fan Kit	16W 254/28/5B	1996610
Valve Suction	FLARE 3/8"	2110059
Valve Discharge	FLARE 1/4"	2110085
Compressor	NEK6210GK	958CA51...AM
Electrical Kit	ELKOM NEK6210GK	958CA51N1A

Noise Data

Sound Power Level	65.1 dB (A)	-	-
Sound Pressure Level	at 1 m	at 5 m	at 10 m
	57.1 dB (A)	43.1 dB (A)	37.1 dB (A)

Fan Motor

Number	1
Shaft Power	16 W
Air Flow	595 m ³ /h
Blade diameter	254 mm

PERFORMANCE

Rated Points

Ambient Temperature	Cooling Capacity	Power Consumption	Current	Efficiency
32.00°C	585 W	448 W	2.94 A	1.31 W/W

Test Condition: EN13215_SH10, Return Gas 0 °C, Subcooling OK , Evaporation -10.00°C, Condensing 0 °C, Ambient 32.00°C

Performance Curve Data

Ambient Temperature 25°C

Evaporating Temperature °C	Cooling Capacity W	Power Consumption W	Current A	Efficiency W/W
-20	385	356	2.59	1.08
-15	511	390	2.71	1.31
-10	654	425	2.84	1.54
-5	815	460	2.98	1.77
0	999	498	3.13	2
5	1209	538	3.29	2.25
10	1448	581	3.47	2.49

Test Condition: EN13215_SH10, M/HBP

Ambient Temperature 32°C

Evaporating Temperature °C	Cooling Capacity W	Power Consumption W	Current A	Efficiency W/W
-20	348	376	2.68	0.92
-15	460	411	2.8	1.12
-10	585	448	2.94	1.31
-5	726	489	3.09	1.48
0	885	533	3.26	1.66
5	1067	581	3.46	1.84
10	1275	635	3.69	2.01

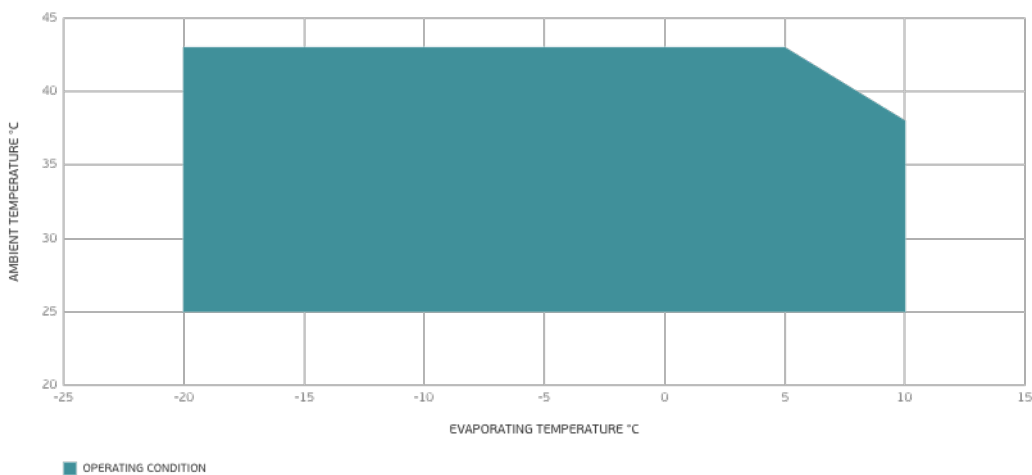
Test Condition: EN13215_SH10, M/HBP

Ambient Temperature 43°C

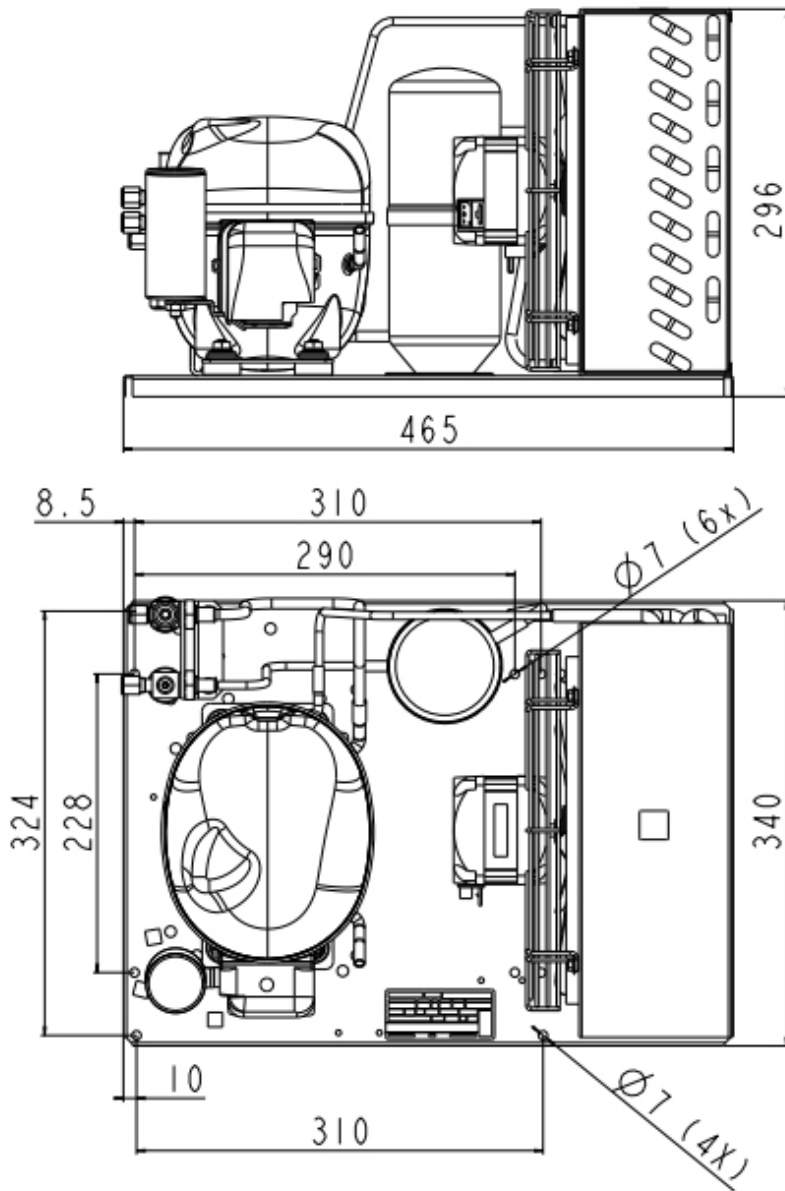
Evaporating Temperature °C	Cooling Capacity W	Power Consumption W	Current A	Efficiency W/W
-20	267	403	2.74	0.66
-15	365	440	2.88	0.83
-10	469	483	3.06	0.97
-5	584	533	3.26	1.1
0	712	589	3.5	1.21
5	858	652	3.79	1.32
10	1025	724	4.11	1.42

Test Condition: EN13215_SH10, M/HBP

Operating Envelope



External Dimensions



Wiring Diagram

