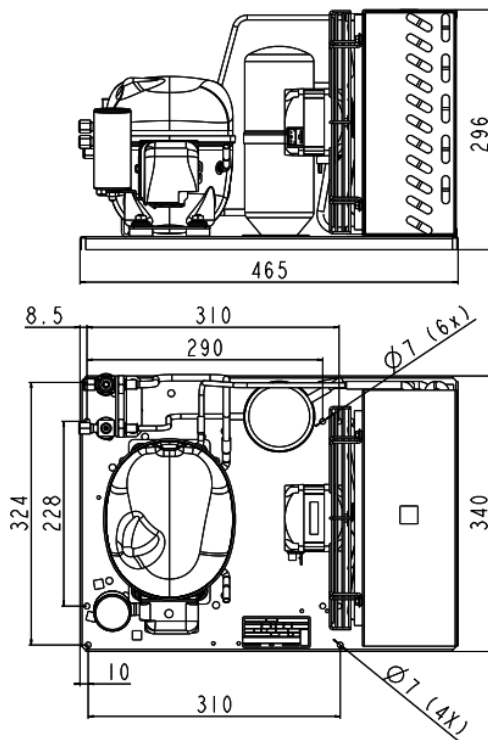


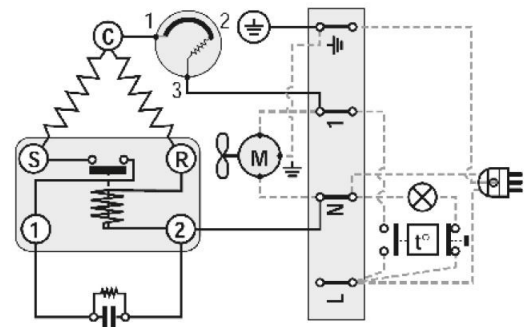
GENERAL DATA

Application:	M/HBP
Refrigerant:	R134a
Expansion Device:	C-V
Weight:	21.7 kg
Receiver:	1.1 liter
Voltage:	at 50 Hz 220 - 240 V
Height:	296 mm
Length:	465 mm
Width:	340 mm
Institute Approvals:	CE

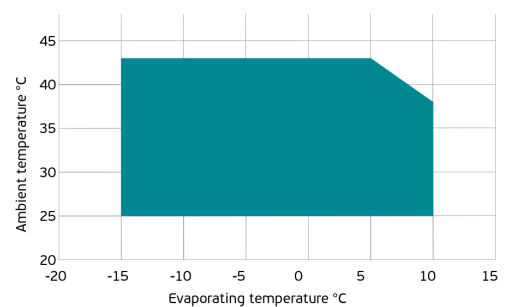
EXTERNAL DIMENSIONS



WIRING DIAGRAM



OPERATING ENVELOPE



COMPONENTS (SPARE PARTS)

Condenser:	3R11T	2451206
Valve Suction:	3/8" SAE (2)	2110059
Compressor:	NEK6210Z	268BA51..AN

Fan Kit:	16W 254/28°/5B	1996610
Valve Discharge:	1/4" SAE (3)	2110085
Electrical Kit:	ELKOM NEK6210Z	268BA51N1A

For additional accessories please contact our technical support

NOISE DATA

Sound power level: 65 dB (A)

Sound pressure level dB (A):

57 (at 1m) | 43 (at 5m) | 37 (at 10m)

Maximum noise at maximum ambient temperature, 20°C return gas, configurations voltage and frequency.

ELECTRICAL DATA

Motor Type: CSIR

Locked Rotor Amperage (RLA): 16.1 A

Max.Current: 3.3 A

At maximum evaporating temperature and maximum ambient temperature.

FAN MOTOR

Number: 1

Shaft Power: 16 W

Air Flow: 595 m³/hod

Blade Diameter: 254 mm

PERFORMANCE DATA

Standard: EN13215 / return gas 20°C, subcooling 3K

50 Hz

	Evaporating Temperature (°C)	Cooling Capacity (W)	Power Consumption (W)	Current Consumption (A)	Efficiency (W/W)
25°C Ambient Temperature	10°C	1 235	570.22	3.43	2.17
	5°C	1 049	509.29	3.22	2.06
	0°C	919	465.72	3.07	1.97
	-5°C	798	426.56	2.94	1.87
	Rated point -10°C	639	378.86	2.79	1.69
	-15°C	396	309.66	2.60	1.28
32°C Ambient Temperature	10°C	1 123	587.86	3.54	1.91
	5°C	954	525.04	3.32	1.82
	0°C	835	480.12	3.16	1.74
	-5°C	725	439.75	3.03	1.65
	Rated point -10°C	581	390.58	2.88	1.49
	-15°C	360	319.24	2.68	1.13
43°C Ambient Temperature	5°C	823	560.01	3.44	1.47
	0°C	699	506.62	3.23	1.38
	-5°C	578	456.41	3.06	1.27
	Rated point -10°C	464	410.38	2.92	1.13
	-15°C	361	369.54	2.80	0.98