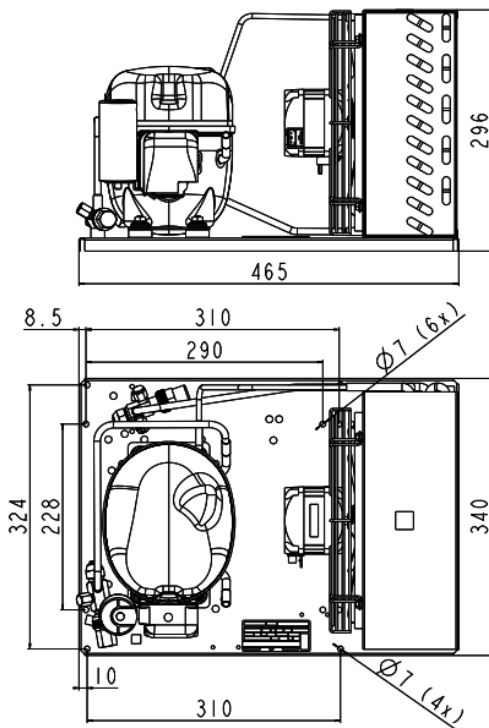


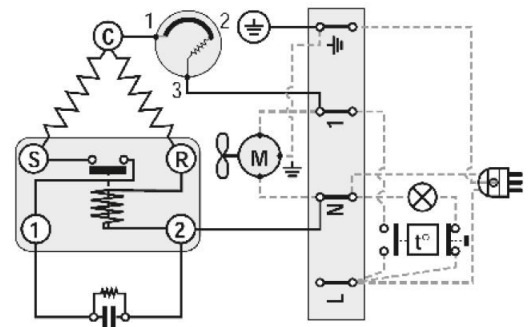
GENERAL DATA

Application:	M/HBP
Refrigerant:	R134a
Expansion Device:	C-V
Weight:	19.7 kg
Receiver:	0 liter
Voltage:	at 50 Hz 220 - 240 V
Height:	296 mm
Length:	465 mm
Width:	340 mm
Institute Approvals:	CE

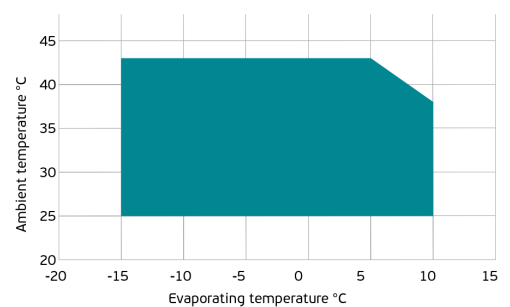
EXTERNAL DIMENSIONS



WIRING DIAGRAM



OPERATING ENVELOPE



COMPONENTS (SPARE PARTS)

Condenser:	3R11T	2451206
Valve Suction:	3/8" SAE (2)	2110024
Compressor:	NEK6212Z	269AA51..AM

Fan Kit:	16W 254/28°/5B	1996579
Valve Discharge:	1/4" SAE (3)	2110025
Electrical Kit:	ELKOM NEK6212Z	269AA51N1A

For additional accessories please contact our technical support

NOISE DATA

Sound power level: 65 dB (A)

Sound pressure level dB (A):
57 (at 1m) | 43 (at 5m) | 37 (at 10m)

Maximum noise at maximum ambient temperature,
20°C return gas, configurations voltage and frequency.

ELECTRICAL DATA

Motor Type: CSIR

Locked Rotor Amperage (RLA): 19.5 A

Max.Current: 3.95 A
At maximum evaporating temperature and maximum ambient temperature.

FAN MOTOR

Number: 1
Shaft Power: 16 W
Air Flow: 595 m³/hod
Blade Diameter: 254 mm

PERFORMANCE DATA

Standard: EN13215 / return gas 20°C, subcooling 3K

50 Hz

	Evaporating Temperature (°C)	Cooling Capacity (W)	Power Consumption (W)	Current Consumption (A)	Efficiency (W/W)
25°C Ambient Temperature	10°C	1 482	645.95	3.98	2.29
	5°C	1 264	585.41	3.77	2.16
	0°C	1 066	529.63	3.58	2.01
	-5°C	888	478.60	3.42	1.86
	Rated point -10°C	730	432.32	3.29	1.69
	-15°C	593	390.79	3.19	1.52
32°C Ambient Temperature	10°C	1 348	665.93	4.10	2.02
	5°C	1 149	603.52	3.88	1.90
	0°C	969	546.01	3.69	1.77
	-5°C	807	493.40	3.53	1.64
	Rated point -10°C	664	445.69	3.40	1.49
	-15°C	539	402.88	3.29	1.34
43°C Ambient Temperature	5°C	987	637.61	4.00	1.55
	0°C	836	578.26	3.77	1.45
	-5°C	691	521.05	3.58	1.33
	Rated point -10°C	560	467.74	3.43	1.20
	-15°C	449	420.10	3.31	1.07