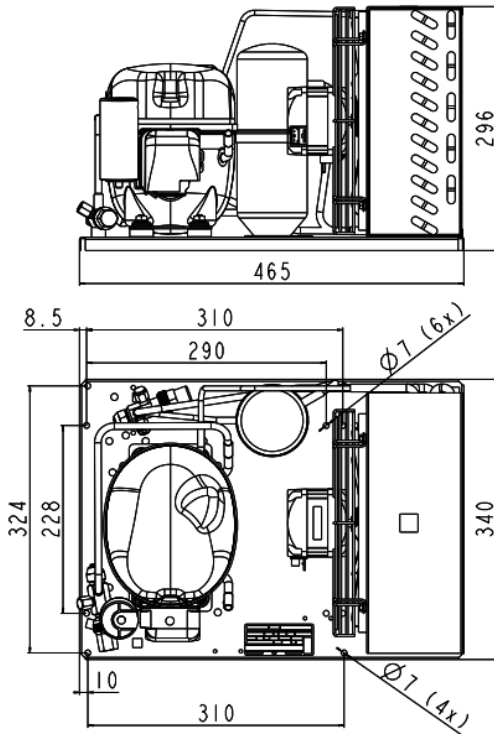


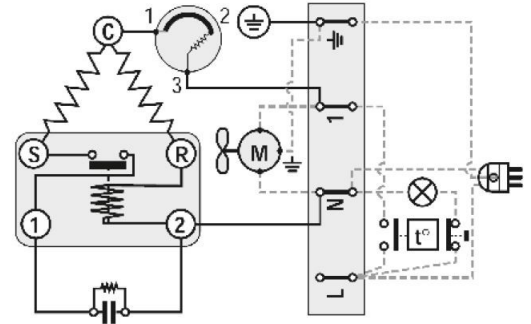
GENERAL DATA

Application:	M/HBP
Refrigerant:	R134a
Expansion Device:	C-V
Weight:	21.7 kg
Receiver:	1.1 liter
Voltage:	at 50 Hz 220 - 240 V
Height:	296 mm
Length:	465 mm
Width:	340 mm
Institute Approvals:	CE

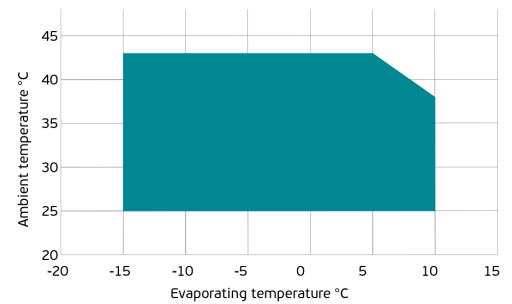
EXTERNAL DIMENSIONS



WIRING DIAGRAM



OPERATING ENVELOPE



COMPONENTS (SPARE PARTS)

Condenser:	3R11T	2451206
Compressor:	NEK6214Z	269JA51..AN
Valve Suction:	3/8" SAE (2)	2110024

Fan Kit:	16W 254/28°/5B	1996579
Electrical Kit:	ELKOM NEK6214Z	269JA51N1A
Valve Discharge:	1/4" SAE (3)	2110025

For additional accessories please contact our technical support

NOISE DATA

Sound power level: 65 dB (A)
Sound pressure level dB (A): 57 (at 1m) | 43 (at 5m) | 37 (at 10m)
Maximum noise at maximum ambient temperature, 20°C return gas, configurations voltage and frequency.

ELECTRICAL DATA

Motor Type: CSIR
Locked Rotor Amperage (RLA): 21.2 A
Max.Current: 5.17 A
At maximum evaporating temperature and maximum ambient temperature.

FAN MOTOR

Number: 1
Shaft Power: 16 W
Air Flow: 595 m³/hod
Blade Diameter: 254 mm

PERFORMANCE DATA

Standard: EN13215 / return gas 20°C, subcooling 3K

50 Hz

	Evaporating Temperature (°C)	Cooling Capacity (W)	Power Consumption (W)	Current Consumption (A)	Efficiency (W/W)
25°C Ambient Temperature	10°C	1 655	782.09	4.88	2.12
	5°C	1 423	704.18	4.62	2.02
	0°C	1 210	633.47	4.40	1.91
	-5°C	1 015	569.96	4.22	1.78
	Rated point -10°C	839	513.65	4.08	1.63
	-15°C	681	464.55	3.98	1.47
32°C Ambient Temperature	10°C	1 505	806.28	5.04	1.87
	5°C	1 294	725.96	4.77	1.78
	0°C	1 100	653.06	4.54	1.68
	-5°C	923	587.59	4.35	1.57
	Rated point -10°C	762	529.54	4.21	1.44
	-15°C	619	478.92	4.11	1.29
43°C Ambient Temperature	5°C	1 088	777.26	4.97	1.40
	0°C	921	703.73	4.68	1.31
	-5°C	767	629.25	4.44	1.22
	Rated point -10°C	627	559.38	4.24	1.12
	-15°C	501	499.67	4.09	1.00