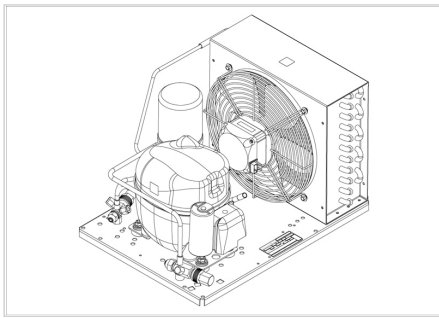


MODEL


UNEU6187Z

embraco





APPROVALS




 **ENGINEERING CODE**
669IN5212AA

 **APPROVED REFRIGERANT**
R134a

 **POWER SUPPLY**
200 - 240V 50Hz ~

 **STANDARD CONDITIONS**
EN13215_SH10

 **APPLICATION**
M/HBP

 **COOLING CAPACITY**
527 W

 **EFFICIENCY**
1.77 W/W

DATA

General Data

Weight	20.9 Kg
Receiver	1.1 L
Height	296 mm
Length	465 mm
Width	340 mm
Power Supply	200 - 240 V 50 Hz / 230 V 60 Hz

Electrical Data

Motor Type	CSIR
Locked Rotor Amperage (LRA)	13 A
Max Current	2.86 A

Spare Parts

Condenser	3R11T	2451206
Valve Suction	FLARE 3/8"	2110024
Valve Discharge	FLARE 1/4"	2110025
Compressor	NEU6187Z	267JN51..AN
Electrical Kit	ELKOM NEU6187Z	267JN51M1AJ
Fan Kit	16W 254/28°/5L	1996579

Fan Motor

Number	1
Shaft Power	16 W
Air Flow	320 m³/h
Blade diameter	254 mm

PERFORMANCE

Rated Points

Ambient Temperature	Cooling Capacity	Power Consumption	Current	Efficiency
32.00°C	527 W	298 W	2.09 A	1.77 W/W

Test Condition: EN13215_SH10, Return Gas 0 °C, Subcooling 3K , Evaporation -10.00°C, Condensing 0 °C, Ambient 32.00°C

Performance Curve Data

Ambient Temperature 25°C

Evaporating Temperature °C	Cooling Capacity W	Power Consumption W	Current A	Efficiency W/W
-15	456	262	1.95	1.74
-10	569	288	2.04	1.97
-5	700	317	2.15	2.2
0	848	349	2.29	2.43
5	1015	384	2.44	2.65
10	1202	420	2.61	2.86

Test Condition: EN13215_SH10, M/HBP

Ambient Temperature 32°C

Evaporating Temperature °C	Cooling Capacity W	Power Consumption W	Current A	Efficiency W/W
-15	423	269	1.98	1.57
-10	527	298	2.09	1.77
-5	647	329	2.21	1.96
0	784	363	2.35	2.16
5	940	400	2.51	2.35
10	1117	438	2.68	2.55

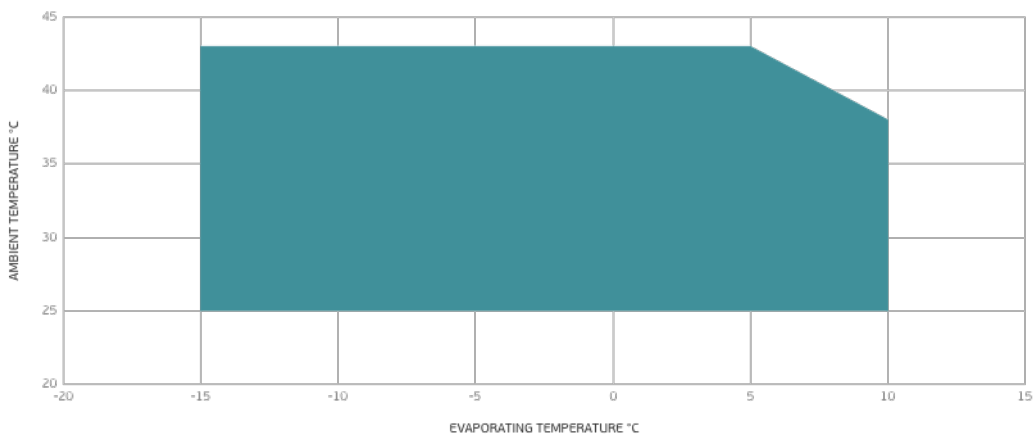
Test Condition: EN13215_SH10, M/HBP

Ambient Temperature 43°C

Evaporating Temperature °C	Cooling Capacity W	Power Consumption W	Current A	Efficiency W/W
-15	323	280	2	1.15
-10	417	316	2.14	1.32
-5	527	354	2.3	1.49
0	653	394	2.47	1.66
5	798	437	2.66	1.83
10	962	481	2.86	2

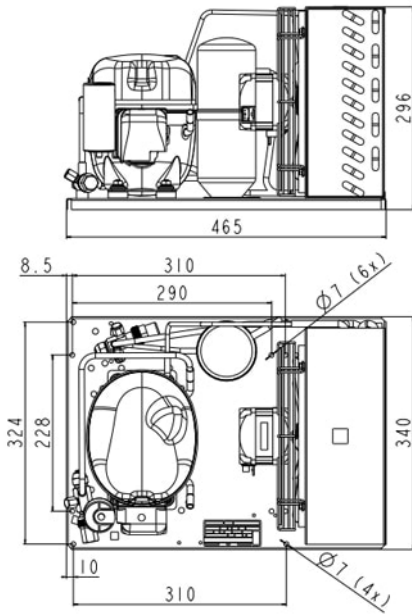
Test Condition: EN13215_SH10, M/HBP

Operating Envelope



■ OPERATING CONDITION

External Dimensions



Wiring Diagram

