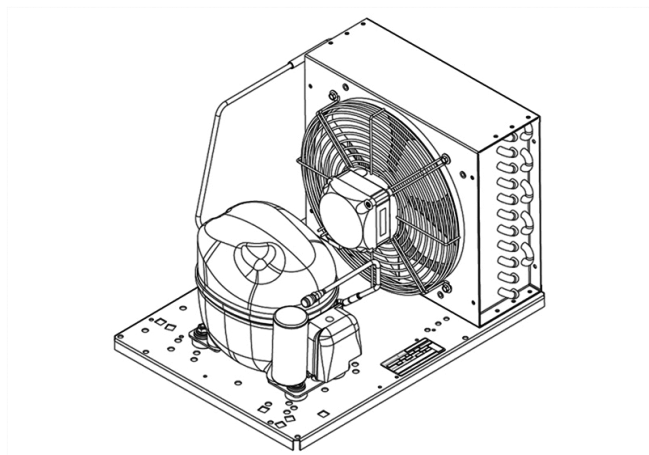


UNEU6210Z



**ENGINEERING CODE**  
668HA8212AA



**POWER SUPPLY**  
220-240 V 50 Hz



**MOTOR TYPE**  
CSIR



**REFRIGERANT**  
R-134a



**APPLICATION**  
HBP



**STANDARD**  
EN13215\_SH10



**COOLING CAPACITY**  
608 W



**EFFICIENCY**  
1.54 W/W

CE

ECODESIGN COMPLIANT

DATA

GENERAL DATA

**Model** UNEU6210Z

ACCESSORIES

**Discharge valve** FLARE 1/4" 2110085

**Suction valve** FLARE 3/8" 2110059

CONDENSING COMPONENTS

**Compressor** NEU6210Z M/HBP

**Condenser** 3R11T 2451206

**Refrigerant** R-134a

**Expansion Device** C-V

**Fan Blade Diameter** 254

**Fankit** 16W 254/28/5B 1996579

## MECHANICAL DATA

Air Flow	595 m <sup>3</sup> /h
Height	296 mm
Receiver	1.1 L
Shaft Power	16
Weight	21 Kg
Width	340 mm
Length	465 mm

## PERFORMANCE

### TESTED CONDITIONS

Tested Refrigerant	R-134a
Tested Application	HBP
Tested Standard	EN13215_SH10

### RATED POINTS

Ambient Temperature °C	Evaporating Temperature °C	Cooling Capacity W	Efficiency W/W	Consumo de Potencia W
32	-10	608	1.54	395

Test Condition: Subcooling 3 K.

### PERFORMANCE CURVE

Ambient Temperature 25°C

Evaporating Temperature °C	Cooling Capacity W	Efficiency W/W	Consumo de Potencia W
-15	539	1.54	351
-5	835	1.98	422
0	1013	2.17	466
5	1206	2.35	514
10	1412	2.50	564

Test Condition: Subcooling 3 K.

### PERFORMANCE CURVE

Ambient Temperature 32°C

Evaporating Temperature °C	Cooling Capacity W	Efficiency W/W	Consumo de Potencia W
-15	488	1.35	361
-5	751	1.72	436
0	914	1.90	481
5	1093	2.06	530
10	1285	2.21	580

Test Condition: Subcooling 3 K.

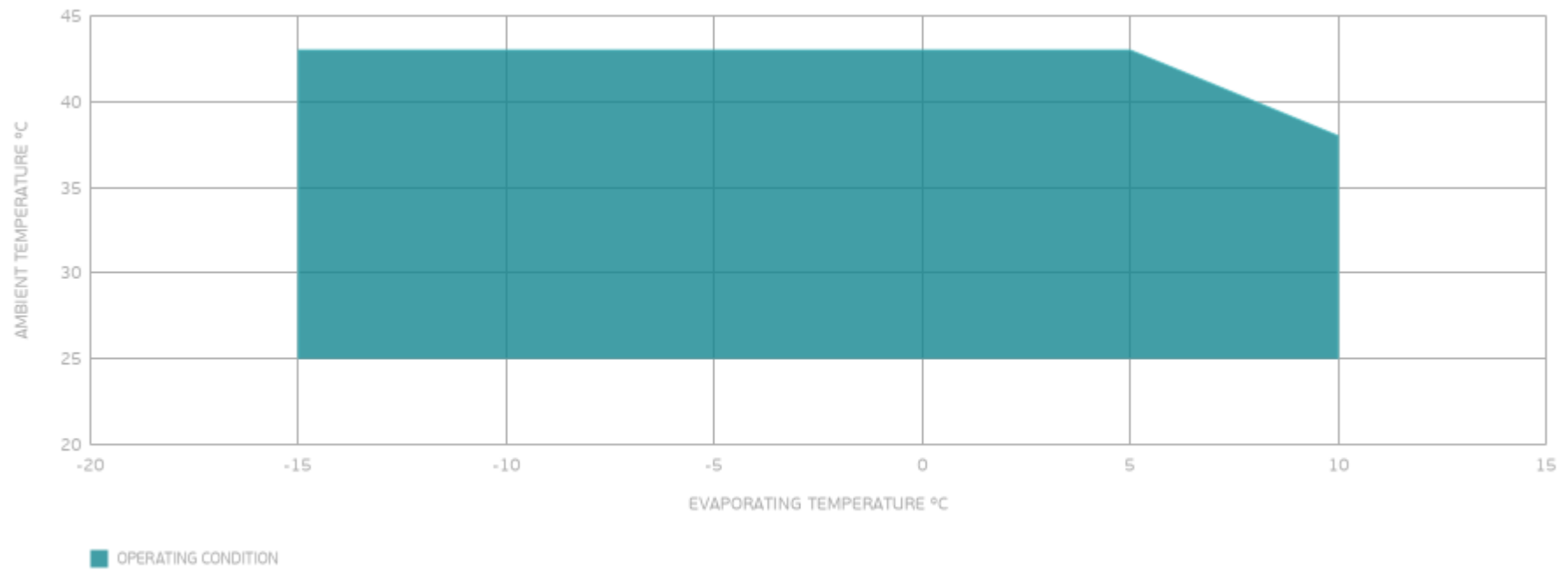
## PERFORMANCE CURVE

Ambient Temperature 43°C

Evaporating Temperature °C	Cooling Capacity W	Efficiency W/W	Consumo de Potencia W
-15	400	1.05	380
-5	624	1.35	463
0	768	1.50	512
5	931	1.65	564

Test Condition: Subcooling 3 K.

## ENVELOPE



## EXTERNAL DIMENSIONS

