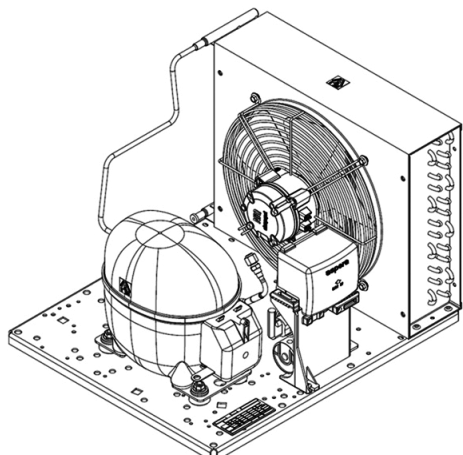


UNEU6214U



ENGINEERING CODE
662GAE404AA



POWER SUPPLY
220-240 V 50 Hz



MOTOR TYPE
CSR



REFRIGERANT
R-290



APPLICATION
HBP



STANDARD
EN13215_RG20

CE

ECODESIGN COMPLIANT



COOLING CAPACITY
1016 W



EFFICIENCY
2.23 W/W

DATA

GENERAL DATA

Model UNEU6214U

ACCESSORIES

Discharge valve SOLDER 1/4" 2110086

Suction valve SOLDER 3/8" 2110060

CONDENSING COMPONENTS

Compressor NEU6214U M/HBP

Condenser 3R15T 2451263

Refrigerant R-290

Expansion Device C-V

Fan Blade Diameter 254

MECHANICAL DATA

Air Flow 747 m³/h

Height 319 mm

Receiver 0.3 L

Weight 21 Kg

Width 395 mm

Length 470 mm

PERFORMANCE

TESTED CONDITIONS

Tested Refrigerant	R-290
Tested Application	HBP
Tested Standard	EN13215_RG20

RATED POINTS

Ambient Temperature °C	Evaporating Temperature °C	Cooling Capacity W	Efficiency W/W	Consumo de Potencia W
32	-10	1016	2.23	456

Test Condition: Subcooling 3 K, Return Gas 20 °C.

PERFORMANCE CURVE

Ambient Temperature 25°C

Evaporating Temperature °C	Cooling Capacity W	Efficiency W/W	Consumo de Potencia W
-20	772	2.11	366
-15	926	2.33	398
-5	1300	2.81	463
0	1515	3.04	499
5	1743	3.24	538
10	1982	3.41	582

Test Condition: Subcooling 3 K, Return Gas 20 °C.

PERFORMANCE CURVE

Ambient Temperature 32°C

Evaporating Temperature °C	Cooling Capacity W	Efficiency W/W	Consumo de Potencia W
-20	705	1.83	386
-15	850	2.02	421
-5	1200	2.44	493
0	1400	2.63	532
5	1612	2.80	576
10	1832	2.94	624

Test Condition: Subcooling 3 K, Return Gas 20 °C.

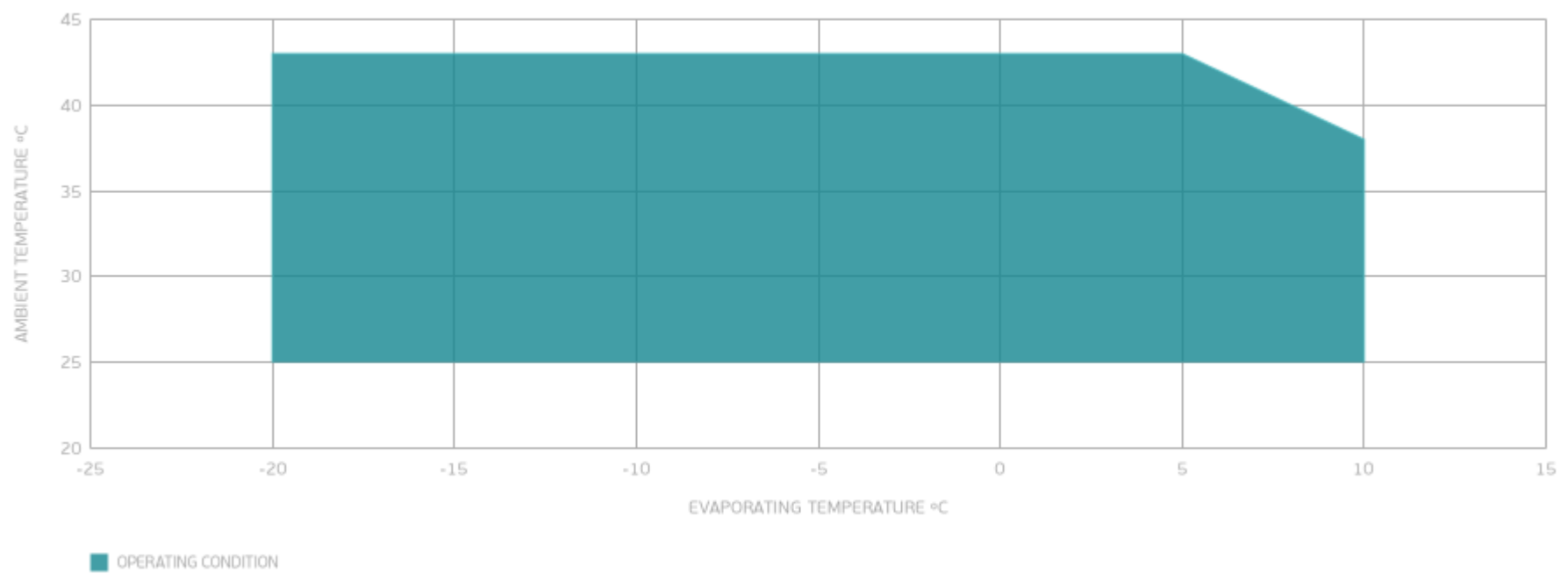
PERFORMANCE CURVE

Ambient Temperature 43°C

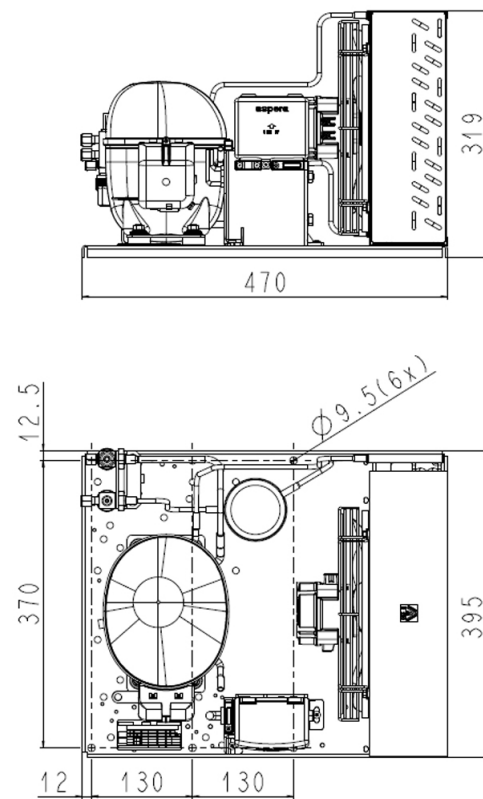
Evaporating Temperature °C	Cooling Capacity W	Efficiency W/W	Consumo de Potencia W
-20	604	1.46	413
-15	733	1.62	454
-5	1042	1.93	539
0	1216	2.08	586
5	1400	2.20	637

Test Condition: Subcooling 3 K, Return Gas 20 °C.

ENVELOPE



EXTERNAL DIMENSIONS



WIRING DIAGRAM

