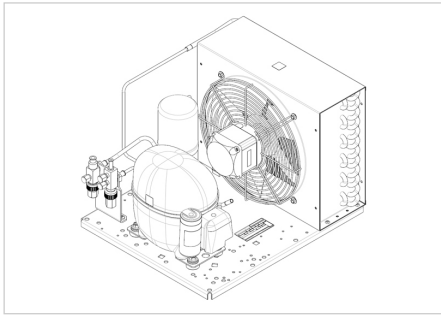


MODEL

**UNEU6215GK**

embraco



CE

**ENGINEERING CODE**  
669NA8212AA

**APPROVED REFRIGERANT**  
R449A

**POWER SUPPLY**  
220 - 240V 50Hz ~

**STANDARD CONDITIONS**  
EN13215\_SH10

**APPLICATION**  
M/HBP

**COOLING CAPACITY**  
903 W

**EFFICIENCY**  
1.43 W/W

DATA

## General Data

|              |                   |
|--------------|-------------------|
| Weight       | 29 Kg             |
| Receiver     | 1.1 L             |
| Height       | 324 mm            |
| Length       | 480 mm            |
| Width        | 395 mm            |
| Power Supply | 220 - 240 V 50 Hz |

## Electrical Data

|                             |        |
|-----------------------------|--------|
| Motor Type                  | CSIR   |
| Locked Rotor Amperage (LRA) | 22 A   |
| Max Current                 | 5.23 A |

## Components

|                 |                               |             |
|-----------------|-------------------------------|-------------|
| Condenser       | 3R12T                         | 2451218     |
| Compressor      | NEU6215GK                     | 959NA51..AN |
| Fan Kit         | 34W 275/31/5B (W)             | 1996588     |
| Electrical Kit  | ELKOM NEU6215GK 220-240V 50HZ | 959NA51M1A  |
| Valve Suction   | FLARE 3/8" SAE (2)            | 2110059     |
| Valve Discharge | FLARE 1/4" SAE (3)            | 2110085     |

## Fan Motor

|                |                       |
|----------------|-----------------------|
| Number         | 1                     |
| Shaft Power    | 34 W                  |
| Air Flow       | 640 m <sup>3</sup> /h |
| Blade diameter | 275 mm                |

### PERFORMANCE

## Rated Points

| Ambient Temperature | Cooling Capacity | Power Consumption | Current | Efficiency |
|---------------------|------------------|-------------------|---------|------------|
| 32.00°C             | 903 W            | 631 W             | 3.87 A  | 1.43 W/W   |

Test Condition: EN13215\_SH10, Return Gas 0 °C, Subcooling 0K , Evaporation -10.00°C, Condensing 0 °C, Ambient 32.00°C

## Performance Curve Data

Ambient Temperature 25°C

| Evaporating Temperature °C | Cooling Capacity W | Power Consumption W | Current A | Efficiency W/W |
|----------------------------|--------------------|---------------------|-----------|----------------|
| -20                        | 608                | 495                 | 3.38      | 1.23           |
| -15                        | 793                | 553                 | 3.57      | 1.43           |
| -10                        | 989                | 615                 | 3.78      | 1.61           |
| -5                         | 1206               | 683                 | 4.03      | 1.77           |
| 0                          | 1450               | 756                 | 4.31      | 1.92           |
| 5                          | 1729               | 833                 | 4.62      | 2.07           |
| 10                         | 2052               | 917                 | 4.97      | 2.24           |

Test Condition: EN13215\_SH10, M/HBP

### Ambient Temperature 32°C

| Evaporating Temperature °C | Cooling Capacity W | Power Consumption W | Current A | Efficiency W/W |
|----------------------------|--------------------|---------------------|-----------|----------------|
| -20                        | 523                | 521                 | 3.49      | 1              |
| -15                        | 709                | 572                 | 3.66      | 1.24           |
| -10                        | 903                | 631                 | 3.87      | 1.43           |
| -5                         | 1115               | 700                 | 4.12      | 1.59           |
| 0                          | 1352               | 776                 | 4.43      | 1.74           |
| 5                          | 1622               | 862                 | 4.77      | 1.88           |
| 10                         | 1933               | 957                 | 5.17      | 2.02           |

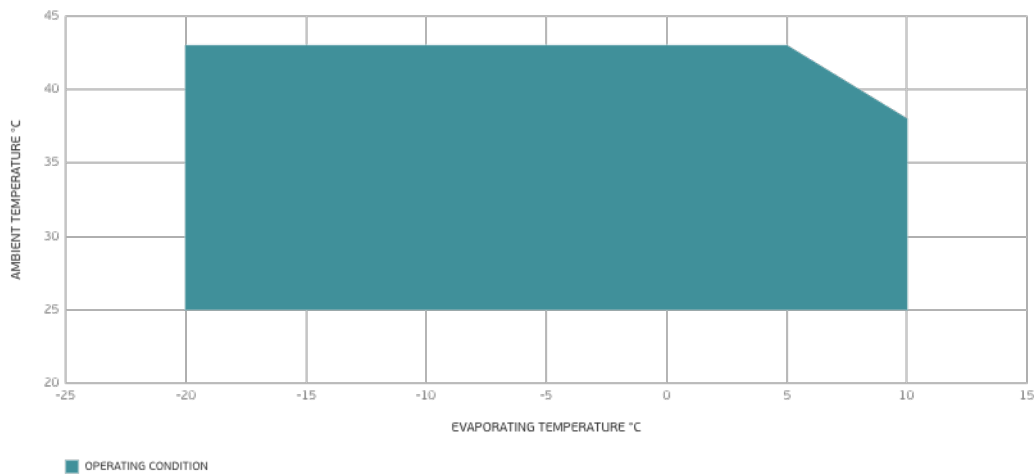
Test Condition: EN13215\_SH10, M/HBP

### Ambient Temperature 43°C

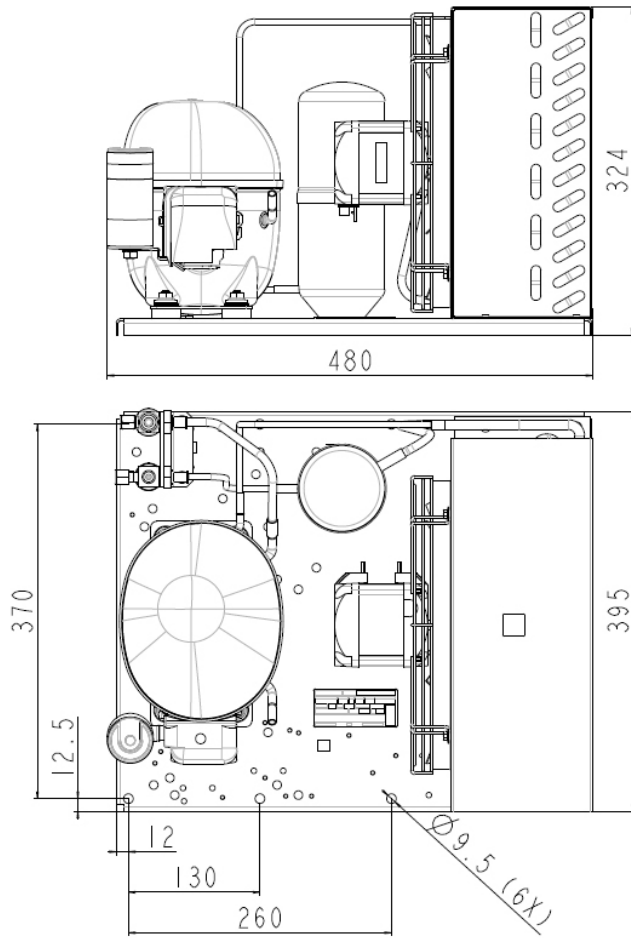
| Evaporating Temperature °C | Cooling Capacity W | Power Consumption W | Current A | Efficiency W/W |
|----------------------------|--------------------|---------------------|-----------|----------------|
| -20                        | 428                | 545                 | 3.5       | 0.79           |
| -15                        | 599                | 595                 | 3.7       | 1.01           |
| -10                        | 776                | 659                 | 3.97      | 1.18           |
| -5                         | 965                | 738                 | 4.3       | 1.31           |
| 0                          | 1176               | 831                 | 4.69      | 1.41           |
| 5                          | 1415               | 939                 | 5.15      | 1.51           |
| 10                         | 1692               | 1063                | 5.69      | 1.59           |

Test Condition: EN13215\_SH10, M/HBP

### Operating Envelope



## External Dimensions



## Wiring Diagram

