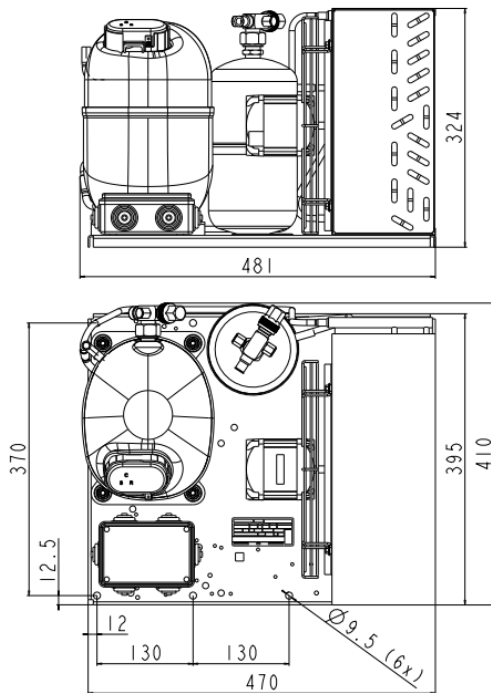


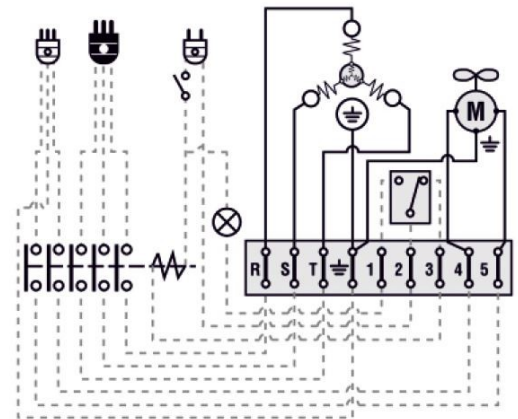
GENERAL DATA

Application:	LBP
Refrigerant:	R404A
Expansion Device:	C-V
Weight:	38.2 kg
Receiver:	2.3 liter
Voltage:	at 50 Hz 380 - 420 V
Height:	324 mm
Length:	481 mm
Width:	410 mm
Institute Approvals:	CE

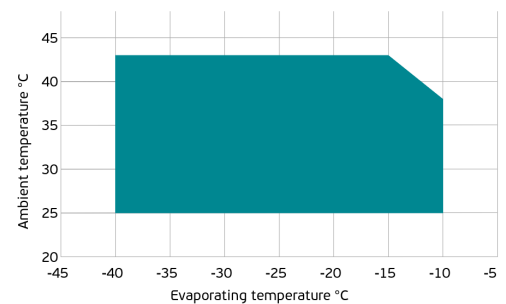
EXTERNAL DIMENSIONS



WIRING DIAGRAM



OPERATING ENVELOPE



COMPONENTS (SPARE PARTS)

Condenser:	3R12T	2451140
Valve Discharge:	3/8" SAE (3)	2110049
Fan Kit:	34W/400V 275/31°	1996582

Valve Suction:	5/8" SAE (3)	2110054
Compressor:	NJ2212GS	947AM19..AC

For additional accessories please contact our technical support

NOISE DATA

Sound power level: 72 dB (A)
Sound pressure level dB (A): 64 (at 1m) | 50 (at 5m) | 44 (at 10m)
 Maximum noise at maximum ambient temperature, 20°C return gas, configurations voltage and frequency.

ELECTRICAL DATA

Motor Type: 3PH
Locked Rotor Amperage (RLA): 13 A
Max.Current: 2.38 A
 At maximum evaporating temperature and maximum ambient temperature.

FAN MOTOR

Number: 1
Shaft Power: 34 W
Air Flow: 800 m³/hod
Blade Diameter: 275 mm

PERFORMANCE DATA

Standard: EN13215 / return gas 20°C, subcooling 3K

50 Hz

	Evaporating Temperature (°C)	Cooling Capacity (W)	Power Consumption (W)	Current Consumption (A)	Efficiency (W/W)
25°C Ambient Temperature	-10°C	2 381	1601.77	2.99	1.49
	-15°C	2 100	1410.92	2.71	1.49
	-20°C	1 820	1230.03	2.46	1.48
	-25°C	1 542	1059.11	2.25	1.46
	-30°C	1 266	898.15	2.07	1.41
	Rated point -35°C	992	747.16	1.92	1.33
	-40°C	720	606.14	1.80	1.19
32°C Ambient Temperature	-10°C	2 165	1651.31	3.08	1.31
	-15°C	1 909	1454.55	2.80	1.31
	-20°C	1 654	1268.07	2.54	1.30
	-25°C	1 402	1091.86	2.32	1.28
	-30°C	1 151	925.93	2.13	1.24
	Rated point -35°C	902	770.27	1.98	1.17
	-40°C	654	624.88	1.87	1.05
43°C Ambient Temperature	-15°C	1 566	1482.39	2.85	1.06
	-20°C	1 312	1266.26	2.55	1.04
	-25°C	1 070	1073.95	2.31	1.00
	-30°C	847	898.64	2.11	0.94
	Rated point -35°C	649	733.50	1.94	0.88
	-40°C	484	571.71	1.78	0.85