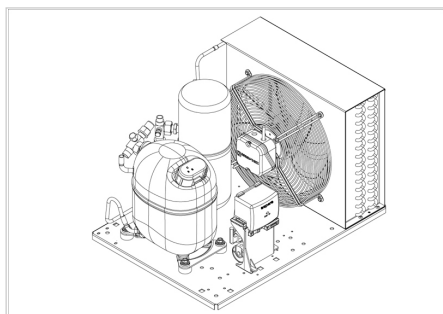


MODEL

**UNJ9238GK**

embraco



CE

**ENGINEERING CODE**

643RV5610AA

**APPROVED REFRIGERANT**

R449A

**POWER SUPPLY**

230V 50Hz ~

**STANDARD CONDITIONS**

EN13215\_SH10

**APPLICATION**

M/HBP

**COOLING CAPACITY**

2128 W

**EFFICIENCY**

1.47 W/W

DATA

**General Data**

<b>Weight</b>	46 Kg
<b>Receiver</b>	3.9 L
<b>Height</b>	372 mm
<b>Length</b>	600 mm
<b>Width</b>	440 mm
<b>Power Supply</b>	230 V 50 Hz

**Electrical Data**

<b>Motor Type</b>	CSR
<b>Locked Rotor Amperage (LRA)</b>	43 A
<b>Max Current</b>	10.1 A

**Components**

<b>Valve Suction</b>	SOLDER 5/8"	2110054
<b>Fan Kit</b>	S4E300-XX	1996589
<b>Valve Discharge</b>	SOLDER 1/2"	2110050
<b>Condenser</b>	4R14T	2451199
<b>Compressor</b>	NJ9238GK	943RV19..AC
<b>Electrical Kit</b>	ELKOM NJ9238GK	943RV1904A

## Noise Data

<b>Sound Power Level</b>	71.34 dB (A)	-	-
<b>Sound Pressure Level</b>	<b>at 1 m</b>	<b>at 5 m</b>	<b>at 10 m</b>
	63.34080301 dB (A)	49.36140292 dB (A)	43.34080301 dB (A)

## Fan Motor

<b>Number</b>	1
<b>Shaft Power</b>	95 W
<b>Air Flow</b>	1300 m <sup>3</sup> /h
<b>Blade diameter</b>	-

### PERFORMANCE

## Rated Points

Ambient Temperature	Cooling Capacity	Power Consumption	Current	Efficiency
32.00°C	2128 W	1449 W	6.9 A	1.47 W/W

Test Condition: EN13215\_SH10, Return Gas 0 °C, Subcooling OK , Evaporation -10.00°C, Condensing 0 °C, Ambient 32.00°C

## Performance Curve Data

Ambient Temperature 25°C

Evaporating Temperature °C	Cooling Capacity W	Power Consumption W	Current A	Efficiency W/W
-20	1457	1111	5.52	1.31
-15	1931	1244	5.99	1.55
-10	2428	1391	6.57	1.75
-5	2944	1558	7.27	1.89
0	3476	1750	8.11	1.99
5	4021	1969	9.11	2.04
10	4574	2220	10.29	2.06

Test Condition: EN13215\_SH10, M/HBP

### Ambient Temperature 32°C

Evaporating Temperature °C	Cooling Capacity W	Power Consumption W	Current A	Efficiency W/W
-20	1248	1154	5.72	1.08
-15	1670	1294	6.26	1.29
-10	2128	1449	6.9	1.47
-5	2619	1624	7.64	1.61
0	3140	1825	8.52	1.72
5	3686	2054	9.55	1.8
10	4256	2315	10.75	1.84

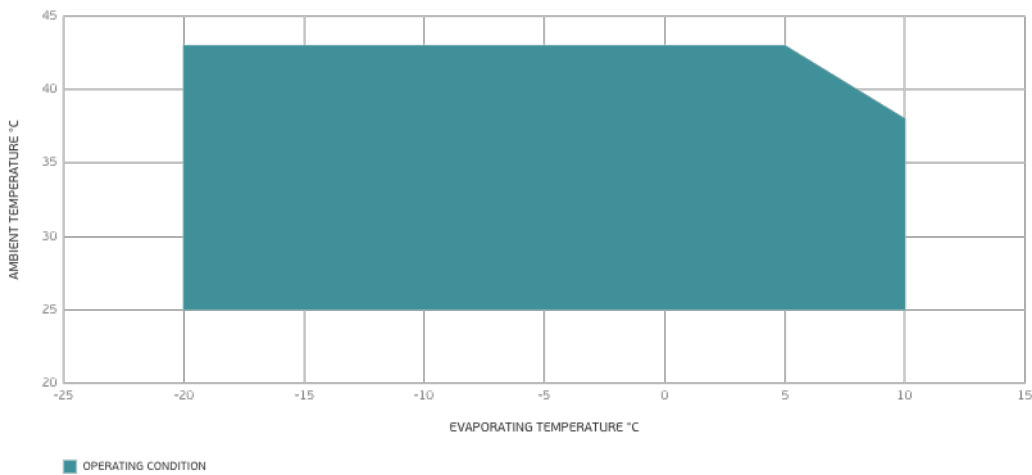
Test Condition: EN13215\_SH10, M/HBP

### Ambient Temperature 43°C

Evaporating Temperature °C	Cooling Capacity W	Power Consumption W	Current A	Efficiency W/W
-20	995	1179	5.82	0.84
-15	1377	1325	6.43	1.04
-10	1818	1488	7.12	1.22
-5	2313	1672	7.91	1.38
0	2859	1882	8.82	1.52
5	3453	2121	9.87	1.63
10	4091	2395	11.07	1.71

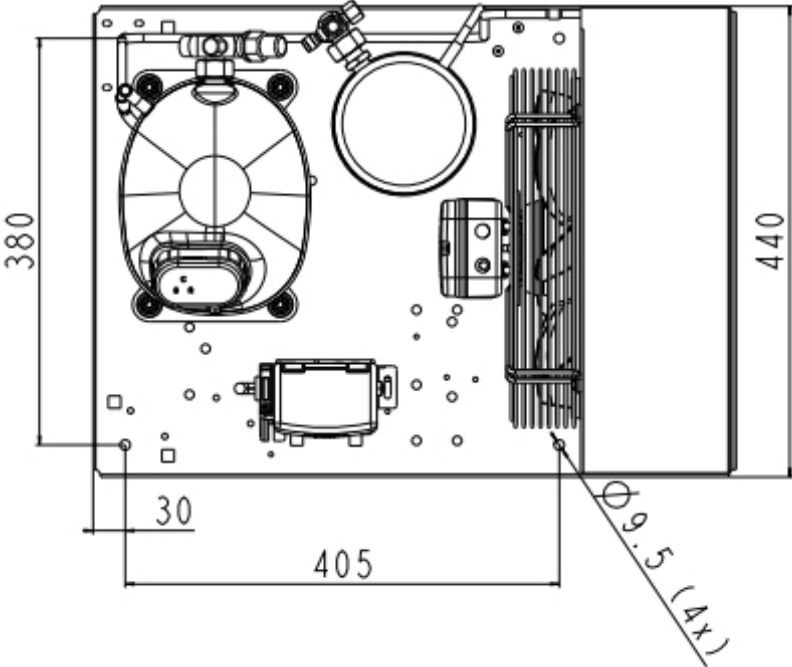
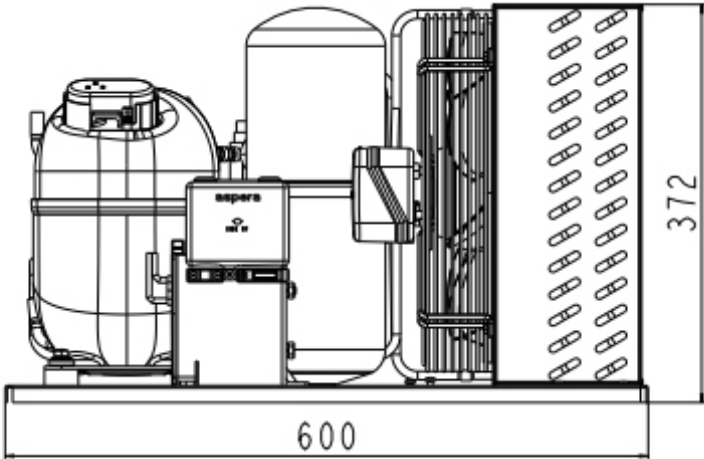
Test Condition: EN13215\_SH10, M/HBP

### Operating Envelope



■ OPERATING CONDITION

External Dimensions



Wiring Diagram

