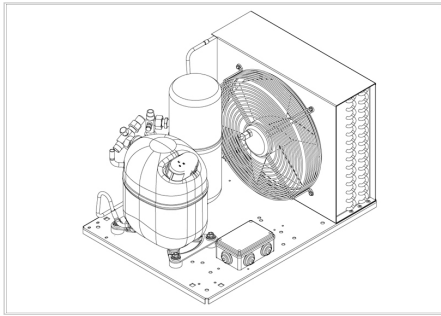


MODEL

UNJ9238GS

embraco



CE

ENGINEERING CODE
647RM5603AA

APPROVED REFRIGERANT
R449A

POWER SUPPLY
380 - 420V 50Hz ~

STANDARD CONDITIONS
EN13215_SH10

APPLICATION
M/HBP

COOLING CAPACITY
2060 W

EFFICIENCY
1.45 W/W

DATA

General Data

Weight	42 Kg
Height	372 mm
Length	600 mm
Width	440 mm
Power Supply	380 - 420 V 50 Hz

Electrical Data

Motor Type	3PH
Locked Rotor Amperage (LRA)	22 A
Max Current	4.49 A

Components

Valve Suction	SOLDER 5/8"	2110054
Valve Discharge	SOLDER 1/2"	2110050
Condenser	4R14T	2451199
Fan Kit	S4E300-XX	1996590
Compressor	NJ9238GS	947RM19..AC

Noise Data

Sound Power Level	75 dB (A)	-	-
Sound Pressure Level	at 1 m	at 5 m	at 10 m
	67 dB (A)	53 dB (A)	47 dB (A)

Fan Motor

Number	1
Shaft Power	60 W
Air Flow	1300 m ³ /h
Blade diameter	-

PERFORMANCE

Rated Points

Ambient Temperature	Cooling Capacity	Power Consumption	Current	Efficiency
32.00°C	2060 W	1420 W	3.02 A	1.45 W/W

Test Condition: EN13215_SH10, Return Gas 0 °C, Subcooling OK , Evaporation -10.00°C, Condensing 0 °C, Ambient 32.00°C

Performance Curve Data

Ambient Temperature 25°C

Evaporating Temperature °C	Cooling Capacity W	Power Consumption W	Current A	Efficiency W/W
-20	1490	1064	2.56	1.4
-15	1900	1211	2.71	1.57
-10	2345	1368	2.89	1.71
-5	2824	1540	3.1	1.83
0	3338	1729	3.35	1.93
5	3888	1939	3.64	2.01
10	4474	2173	3.97	2.06

Test Condition: EN13215_SH10, M/HBP

Ambient Temperature 32°C

Evaporating Temperature °C	Cooling Capacity W	Power Consumption W	Current A	Efficiency W/W
-20	1269	1110	2.67	1.14
-15	1644	1258	2.83	1.31
-10	2060	1420	3.02	1.45
-5	2519	1599	3.24	1.58
0	3021	1798	3.5	1.68
5	3567	2021	3.81	1.76
10	4156	2271	4.17	1.83

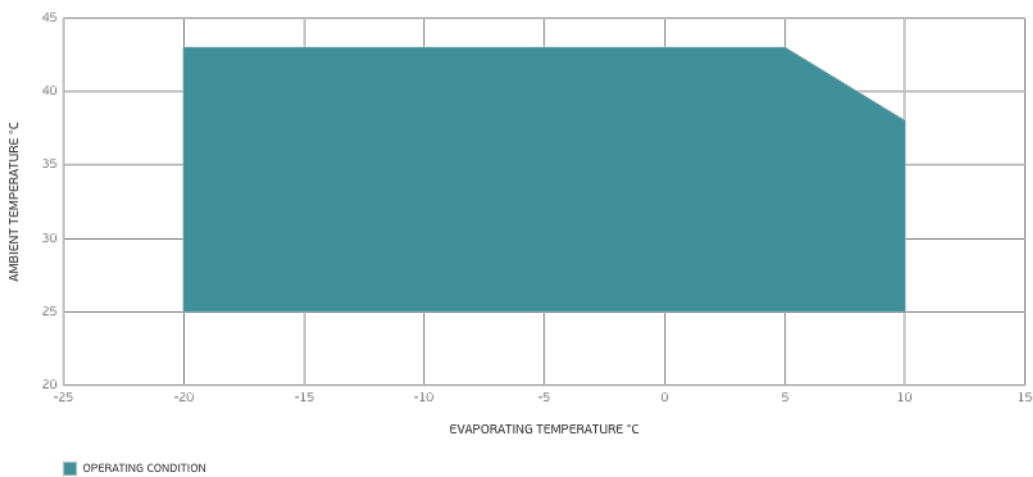
Test Condition: EN13215_SH10, M/HBP

Ambient Temperature 43°C

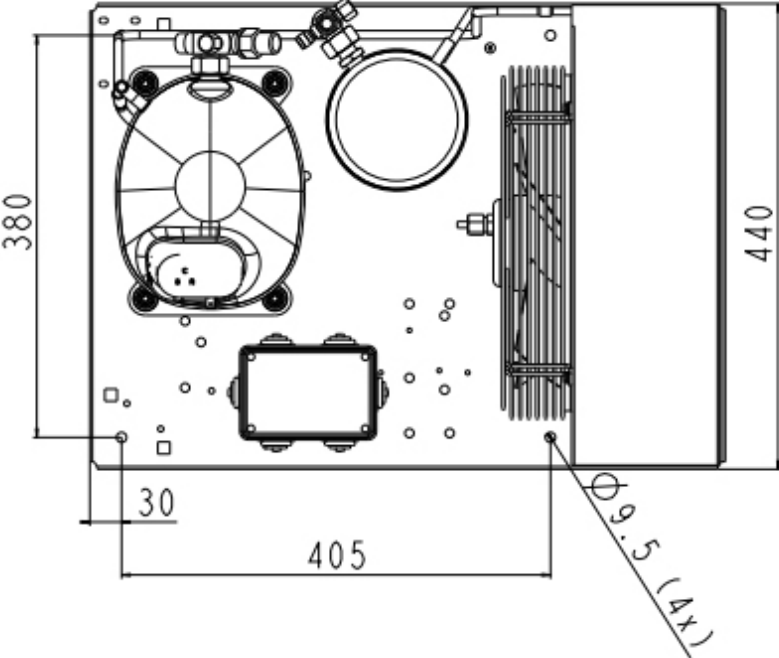
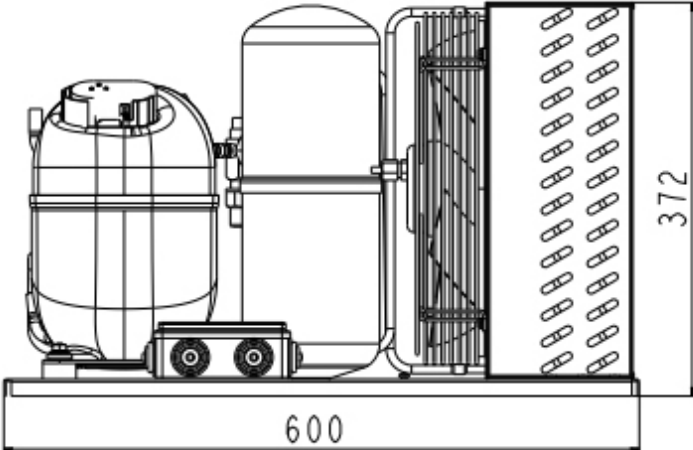
Evaporating Temperature °C	Cooling Capacity W	Power Consumption W	Current A	Efficiency W/W
-20	995	1133	2.65	0.88
-15	1303	1301	2.86	1
-10	1665	1487	3.1	1.12
-5	2083	1694	3.38	1.23
0	2555	1927	3.71	1.33
5	3083	2187	4.09	1.41
10	3668	2480	4.52	1.48

Test Condition: EN13215_SH10, M/HBP

Operating Envelope



External Dimensions



Wiring Diagram

