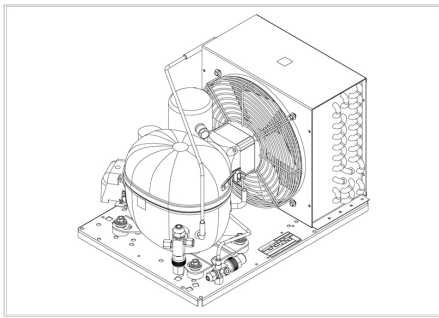


MODEL

UNT2178GK

embraco



CE

ENGINEERING CODE
502EA5212AA

APPROVED REFRIGERANT
R452A

POWER SUPPLY
220 - 240V 50Hz ~

STANDARD CONDITIONS
EN13215_SH10

APPLICATION
LBP

COOLING CAPACITY
329 W

EFFICIENCY
0.71 W/W

DATA

General Data

Weight	27.5 Kg
Receiver	1.2 L
Height	296 mm
Length	474 mm
Width	340 mm
Power Supply	220 - 240 V 50 Hz

Electrical Data

Motor Type	CSIR
Locked Rotor Amperage (LRA)	25 A
Max Current	4.24 A

Components

Valve Discharge	FLARE 1/4"	2110025
Fan Kit	16W 254/28/5B	1996579
Condenser	4R11T	2451217
Valve Suction	FLARE 3/8"	2110056
Compressor	NT2178GK	922EA09..AC
Electrical Kit	ELKOM NT2178GK	922EA0413A

Noise Data

Sound Power Level	65.04 dB (A)	-	-
Sound Pressure Level	at 1 m	at 5 m	at 10 m
	57.0382926 dB (A)	43.05889251 dB (A)	37.0382926 dB (A)

Fan Motor

Number	1
Shaft Power	16 W
Air Flow	460 m ³ /h
Blade diameter	254 mm

PERFORMANCE

Rated Points

Ambient Temperature	Cooling Capacity	Power Consumption	Current	Efficiency
32.00°C	329 W	461 W	3.58 A	0.71 W/W

Test Condition: EN13215_SH10, Return Gas 0 °C, Subcooling OK , Evaporation -35.00°C, Condensing 0 °C, Ambient 32.00°C

Performance Curve Data

Ambient Temperature 25°C

Evaporating Temperature °C	Cooling Capacity W	Power Consumption W	Current A	Efficiency W/W
-40	326	409	3.41	0.8
-35	416	467	3.57	0.89
-30	539	532	3.79	1.01
-25	694	605	4.04	1.15
-20	877	685	4.33	1.28
-15	1087	769	4.66	1.41
-10	1321	858	5.01	1.54

Test Condition: EN13215_SH10, LBP

Ambient Temperature 32°C

Evaporating Temperature °C	Cooling Capacity W	Power Consumption W	Current A	Efficiency W/W
-40	256	395	3.4	0.65
-35	329	461	3.58	0.71
-30	430	537	3.82	0.8
-25	559	621	4.11	0.9
-20	711	712	4.44	1
-15	886	809	4.81	1.09
-10	1081	911	5.22	1.19

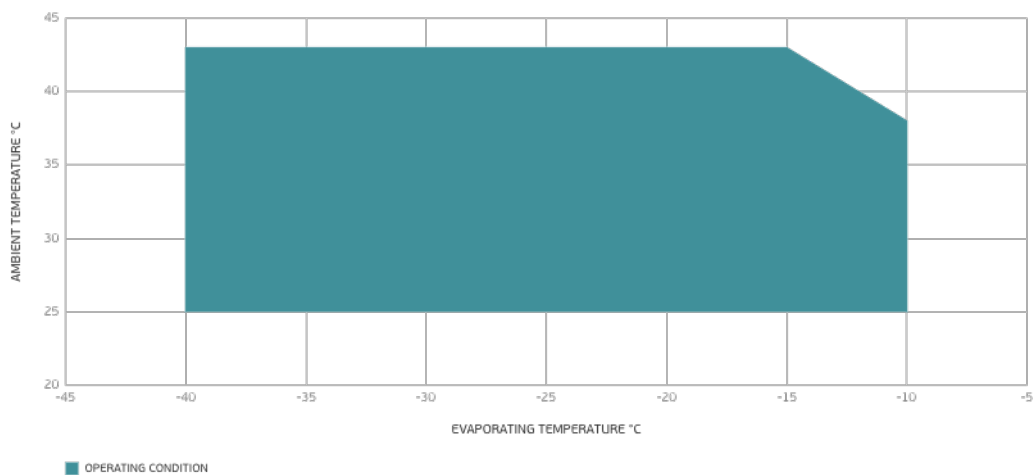
Test Condition: EN13215_SH10, LBP

Ambient Temperature 43°C

Evaporating Temperature °C	Cooling Capacity W	Power Consumption W	Current A	Efficiency W/W
-40	162	389	3.33	0.42
-35	228	461	3.52	0.49
-30	316	543	3.78	0.58
-25	424	635	4.1	0.67
-20	550	734	4.48	0.75
-15	691	841	4.91	0.82
-10	845	953	5.38	0.89

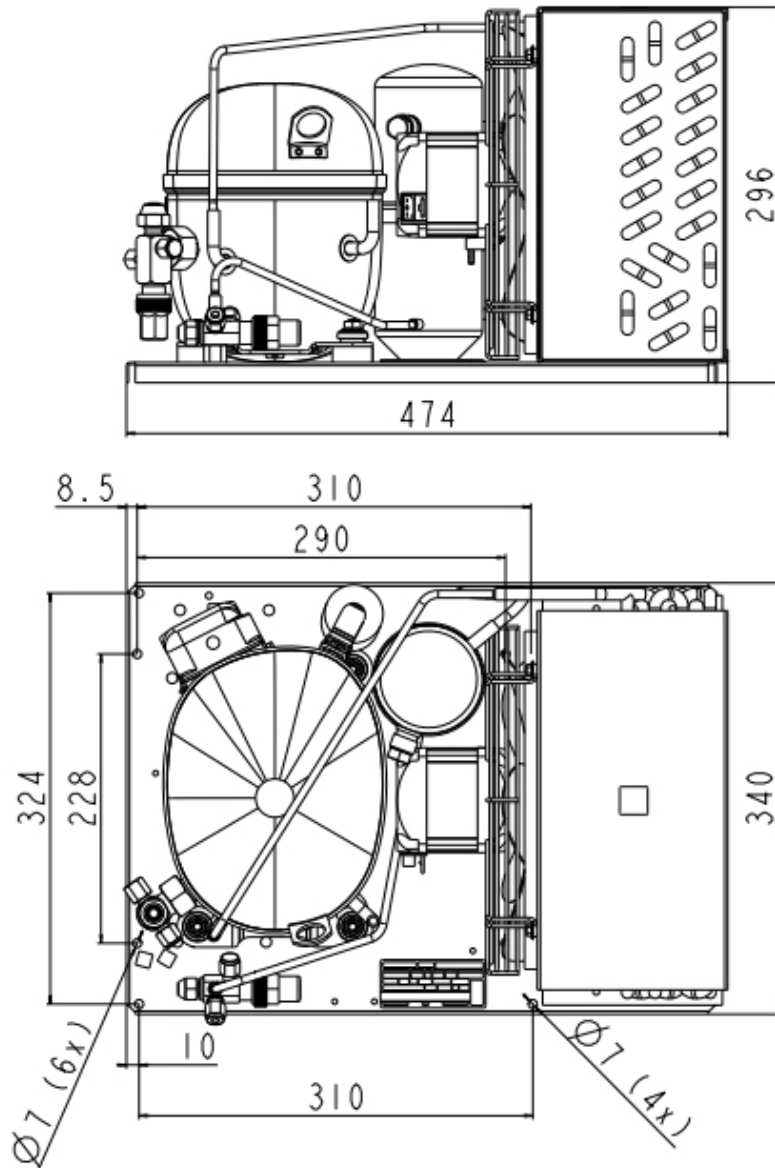
Test Condition: EN13215_SH10, LBP

Operating Envelope



■ OPERATING CONDITION

External Dimensions



Wiring Diagram

