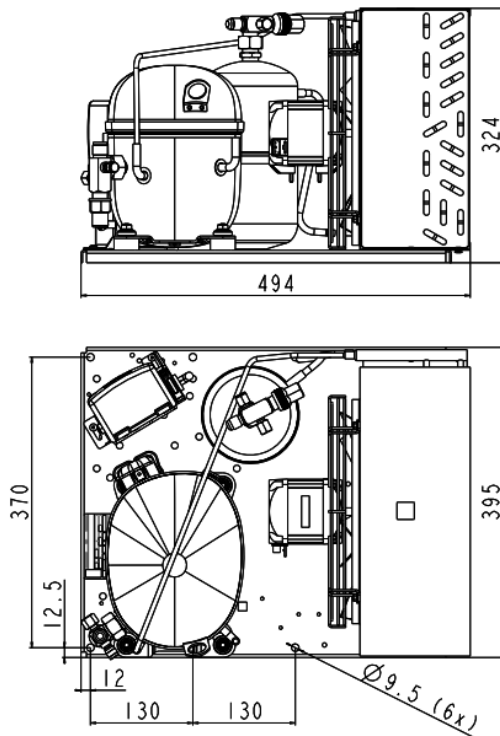


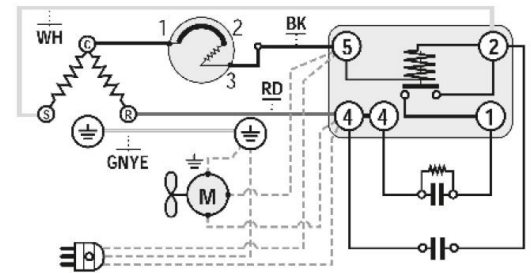
GENERAL DATA

Application:	LBP
Refrigerant:	R404A
Expansion Device:	C-V
Weight:	32.5 kg
Receiver:	2.3 liter
Voltage:	at 50 Hz 220 - 240 V
Height:	324 mm
Length:	494 mm
Width:	395 mm
Institute Approvals:	CE

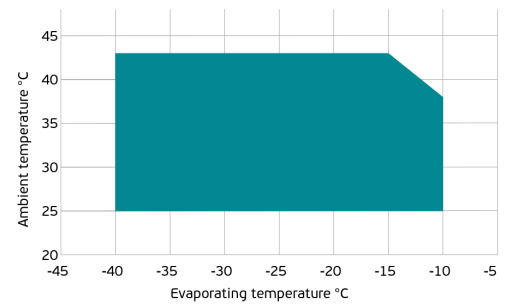
EXTERNAL DIMENSIONS



WIRING DIAGRAM



OPERATING ENVELOPE



COMPONENTS (SPARE PARTS)

Condenser:	3R12T	2451140
Valve Discharge:	3/8" SAE (3)	2110049
Compressor:	NT2192GKV	923DA09..AC

Fan Kit:	34W 275/31°/5B	1996583
Valve Suction:	1/2" SAE (3)	2110050
Electrical Kit:	ELKOM NT2192GKV	923DA0904AF

For additional accessories please contact our technical support

NOISE DATA

Sound power level: 68 dB (A)

Sound pressure level dB (A):
60 (at 1m) | 46 (at 5m) | 40 (at 10m)

Maximum noise at maximum ambient temperature,
20°C return gas, configurations voltage and frequency.

ELECTRICAL DATA

Motor Type: CSR

Locked Rotor Amperage (RLA): 35 A

Max.Current: 4.21 A
At maximum evaporating temperature and maximum ambient temperature.

FAN MOTOR

Number: 1
Shaft Power: 34 W
Air Flow: 800 m³/hod
Blade Diameter: 275 mm

PERFORMANCE DATA

Standard: EN13215 / return gas 20°C, subcooling 3K

50 Hz

	Evaporating Temperature (°C)	Cooling Capacity (W)	Power Consumption (W)	Current Consumption (A)	Efficiency (W/W)
25°C Ambient Temperature	-10°C	2 010	1100.69	6.40	1.83
	-15°C	1 629	988.51	5.96	1.65
	-20°C	1 335	890.16	5.57	1.50
	-25°C	1 097	799.05	5.23	1.37
	-30°C	881	708.62	4.92	1.24
	Rated point -35°C	654	612.29	4.63	1.07
	-40°C	383	503.49	4.35	0.76
32°C Ambient Temperature	-10°C	1 827	1134.73	6.60	1.61
	-15°C	1 481	1019.09	6.14	1.45
	-20°C	1 214	917.69	5.74	1.32
	-25°C	997	823.76	5.39	1.21
	-30°C	801	730.53	5.07	1.10
	Rated point -35°C	594	631.23	4.77	0.94
	-40°C	349	519.09	4.47	0.67
43°C Ambient Temperature	-15°C	1 420	1086.81	6.42	1.31
	-20°C	1 213	976.16	5.95	1.24
	-25°C	970	861.91	5.51	1.13
	-30°C	739	749.72	5.12	0.99
	Rated point -35°C	572	645.24	4.80	0.89
	-40°C	518	554.12	4.57	0.93