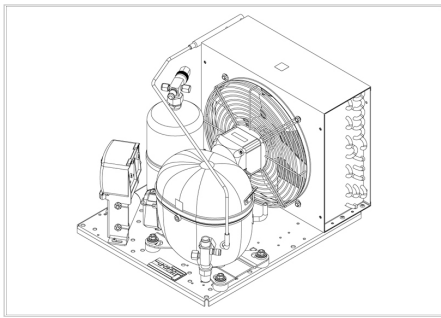


MODEL

UNT2212GK

embraco



CE

✓ **ECODESIGN
COMPLIANT**

ENGINEERING CODE
505DA5604AA

APPROVED REFRIGERANT
R452A

POWER SUPPLY
220 - 240V 50Hz ~

STANDARD CONDITIONS
EN13215_SH10

APPLICATION
LBP

COOLING CAPACITY
596 W

EFFICIENCY
0.8 W/W

DATA

General Data

Weight	34.7 Kg
Receiver	2.3 L
Height	324 mm
Length	494 mm
Width	395 mm
Power Supply	220 - 240 V 50 Hz

Electrical Data

Motor Type	CSR
Locked Rotor Amperage (LRA)	33 A
Max Current	8.7 A

Components

Compressor	NT2212GK	925DA08..AC
Condenser	3R12T	2451140
Fan Kit	34W 275/31/5B	1996583
Electrical Kit	ELKOM NT2212GK	925DA0204A
Valve Suction	SOLDER 1/2"	2110050
Valve Discharge	SOLDER 3/8"	2110049
	DOG HOUSE	1957003

Noise Data

Sound Power Level	70.3 dB (A)	-	-
Sound Pressure Level	at 1 m	at 5 m	at 10 m
	62.3 dB (A)	48.3 dB (A)	42.3 dB (A)

Fan Motor

Number	1
Shaft Power	34 W
Air Flow	800 m ³ /h
Blade diameter	275 mm

PERFORMANCE

Rated Points

Ambient Temperature	Cooling Capacity	Power Consumption	Current	Efficiency
32.00°C	596 W	742 W	4.18 A	0.8 W/W

Test Condition: EN13215_SH10, Return Gas 0 °C, Subcooling OK, Evaporation -35.00°C, Condensing 0 °C, Ambient 32.00°C

Performance Curve Data

Ambient Temperature 25°C

Evaporating Temperature °C	Cooling Capacity W	Power Consumption W	Current A	Efficiency W/W
-40	590	626	3.73	0.94
-35	719	728	4.05	0.99
-30	907	836	4.48	1.09
-25	1145	953	5	1.2
-20	1422	1081	5.6	1.32
-15	1727	1222	6.24	1.41
-10	2049	1378	6.9	1.49

Test Condition: EN13215_SH10, LBP

Ambient Temperature 32°C

Evaporating Temperature °C	Cooling Capacity W	Power Consumption W	Current A	Efficiency W/W
-40	495	631	3.84	0.78
-35	596	742	4.18	0.8
-30	753	860	4.65	0.88
-25	952	986	5.2	0.97
-20	1185	1125	5.82	1.05
-15	1439	1276	6.5	1.13
-10	1705	1444	7.2	1.18

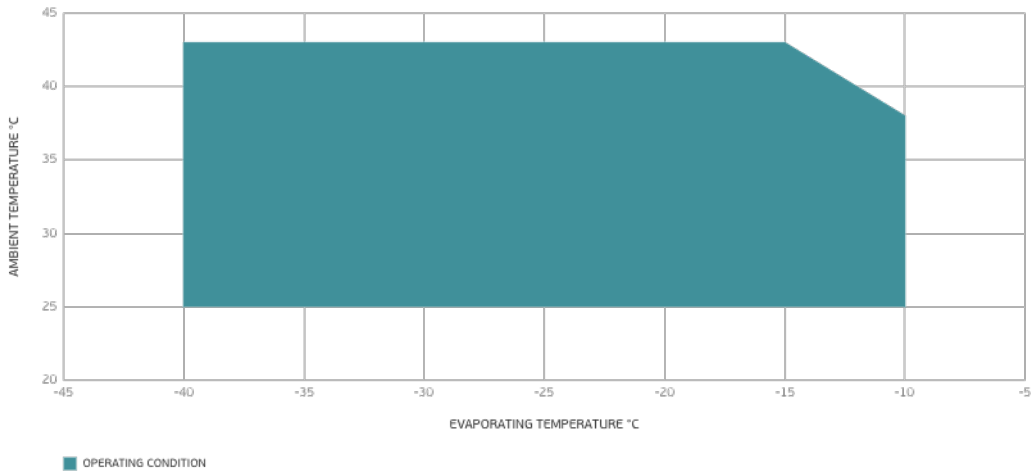
Test Condition: EN13215_SH10, LBP

Ambient Temperature 43°C

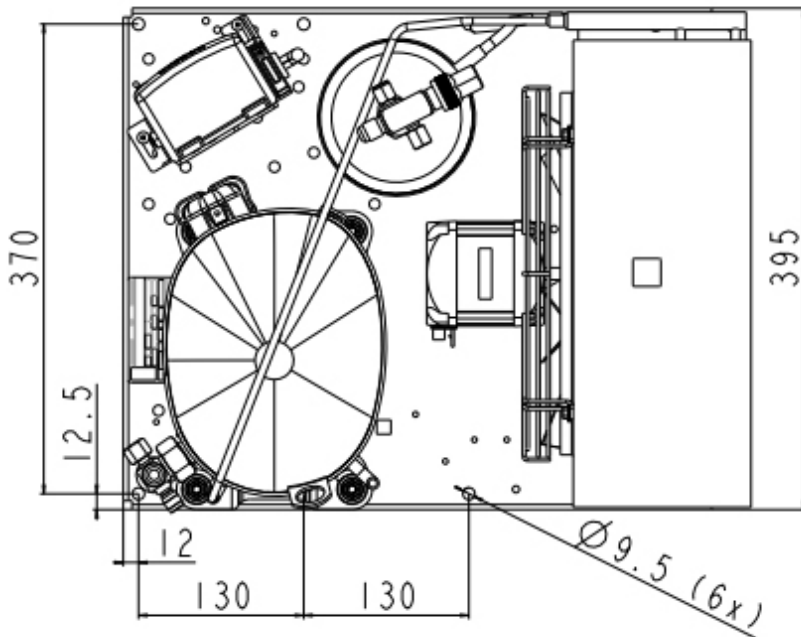
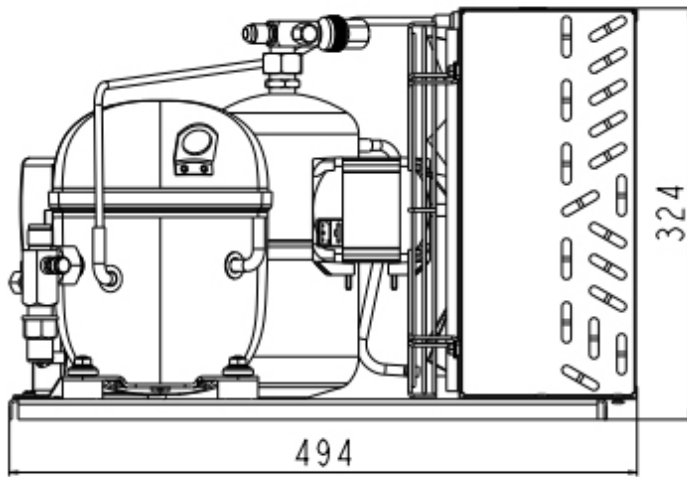
Evaporating Temperature °C	Cooling Capacity W	Power Consumption W	Current A	Efficiency W/W
-40	359	632	3.8	0.57
-35	470	747	4.15	0.63
-30	627	869	4.63	0.72
-25	817	1001	5.2	0.82
-20	1032	1145	5.85	0.9
-15	1259	1303	6.54	0.97
-10	1488	1479	7.27	1.01

Test Condition: EN13215_SH10, LBP

Operating Envelope



External Dimensions



Wiring Diagram

