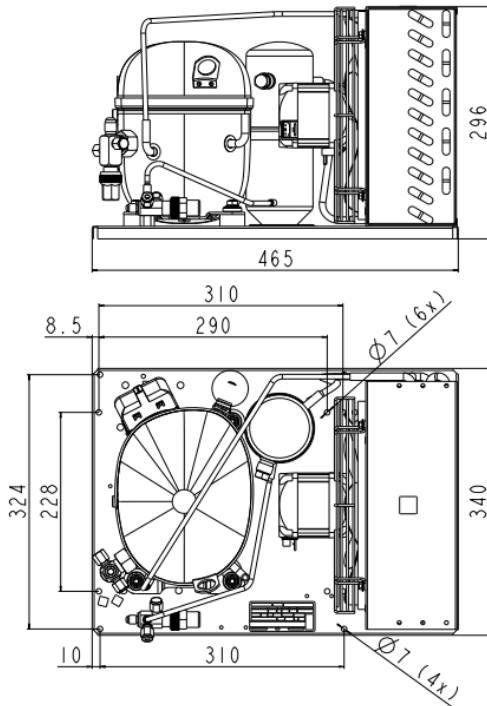


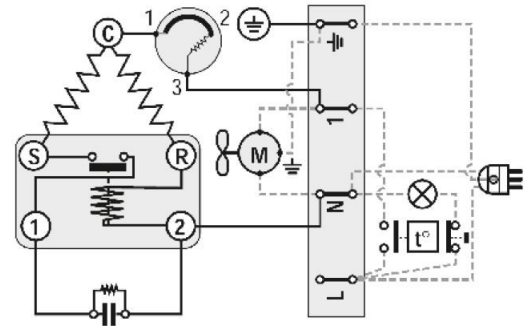
GENERAL DATA

Application:	M/HBP
Refrigerant:	R134a
Expansion Device:	C-V
Weight:	28.2 kg
Receiver:	1.2 liter
Voltage:	at 50 Hz at 60 Hz 200 - 240 V 230 V
Height:	296 mm
Length:	465 mm
Width:	340 mm
Institute Approvals:	CE

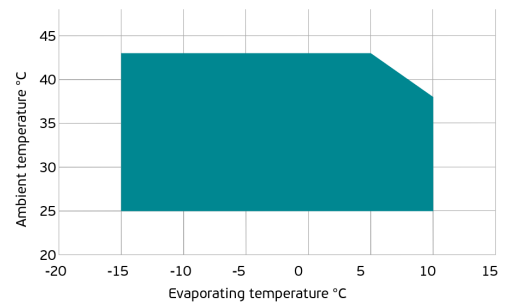
EXTERNAL DIMENSIONS



WIRING DIAGRAM



OPERATING ENVELOPE



COMPONENTS (SPARE PARTS)

Condenser:	3R11T	2451206	Valve Suction:	3/8" SAE (3)	2110056
Valve Discharge:	1/4" SAE (3)	2110025	Fan Kit:	25W 254/28°/5B	1996587
Electrical Kit:	ELKOM NT6215Z	212AN0612A	Compressor:	NT6215Z	212AN09..AC

For additional accessories please contact our technical support

NOISE DATA

Sound power level: 68 dB (A)
Sound pressure level dB (A): 60 (at 1m) | 46 (at 5m) | 40 (at 10m)
 Maximum noise at maximum ambient temperature, 20°C return gas, configurations voltage and frequency.

ELECTRICAL DATA

Motor Type: CSIR
Locked Rotor Amperage (RLA): 21 A
Max.Current: 5.52 A
 At maximum evaporating temperature and maximum ambient temperature.

FAN MOTOR

Number: 1
Shaft Power: 25 W
Air Flow: 740 m³/hod
Blade Diameter: 254 mm

PERFORMANCE DATA

Standard: EN13215 / return gas 20°C, subcooling 3K

50 Hz

	Evaporating Temperature (°C)	Cooling Capacity (W)	Power Consumption (W)	Current Consumption (A)	Efficiency (W/W)
25°C Ambient Temperature	10°C	1 839	748.74	4.46	2.46
	5°C	1 578	676.08	4.17	2.33
	0°C	1 343	611.88	3.93	2.19
	-5°C	1 128	553.64	3.73	2.04
	Rated point -10°C	926	498.87	3.55	1.86
	-15°C	733	445.07	3.38	1.65
32°C Ambient Temperature	10°C	1 672	771.90	4.60	2.17
	5°C	1 435	696.99	4.30	2.06
	0°C	1 221	630.80	4.05	1.94
	-5°C	1 025	570.76	3.84	1.80
	Rated point -10°C	842	514.30	3.66	1.64
	-15°C	666	458.84	3.48	1.45
43°C Ambient Temperature	5°C	1 238	735.68	4.46	1.68
	0°C	1 048	664.90	4.17	1.58
	-5°C	856	596.37	3.92	1.44
	Rated point -10°C	681	530.50	3.71	1.28
	-15°C	542	467.69	3.51	1.16

Standard: EN13215 / return gas 20°C, subcooling 3K

60 Hz

	Evaporating Temperature (°C)	Cooling Capacity (W)	Power Consumption (W)	Current Consumption (A)	Efficiency (W/W)
25°C Ambient Temperature	10°C	2 029	968.77	6.22	2.09
	5°C	1 781	866.33	5.78	2.06
	0°C	1 532	772.60	5.38	1.98
	-5°C	1 290	688.07	5.03	1.87
	Rated point -10°C	1 065	613.22	4.73	1.74
	-15°C	866	548.52	4.49	1.58
32°C Ambient Temperature	10°C	1 845	998.73	6.41	1.85
	5°C	1 619	893.11	5.95	1.81
	0°C	1 393	796.49	5.54	1.75
	-5°C	1 173	709.35	5.18	1.65
	Rated point -10°C	968	632.19	4.88	1.53
	-15°C	787	565.49	4.63	1.39
43°C Ambient Temperature	5°C	1 389	942.85	6.28	1.47
	0°C	1 184	844.28	5.87	1.40
	-5°C	969	752.56	5.50	1.29
	Rated point -10°C	774	670.12	5.17	1.16
	-15°C	630	599.41	4.91	1.05