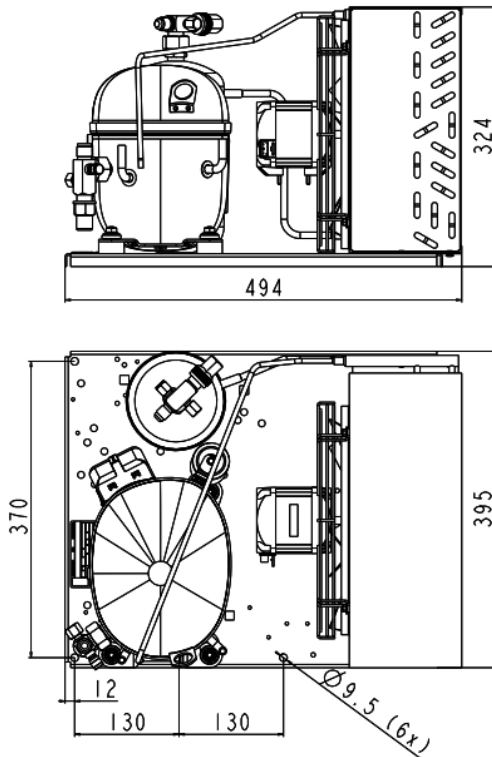


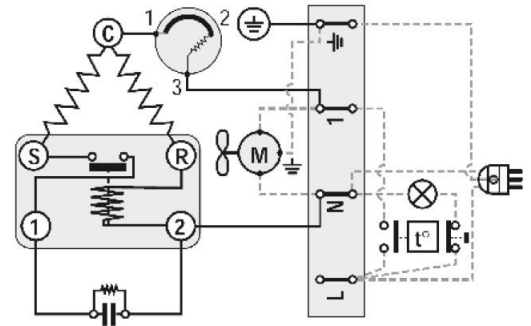
GENERAL DATA

Application:	M/HBP
Refrigerant:	R134a
Expansion Device:	C-V
Weight:	30.1 kg
Receiver:	2.3 liter
Voltage/Frequency:	220 - 240 V 50 Hz ~
Height:	324 mm
Length:	494 mm
Width:	395 mm
Institute Approvals:	CE

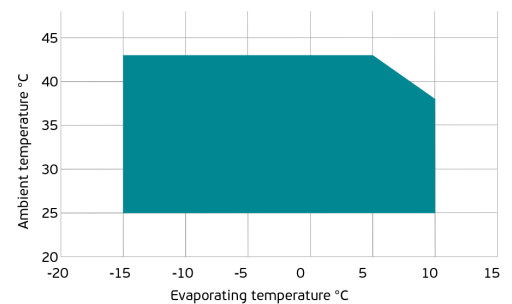
EXTERNAL DIMENSIONS



WIRING DIAGRAM



OPERATING ENVELOPE



COMPONENTS (SPARE PARTS)

Condenser:	3R12T	2451218
Valve Suction:	FLARE 1/2"	2110057
Compressor:	NT6217Z	212BA09..AC

Valve Discharge:	FLARE 3/8"	2110056
Fan Kit:	34W 275/31/5B	1996588
Electrical Kit:	ELKOM NT6217Z	212BA0412A

For additional accessories please contact our technical support

NOISE DATA

Sound power level: 68 dB (A)
Sound pressure level dB (A): 60 (at 1m) | 46 (at 5m) | 40 (at 10m)
Maximum noise at maximum ambient temperature, 20°C return gas, configurations voltage and frequency.

ELECTRICAL DATA

Motor Type: CSIR -
Locked Rotor Amperage (RLA): 25 A
Max.Current: 5.43 A
At maximum evaporating temperature and maximum ambient temperature.

FAN MOTOR

Number: 1 -
Shaft Power: 34 W
Air Flow: 640 m³/hod
Blade Diameter: 275 mm

PERFORMANCE DATA

Standard: EN13215 / return gas 20°C, subcooling 3K

50 Hz

	Evaporating Temperature (°C)	Cooling Capacity (W)	Power Consumption (W)	Current Consumption (A)	Efficiency (W/W)
25°C Ambient Temperature	10°C	2 254	896.00	5.40	2.52
	5°C	1 887	806.50	5.07	2.34
	0°C	1 566	729.00	4.80	2.15
	-5°C	1 288	660.75	4.58	1.95
	Rated point -10°C	1 050	599.00	4.40	1.75
	-15°C	850	541.00	4.23	1.57
32°C Ambient Temperature	10°C	2 049	924.00	5.57	2.22
	5°C	1 716	830.60	5.23	2.07
	0°C	1 424	751.00	4.95	1.90
	-5°C	1 171	681.40	4.73	1.72
	Rated point -10°C	955	618.00	4.54	1.55
	-15°C	773	557.00	4.37	1.39
43°C Ambient Temperature	5°C	1 449	887.60	5.45	1.63
	0°C	1 218	807.00	5.12	1.51
	-5°C	1 016	727.90	4.84	1.40
	Rated point -10°C	826	652.00	4.60	1.27
	-15°C	629	581.00	4.40	1.08